

# AlfaCrimp One-Piece Fittings - D Series



HOSES

ONE-PIECE B SERIES

ONE-PIECE D SERIES

ONE-PIECE F & P SERIES

TWO-PIECE FERRULES (A & PFR SERIES)

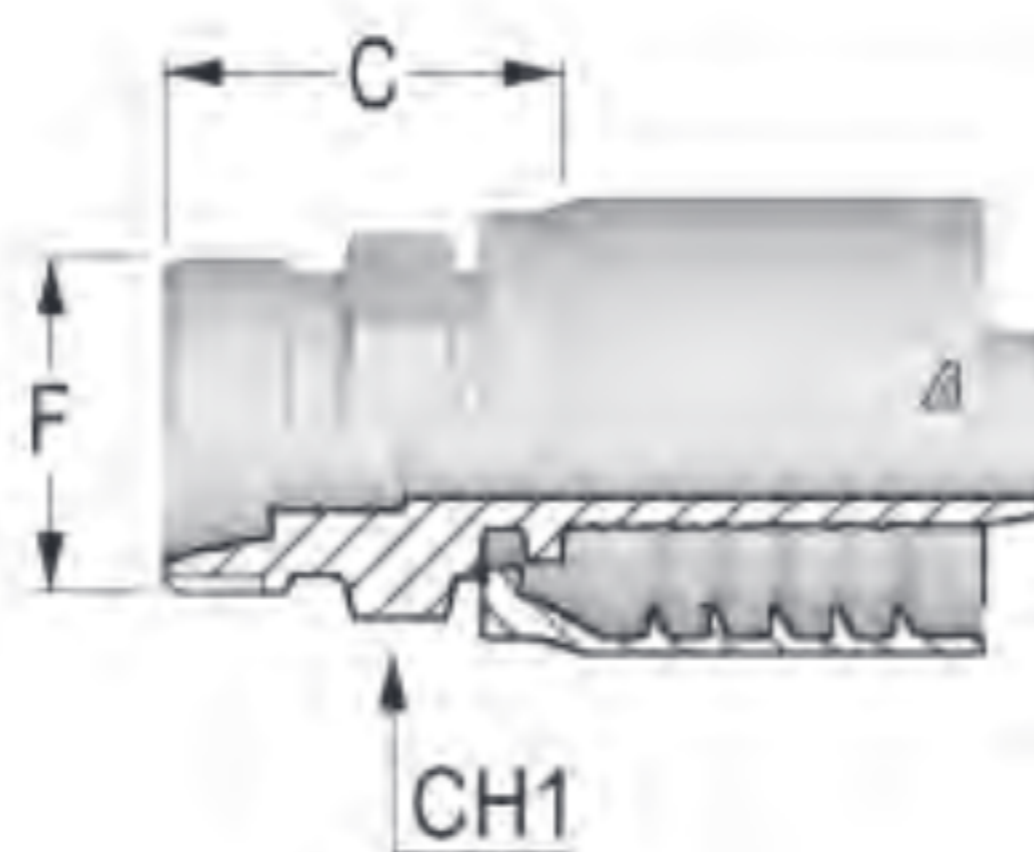
TWO-PIECE INSERTS (A SERIES)

TWO-PIECE INTERLOCK FERRULES & INSERTS (X & Z SERIES)

QUICK RELEASE

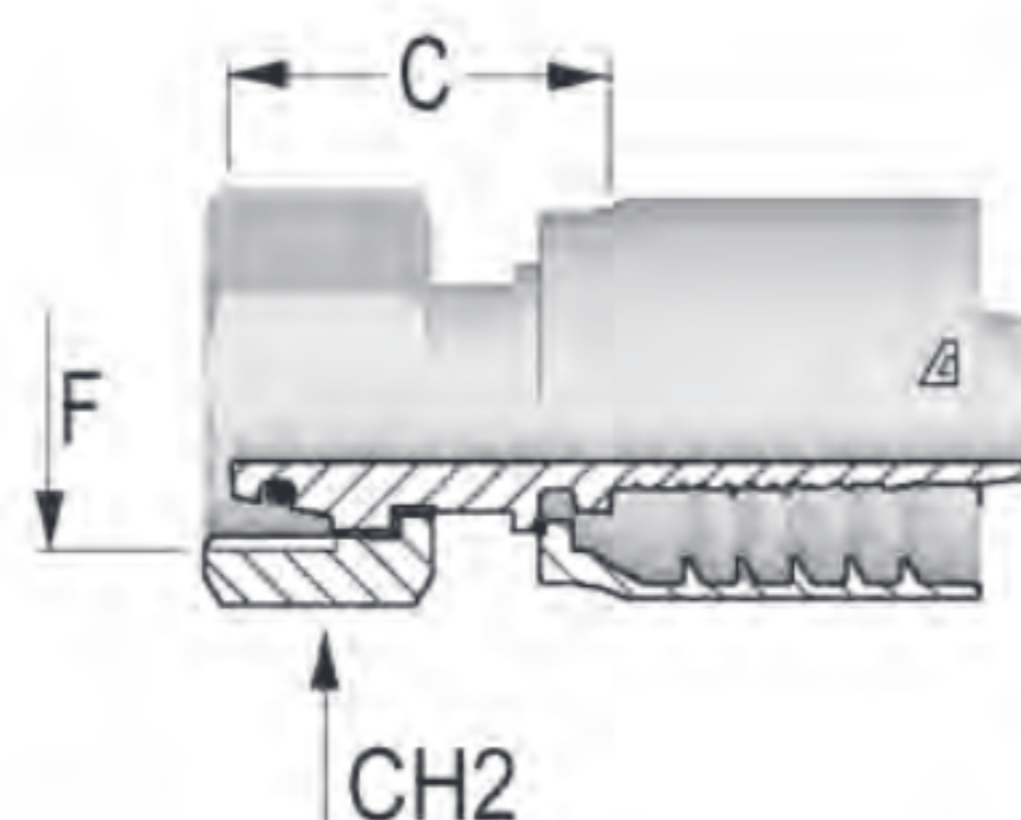
ASSEMBLY EQUIPMENT

TECHNICAL INFORMATION



## Metric Male 24° Seat DIN 3853 – Light

Part Number	Dash Size	Hose ID Size		F Thread		Tube OD (mm)	C Cut-Off Factor (mm)	CH1 (mm)	Weight (lbs/each)
		(in)	(mm)	Dash Size	Size (mm) x TP (mm)				
D-0616-MMSL	06	3/8	9.5	16	M16x1.5	10	23.3	17	0.18
D-0618-MMSL	06	3/8	9.5	18	M18x1.5	12	24.3	19	0.19
D-0622-MMSL	06	3/8	9.5	22	M22x1.5	15	25.3	22	0.22
D-0822-MMSL	08	1/2	12.7	22	M22x1.5	15	26.1	22	0.26
D-0826-MMSL	08	1/2	12.7	26	M26x1.5	18	27.1	27	0.33
D-1026-MMSL	10	5/8	15.9	26	M26x1.5	18	27.1	27	0.37
D-1230-MMSL	12	3/4	19.0	30	M30x2	22	31.6	32	0.50
D-1636-MMSL	16	1	25.4	36	M36x2	28	34.4	36	0.85
D-2045-MMSL	20	1 1/4	31.8	45	M45x2	35	40.0	46	1.29
D-2452-MMSL	24	1 1/2	38.1	52	M52x2	42	42.0	55	3.05



## Metric Swivel Female O-Ring 24° Seat DIN 3865 – Light

Part Number	Dash Size	Hose ID Size		F Thread		Tube OD (mm)	C Cut-Off Factor (mm)	CH2 (mm)	Weight (lbs/each)
		(in)	(mm)	Dash Size	Size (mm) x TP (mm)				
D-0618-FMOL	06	3/8	9.5	18	M18x1.5	12	24.3	19	0.23
D-0822-FMOL	08	1/2	12.7	22	M22x1.5	15	26.1	22	0.32
D-1026-FMOL	10	5/8	15.9	26	M26x1.5	18	27.1	27	0.45
D-1230-FMOL	12	3/4	19.0	30	M30x2	22	31.6	32	0.62
D-1636-FMOL	16	1	25.4	36	M36x2	28	34.4	36	0.96
D-2045-FMOL	20	1 1/4	31.8	45	M45x2	35	40.0	46	1.38
D-2452-FMOL	24	1 1/2	38.1	52	M52x2	42	42.0	55	2.12

Because we continually examine ways to improve our products, we reserve the right to alter specifications or discontinue products without prior notice.

