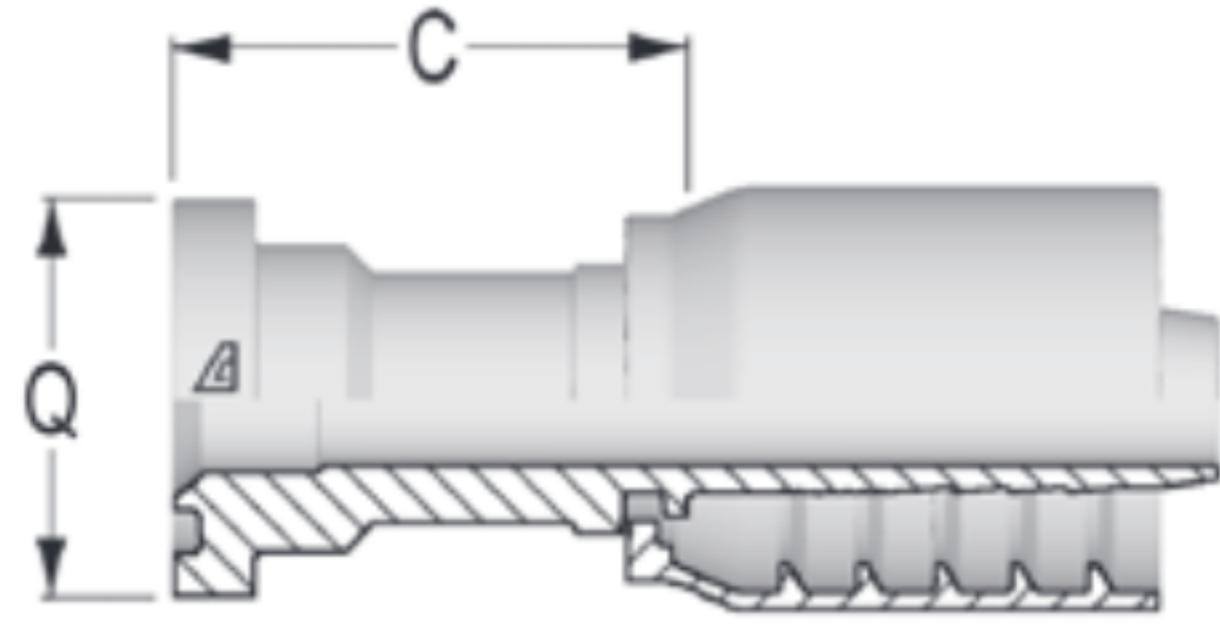


ALFAGOMMA® One-Piece AlfaCrimp Fittings – S Series



View Up To Date Info

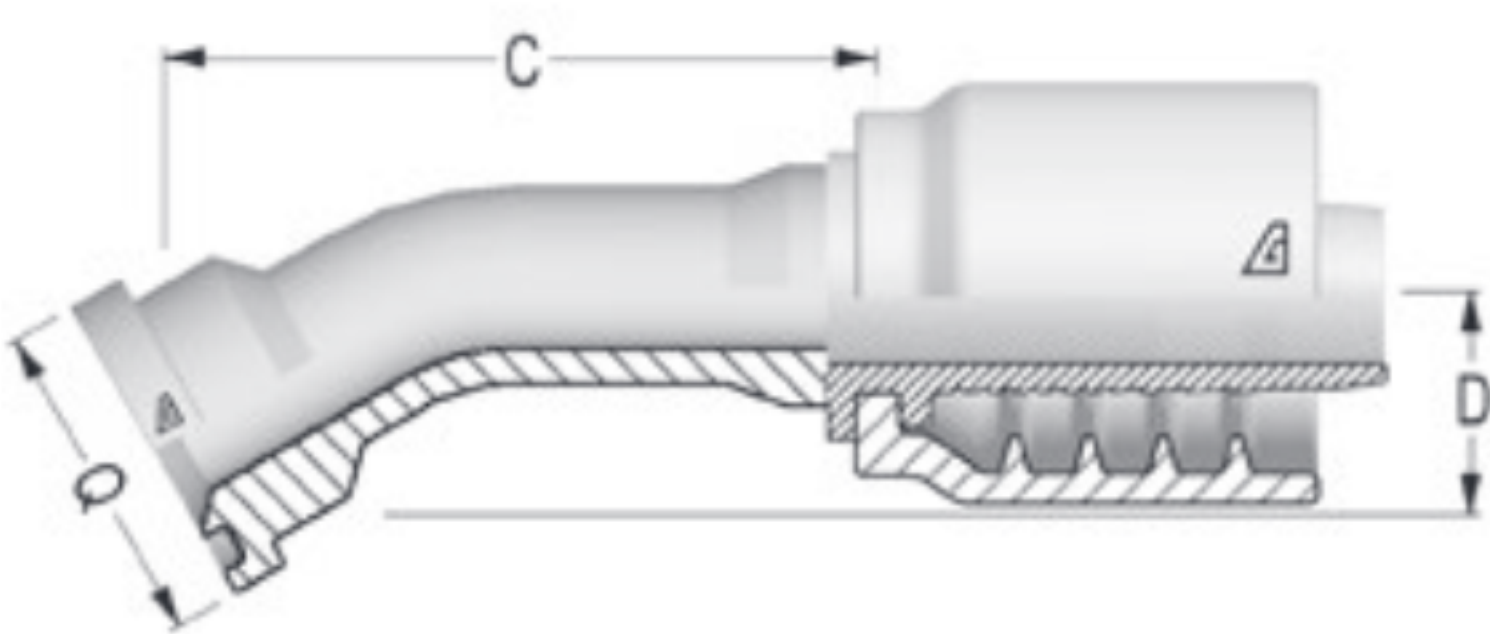


← SCAN OR VISIT
[KOA.link/
S-C61S](https://KOA.link/S-C61S)

CODE 61 FLANGE SAE J518

**Preliminary Data*

Part Number	Dash Size	Hose ID Size (in)	Hose ID Size (mm)	Q Flange (in)	Q Flange (mm)	C Cut-Off Factor (mm)	Flange Dash Size	Weight (lbs/each)
S-1212-C61S	12	3/4	19.0	1.50	38.1	39.5	12	0.70
S-1216-C61S	12	3/4	19.0	1.75	44.5	52.0	16	0.58
S-1616-C61S	16	1	25.4	1.75	44.5	54.1	16	1.19
S-1620-C61S	16	1	25.4	2.00	50.8	56.6	20	1.28
S-2020-C61S	20	1 1/4	31.8	2.00	50.8	57.5	20	1.70
S-2024-C61S	20	1 1/4	31.8	2.38	60.3	61.5	24	2.75
S-2420-C61S	24	1 1/2	38.1	2.00	50.8	55.5	20	3.10
S-2424-C61S	24	1 1/2	38.1	2.38	60.3	62.5	24	2.48
S-2432-C61S	24	1 1/2	38.1	2.81	71.4	75.0	32	5.05
S-3232-C61S	32	2	50.8	2.81	71.4	79.2	32	3.80



View Up To Date Info



← SCAN OR VISIT
[KOA.link/
S-C613](https://KOA.link/S-C613)

30° CODE 61 FLANGE SAE J518

**Preliminary Data*

Part Number	Dash Size	Hose ID Size (in)	Hose ID Size (mm)	Q Flange (in)	Q Flange (mm)	C Cut-Off Factor (mm)	D Drop (mm)	Flange Dash Size	Weight (lbs/each)
S-1212-C613	12	3/4	19.0	1.50	38.1	71.0	28.0	12	0.87
S-1616-C613	16	1	25.4	1.75	44.5	88.0	25.0	16	1.35
S-2020-C613	20	1 1/4	31.8	2.00	50.8	94.3	38.5	20	1.99

Because we continually examine ways to improve our products, we reserve the right to alter specifications or discontinue products without prior notice.