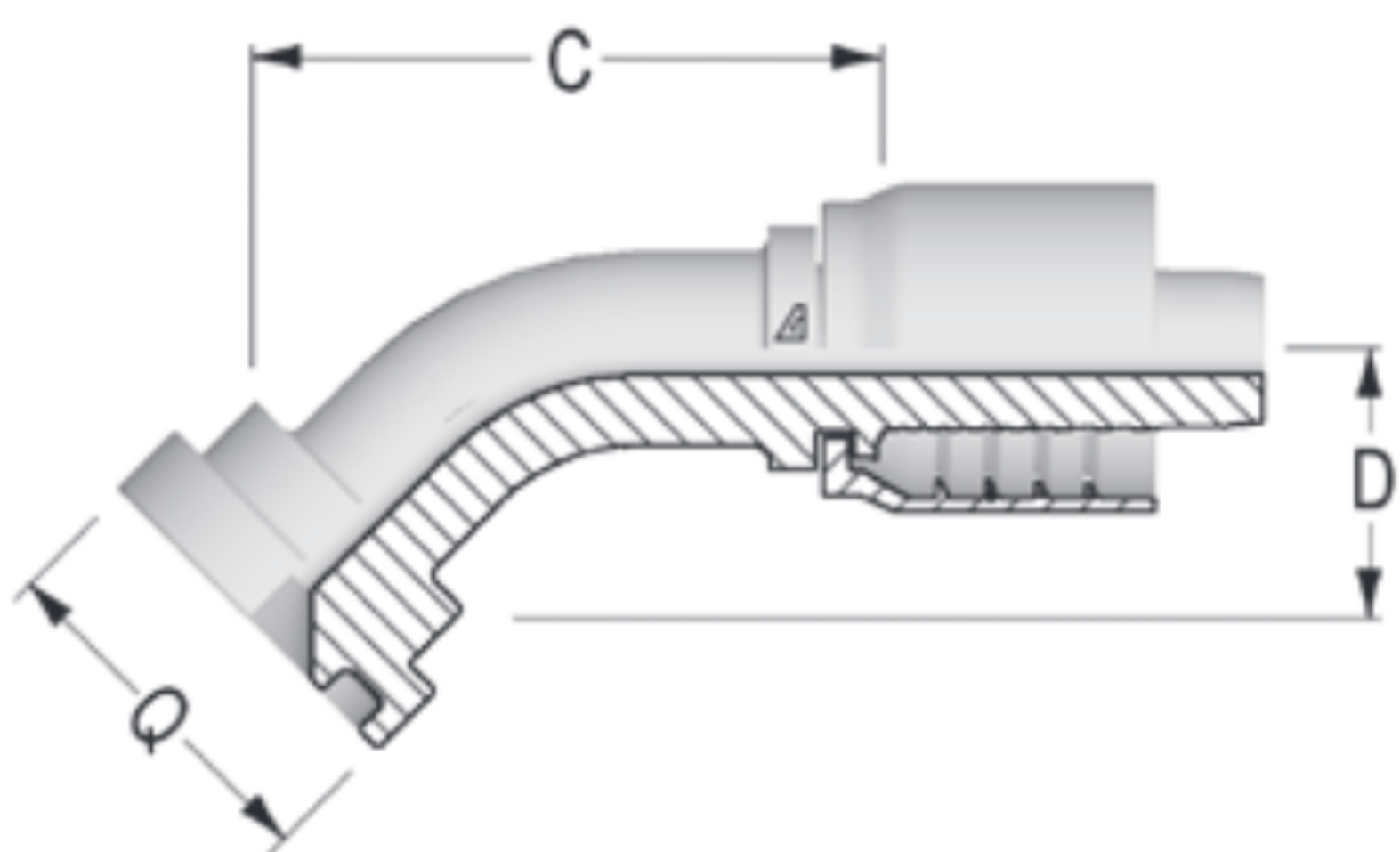


## **One-Piece AlfaCrimp Fittings – S Series**



View Up To Date Info

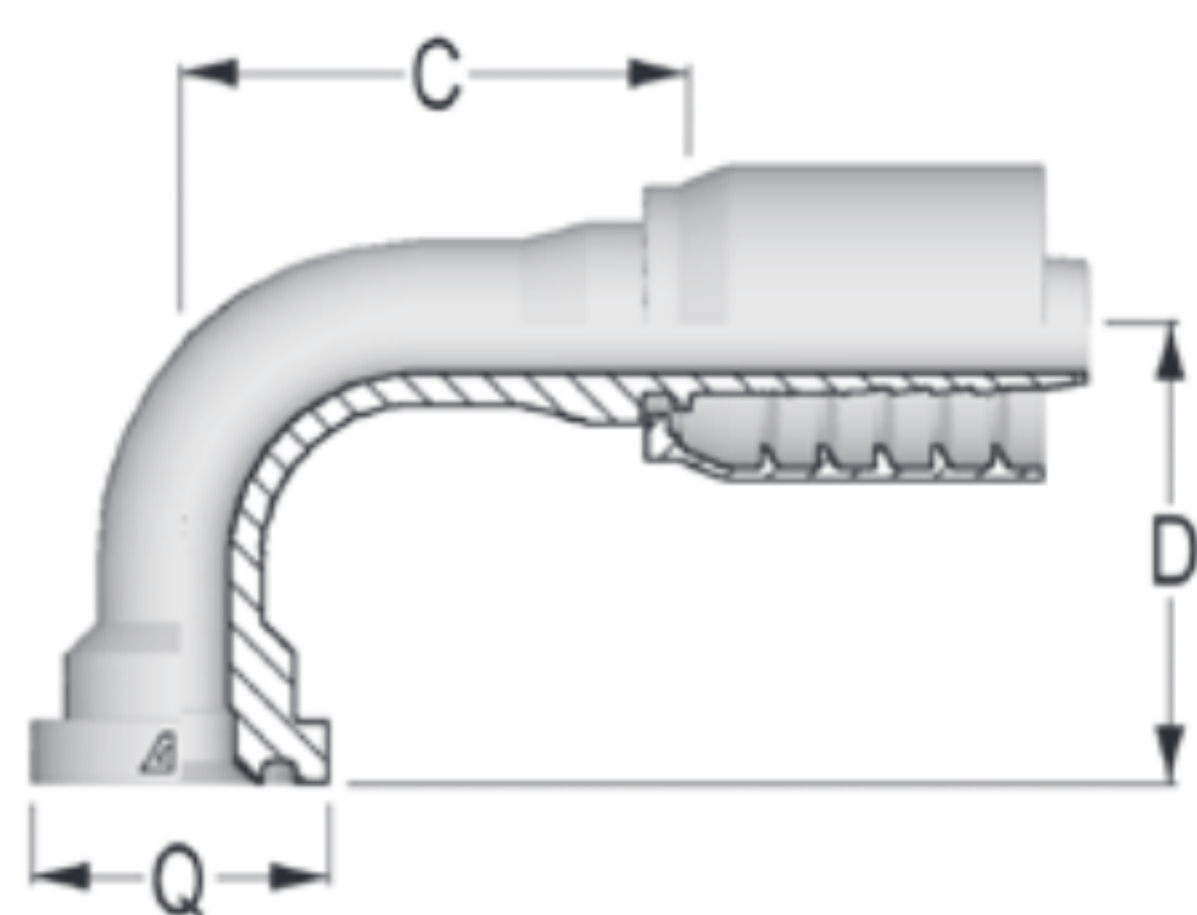


← SCAN OR VISIT  
[KOA.link/S-C614](https://KOA.link/S-C614)

### 45° CODE 61 FLANGE SAE J518

*\*Preliminary Data*

Part Number	Dash Size	Hose ID Size (in)	Hose ID Size (mm)	Q Flange Dash Size	Q Flange Size (in) - TPI	C Cut-Off Factor (mm)	D Drop (mm)	Flange Dash Size	Weight (lbs/each)
S-0812-C614	08	1/2	12.7	1.50	38.1	50.4	26.0	12	0.52
S-1212-C614	12	3/4	19.0	1.50	38.1	71.0	28.0	12	0.87
S-1216-C614	12	3/4	19.0	1.75	44.5	68.0	29.0	16	1.11
S-1616-C614	16	1	25.4	1.75	44.5	88.0	35.0	16	1.35
S-1620-C614	16	1	25.4	2.00	50.8	88.9	32.5	20	1.99
S-2020-C614	20	1 1/4	31.8	2.00	50.8	94.3	38.5	20	2.09
S-2024-C614	20	1 1/4	31.8	2.38	60.3	99.0	40.0	24	2.98
S-2424-C614	24	1 1/2	38.1	2.38	60.3	99.8	43.0	24	3.95
S-2432-C614	24	1 1/2	38.1	2.81	71.4	140.0	56.5	32	4.50
S-3232-C614	32	2	50.8	2.81	71.4	154.0	54.0	32	4.80



View Up To Date Info



← SCAN OR VISIT  
[KOA.link/S-C619](https://KOA.link/S-C619)

### 90° CODE 61 FLANGE SAE J518

*\*Preliminary Data*

Part Number	Dash Size	Hose ID Size (in)	Hose ID Size (mm)	Q Flange Dash Size	Q Flange Size (in) - TPI	C Cut-Off Factor (mm)	D Drop (mm)	Flange Dash Size	Weight (lbs/each)
S-0812-C619	08	1/2	12.7	1.50	38.1	45.3	51.0	12	0.52
S-1212-C619	12	3/4	19.0	1.50	38.1	65.0	58.0	12	1.00
S-1216-C619	12	3/4	19.0	1.75	44.5	66.2	64.5	16	1.11
S-1616-C619	16	1	25.4	1.75	44.5	78.1	64.0	16	1.47
S-1620-C619	16	1	25.4	2.00	50.8	74.7	69.0	20	1.55
S-2020-C619	20	1 1/4	31.8	2.00	50.8	92.0	81.0	20	2.19
S-2024-C619	20	1 1/4	31.8	2.38	60.3	97.0	85.0	24	3.60
S-2424-C619	24	1 1/2	38.1	2.38	60.3	103.0	93.0	24	3.35
S-2432-C619	24	1 1/2	38.1	2.81	71.4	138.0	97.0	32	4.75
S-3232-C619	32	2	50.8	2.81	71.4	139.0	130.0	32	4.95

Because we continually examine ways to improve our products, we reserve the right to alter specifications or discontinue products without prior notice.