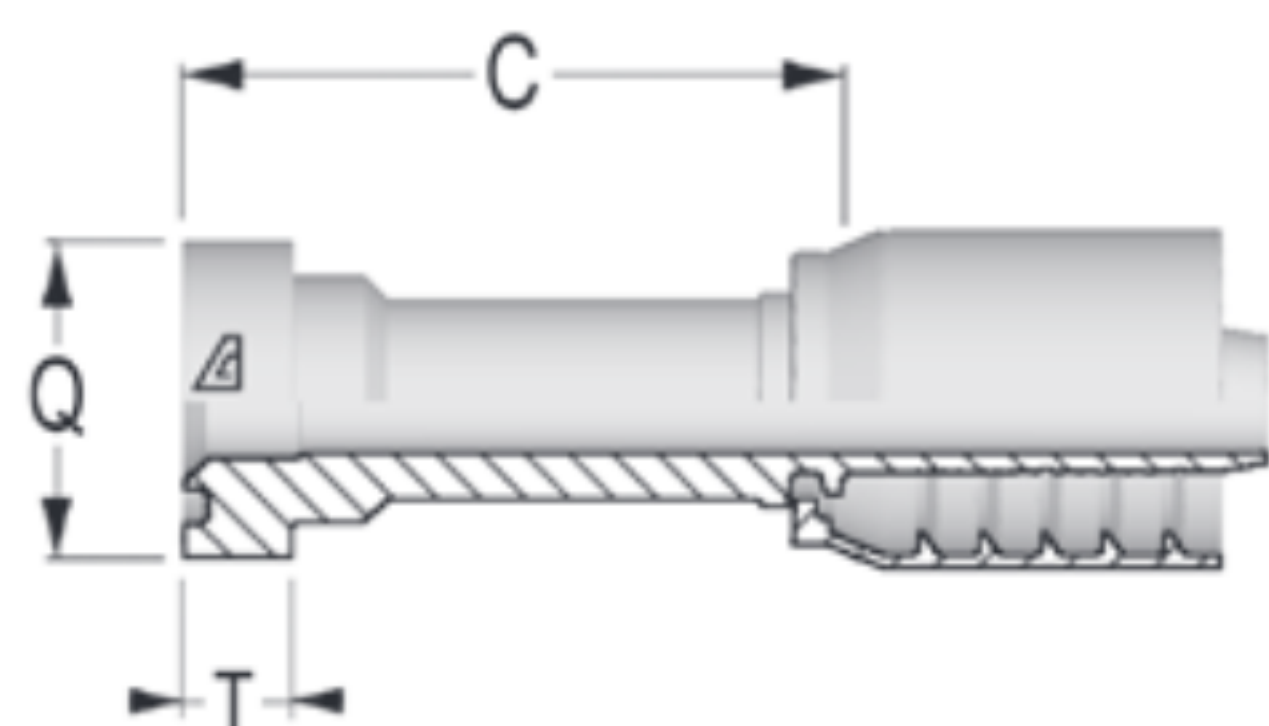


One-Piece AlfaCrimp Fittings – S Series

SUPERCAT FLANGE *Preliminary Data



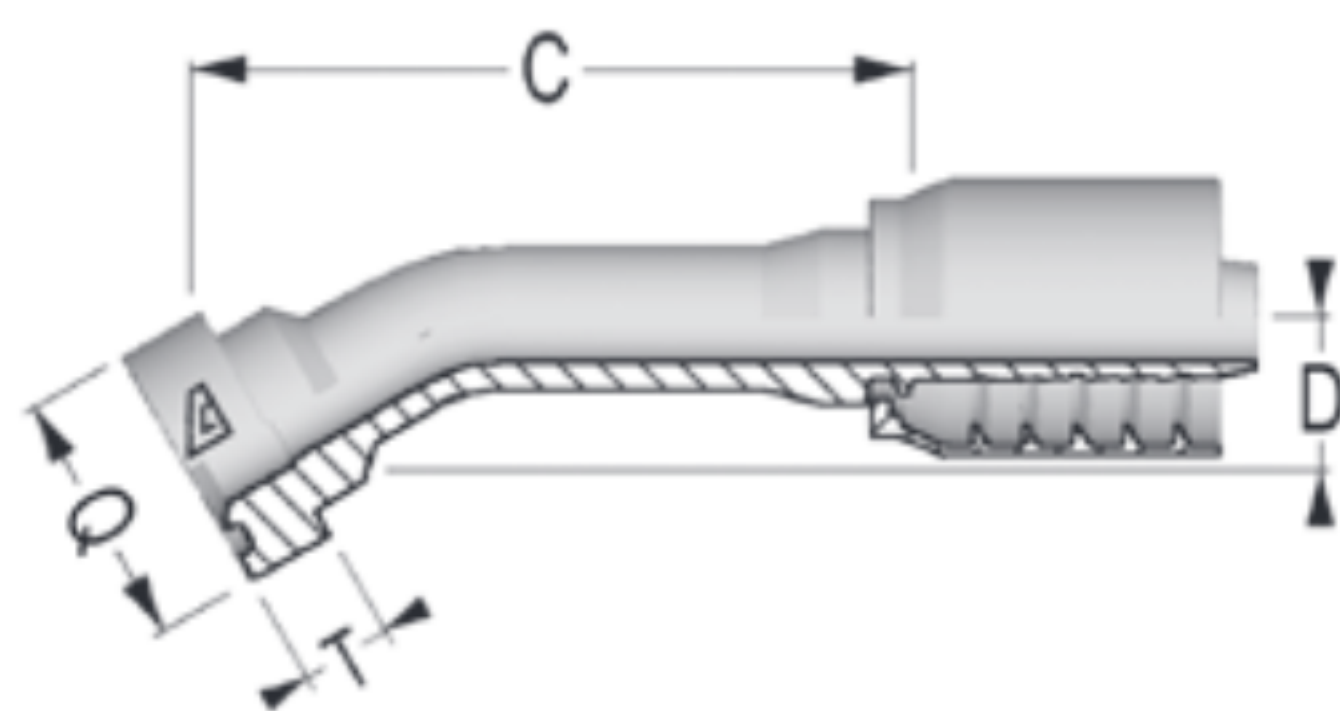
View Up To Date Info



← SCAN OR VISIT
[KOA.link/
S-CFLS](https://KOA.link/S-CFLS)

Part Number	Dash Size	Hose ID Size (in)	Hose ID Size (mm)	Q Flange (in)	Q Flange (mm)	C Cut-Off Factor (mm)	T Thickness (mm)	Flange Dash Size	Weight (lbs/each)
S-1212-CFLS	12	3/4	19.0	1.63	41.3	85.5	14.3	12	1.14
S-1216-CFLS	12	3/4	19.0	1.88	47.6	87.0	14.3	16	1.29
S-1616-CFLS	16	1	25.4	1.88	47.6	95.1	14.3	16	1.71
S-1620-CFLS	16	1	25.4	2.13	54.0	95.1	14.3	20	1.89
S-2020-CFLS	20	1 1/4	31.8	2.13	54.0	91.0	14.3	20	2.26
S-2024-CFLS	20	1 1/4	31.8	2.50	63.5	87.0	14.3	20	2.61
S-2424-CFLS	24	1 1/2	38.1	2.50	63.5	88.0	14.3	24	3.12
S-3232-CFLS	32	2	50.8	3.12	79.4	105.0	14.3	32	3.50

22.5° SUPERCAT FLANGE *Preliminary Data



View Up To Date Info



← SCAN OR VISIT
[KOA.link/
S-CFL2](https://KOA.link/S-CFL2)

Part Number	Dash Size	Hose ID Size (in)	Hose ID Size (mm)	Q Flange (in)	Q Flange (mm)	C Cut-Off Factor (mm)	T Thickness (mm)	D Drop (mm)	Flange Dash Size	Weight (lbs/each)
S-1212-CFL2	12	3/4	19.0	1.63	41.3	116	14.3	21.0	12	1.20
S-1216-CFL2	12	3/4	19.0	1.88	47.6	121	14.3	17.0	16	1.40
S-1616-CFL2	16	1	25.4	1.88	47.6	106	14.3	17.0	16	1.74
S-1620-CFL2	15	1	25.4	2.13	54.0	129	14.3	18.0	20	2.18
S-2020-CFL2	20	1 1/4	31.8	2.13	54.0	162	14.3	25.5	20	2.98
S-2024-CFL2	20	1 1/4	31.8	2.50	63.5	170	14.3	22.0	24	3.41

Because we continually examine ways to improve our products, we reserve the right to alter specifications or discontinue products without prior notice.