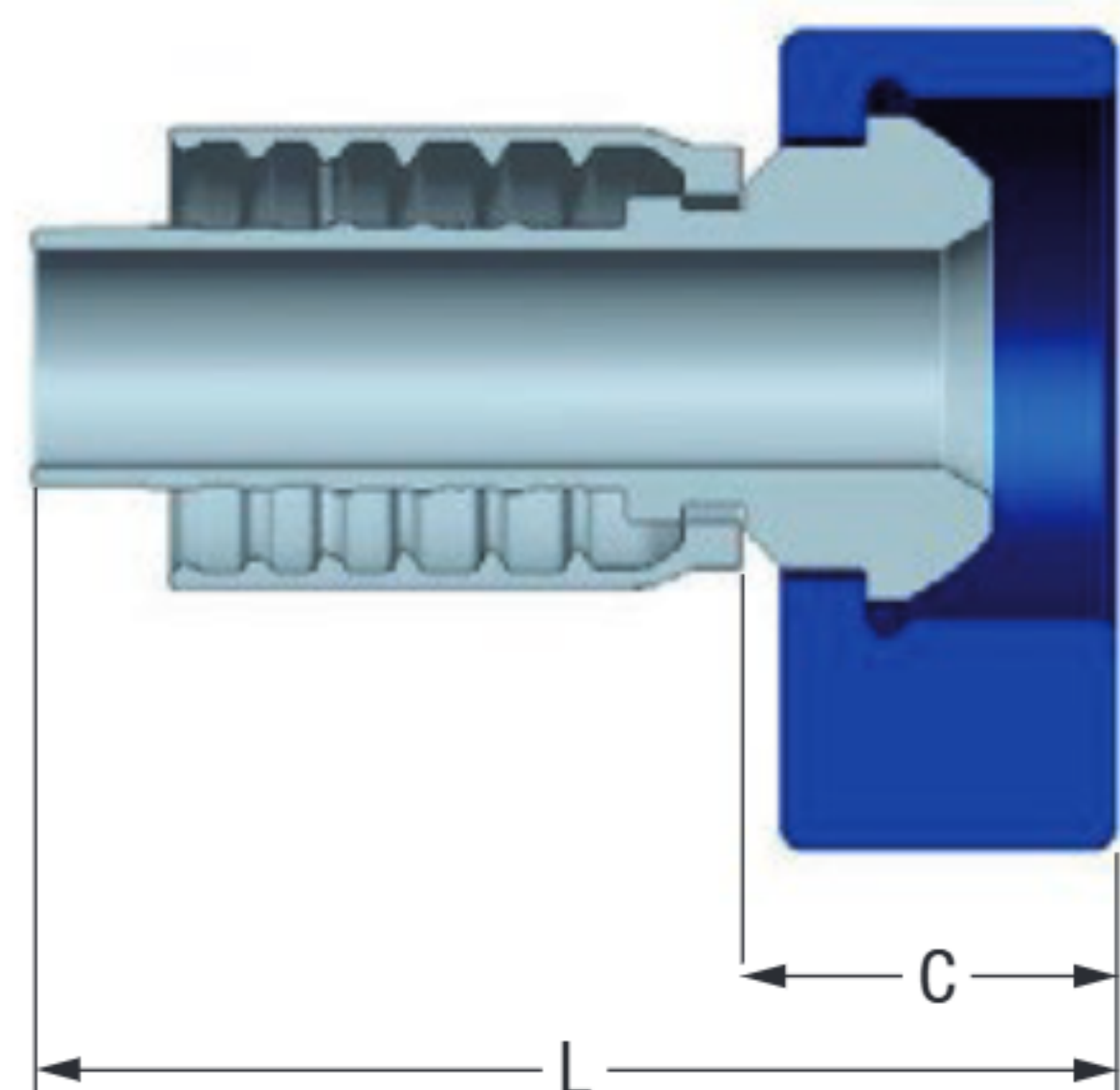


ALFAGOMMA® One-Piece AlfaCrimp Fittings – S Series



MALE HAMMER UNION FIG. 1502 INTEGRAL FITTING WITH LUG NUT (ONE PIECE NO-SKIVE)†

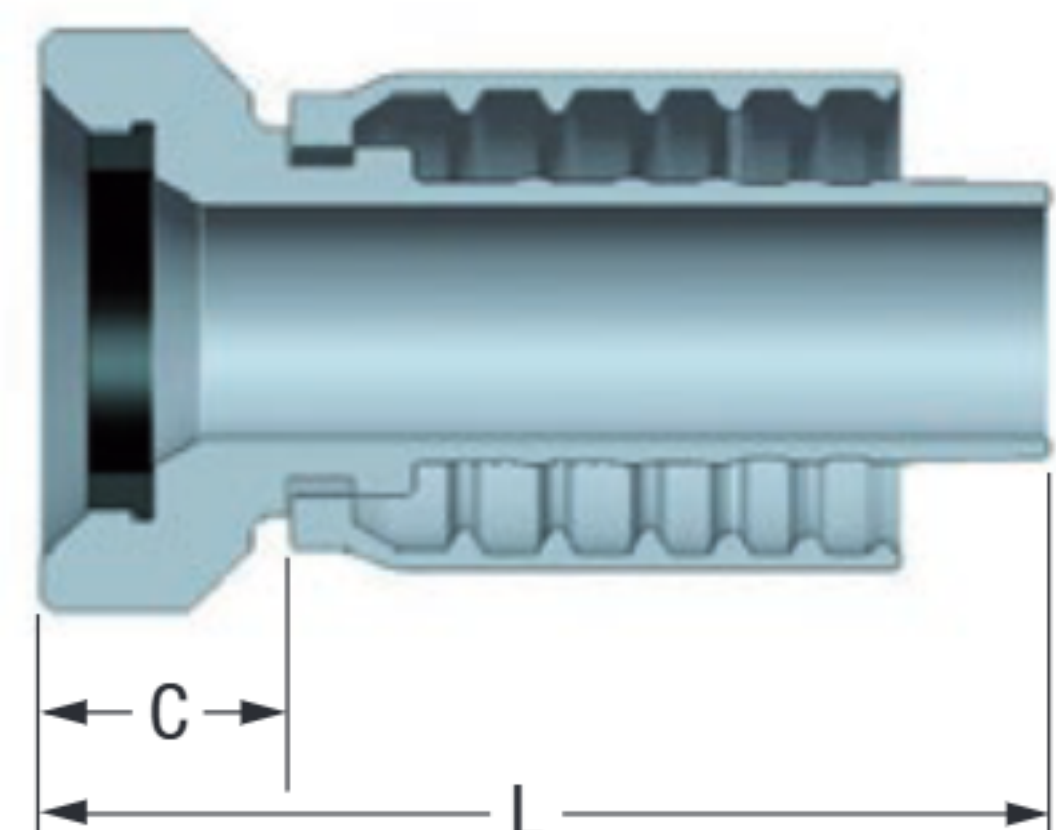
Part Number	Dash Size	Hose ID Size		C Cut-Off Factor (mm)	L Overall Length (mm)	Weight (lbs/each)
		(in)	(mm)			
S-3232-MHUN	32	2	50.8	65.2	153.2	16.17

† Use with Alfabiotech 4000, 5000 and Flexor Rig Hoses

View Up To Date Info



◀ SCAN OR VISIT
KOA.link/S-MHUN



FEMALE HAMMER UNION FIG. 1502 INTEGRAL FITTING WITH RUBBER RING (ONE PIECE NO-SKIVE)†

Part Number	Dash Size	Hose ID Size		C Cut-Off Factor (mm)	L Overall Length (mm)	Weight (lbs/each)
		(in)	(mm)			
S-3232-FHUN	32	2	50.8	61.7	149.7	6.44

† Use with Alfabiotech 4000, 5000 and Flexor Rig Hoses

View Up To Date Info



◀ SCAN OR VISIT
KOA.link/S-FHUN

Because we continually examine ways to improve our products, we reserve the right to alter specifications or discontinue products without prior notice.