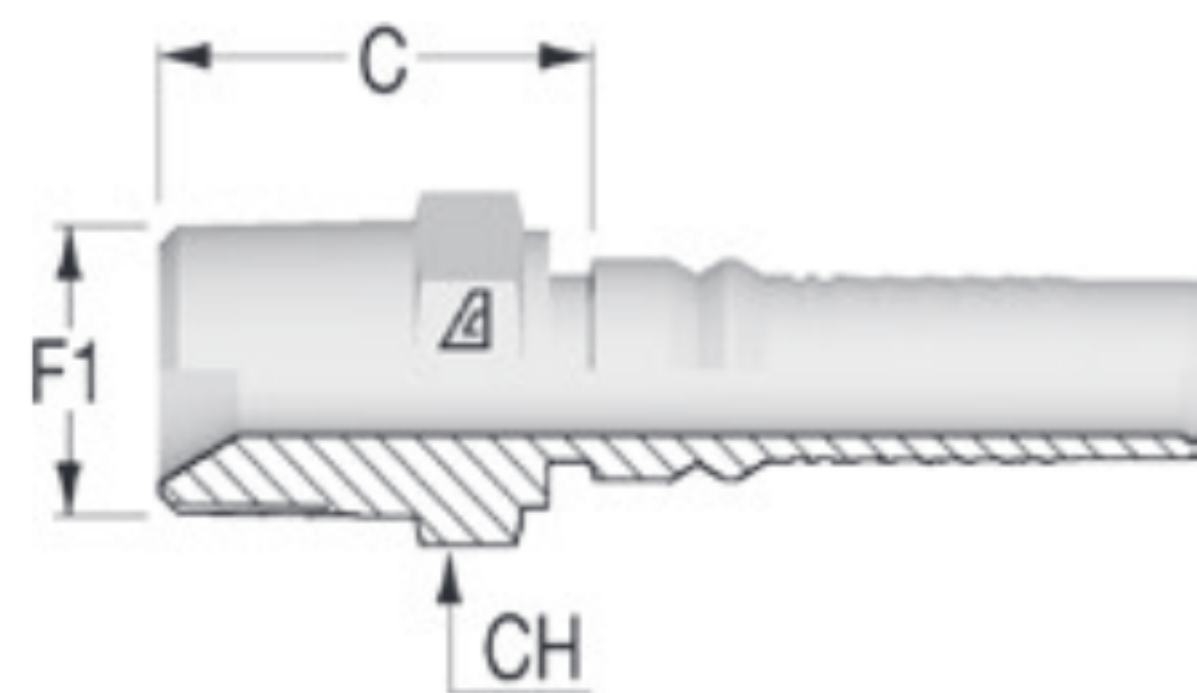


ALFAGOMMA® Two-Piece AlfaCrimp Fittings – Y Series

Interlock Inserts –  US End Configurations



NPTF MALE 60° SEAT INTERLOCK

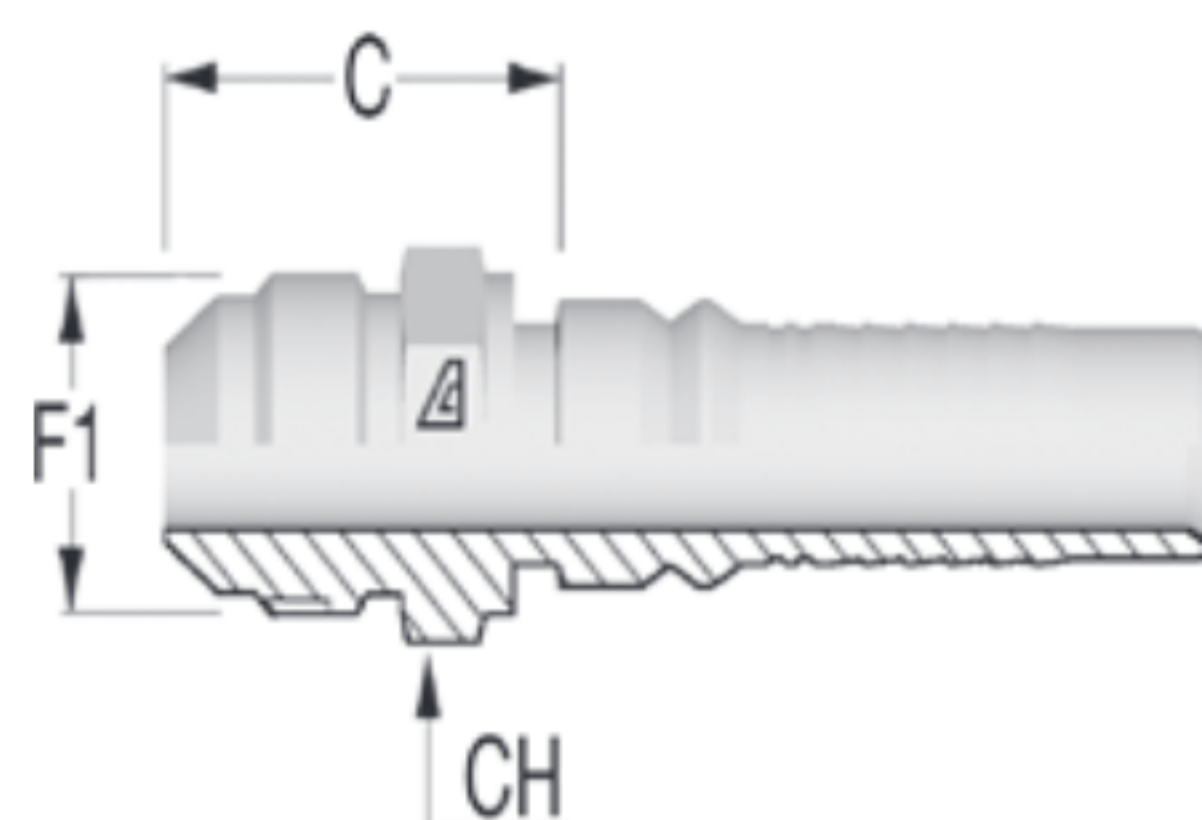
**Preliminary Data*

Part Number	Dash Size	Hose ID Size		F Thread		C Cut-Off Factor (mm)	Hex Dia. CH1 (mm)	Weight (lbs/each)
		(in)	(mm)	Dash Size	Size (in) - TPI			
Y-0606-MNPT	06	3/8	9.5	06	3/8-19	26.0	19	0.17
Y-0808-MNPT	08	1/2	12.7	08	1/2-14	32.0	22	0.20
Y-1212-MNPT	12	3/4	19.0	12	3/4-14	32.0	27	0.32
Y-1616-MNPT	16	1	25.4	16	1-11 1/2	42.0	36	0.63
Y-2020-MNPT	20	1 1/4	31.8	20	1 1/4-11 1/2	46.2	46	1.07
Y-2424-MNPT	24	1 1/2	38.1	24	1 1/2-11 1/2	48.0	50	1.44
Y-3232-MNPT	32	2	50.8	32	2-11 /12	51.0	65	2.43

View Up To Date Info



← SCAN OR VISIT
[KOA.link/
Y-MNPT](https://koya.link/Y-MNPT)



JIC MALE 37° INTERLOCK

**Preliminary Data*

Part Number	Dash Size	Hose ID Size		F Thread		C Cut-Off Factor (mm)	Hex Dia. CH1 (mm)	Weight (lbs/each)
		(in)	(mm)	Dash Size	Size (in) - TPI			
Y-0808-MJIC	08	1/2	12.7	08	3/4-16	28.0	19	0.34
Y-1212-MJIC	12	3/4	19.0	12	1 1/16-12	37.0	32	0.40
Y-1616-MJIC	16	1	25.4	16	1 5/16-12	41.0	36	0.63
Y-2020-MJIC	20	1 1/4	31.8	20	1 5/8-12	45.7	46	1.06
Y-2424-MJIC	24	1 1/2	38.1	24	1 7/8-12	50.0	50	1.42
Y-3232-MJIC	32	2	50.8	32	2 1/2-12	58.9	65	1.76

View Up To Date Info



← SCAN OR VISIT
[KOA.link/
Y-MJIC](https://koya.link/Y-MJIC)

Because we continually examine ways to improve our products, we reserve the right to alter specifications or discontinue products without prior notice.