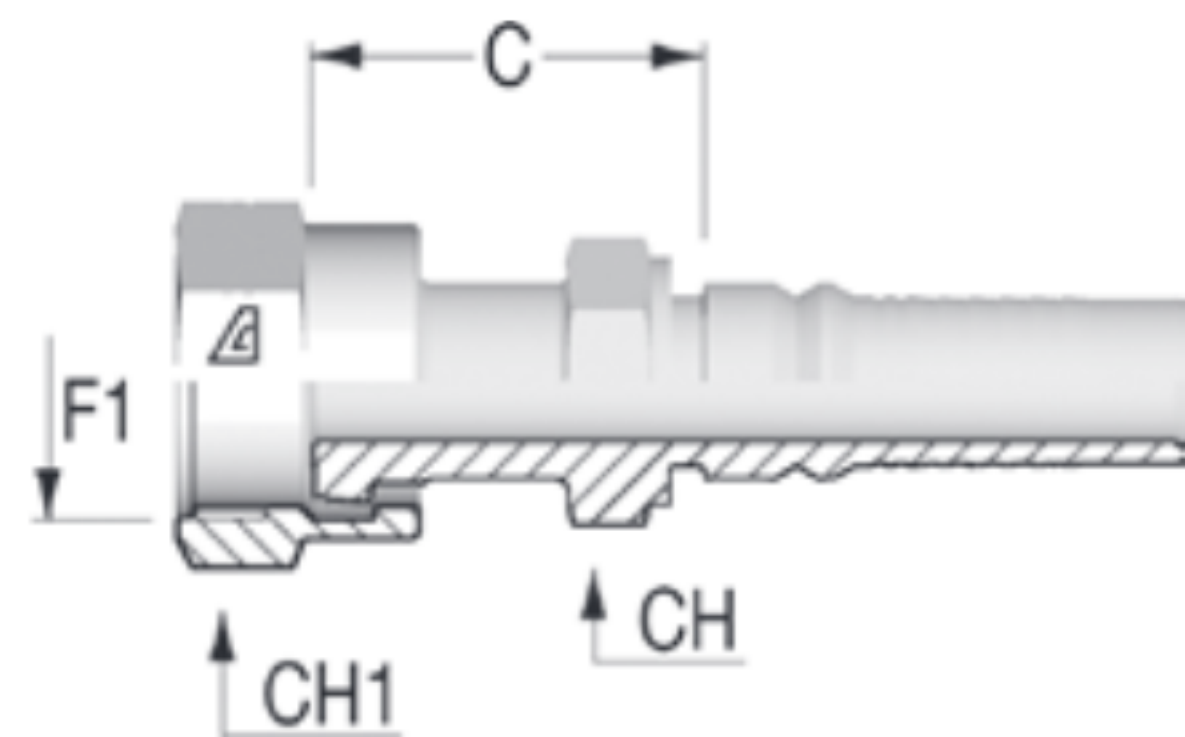


ALFAGOMMA® Two-Piece AlfaCrimp Fittings – Y Series

Interlock Inserts –  US End Configurations



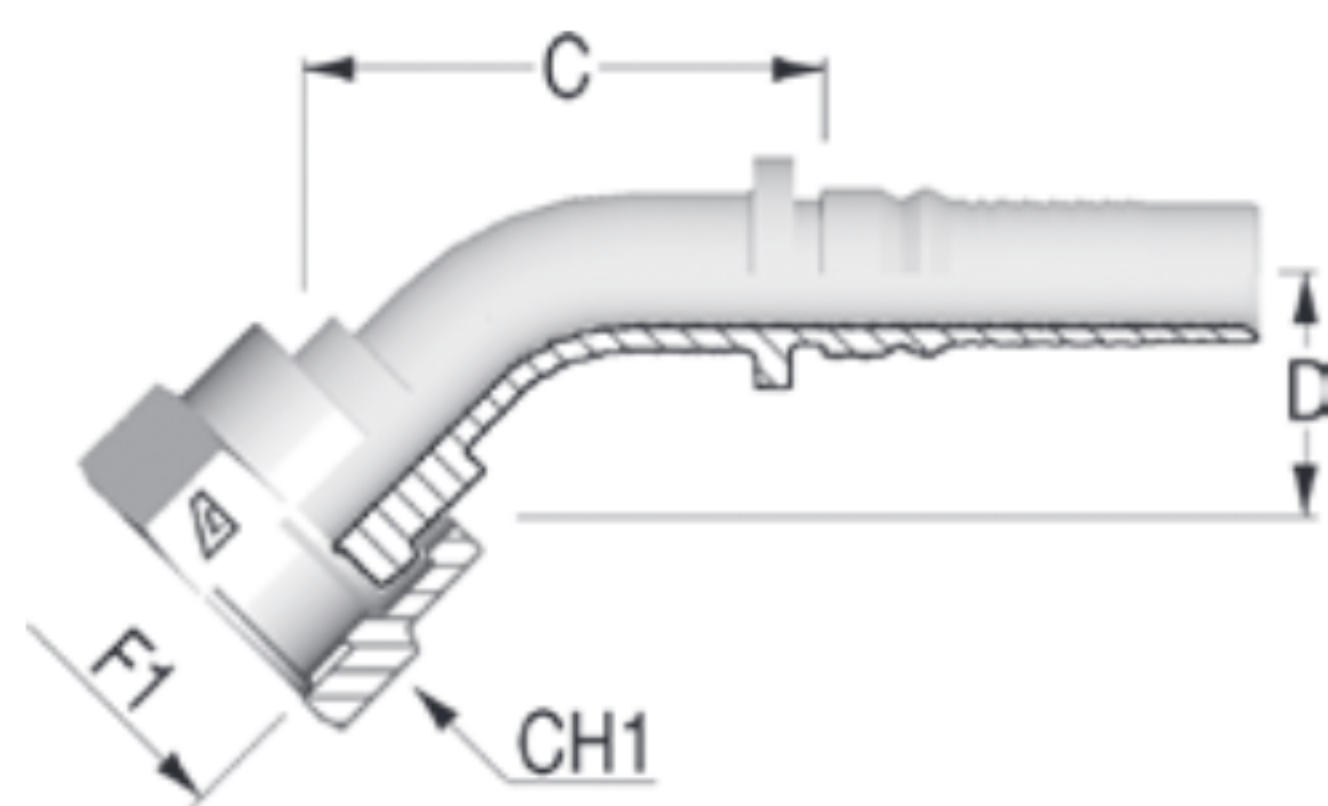
View Up To Date Info



← SCAN OR VISIT
[KOA.link/
Y-FOFS](https://KOA.link/Y-FOFS)

ORFS STRAIGHT FEMALE – DOUBLE HEX INTERLOCK

Part Number	Dash Size	Hose ID Size		F Thread		C Cut-Off Factor (mm)	Hex Dia. CH (mm)	Hex Dia. CH1 (mm)	Weight (lbs/each)
		(in)	(mm)	Dash Size	Size (in) - TPI				
Y-1212-FOFS	12	3/4	19.0	12	1 3/16-12	40.0	30	36	0.58
Y-1616-FOFS	16	1	25.4	16	1 7/16-12	47.0	36	41	0.90
Y-2020-FOFS	20	1 1/4	31.8	20	1 11/16-12	47.2	46	50	1.36
Y-2424-FOFS	24	1 1/2	38.1	24	2-12	52.0	50	60	2.03



View Up To Date Info

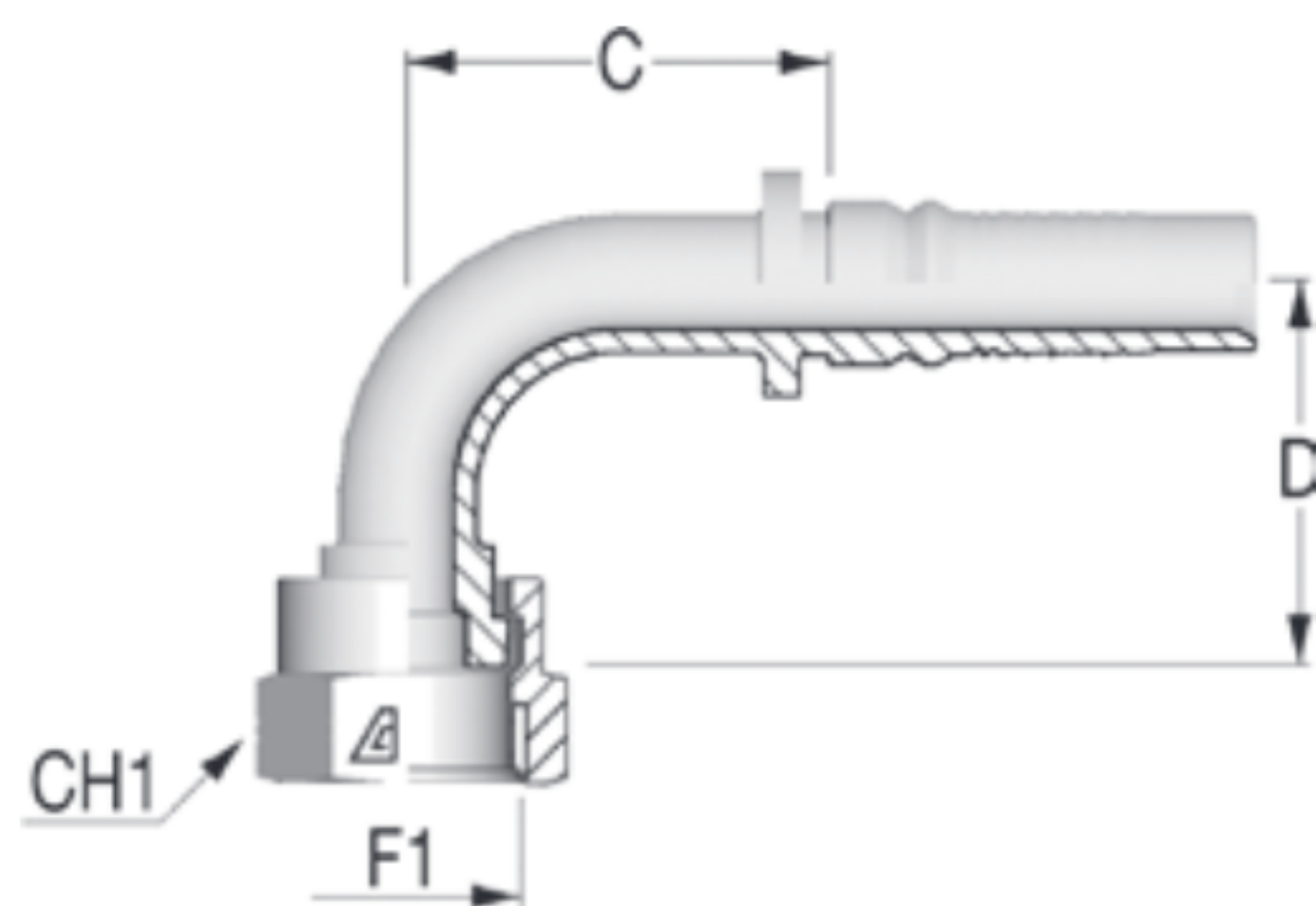


← SCAN OR VISIT
[KOA.link/
Y-FO45](https://KOA.link/Y-FO45)

45° ORFS FEMALE INTERLOCK

**Preliminary Data*

Part Number	Dash Size	Hose ID Size		F Thread		C Cut-Off Factor (mm)	D Drop (mm)	Hex Dia. CH1 (mm)	Weight (lbs/each)
		(in)	(mm)	Dash Size	Size (in) - TPI				
Y-1212-FO45	12	3/4	19.0	12	1 3/16-12	78.0	26.0	36	0.74
Y-1616-FO45	16	1	25.4	16	1 7/16-12	114.0	28.0	41	1.18
Y-2020-FO45	20	1 1/4	31.8	20	1 11/16-12	100.7	33.0	50	1.64
Y-2424-FO45	24	1 1/2	38.1	24	2-12	107.0	36.5	60	2.27



View Up To Date Info



← SCAN OR VISIT
[KOA.link/
Y-FO9M](https://KOA.link/Y-FO9M)

90° ORFS FEMALE INTERLOCK

**Preliminary Data*

Part Number	Dash Size	Hose ID Size		F Thread		C Cut-Off Factor (mm)	D Drop (mm)	Hex Dia. CH1 (mm)	Weight (lbs/each)
		(in)	(mm)	Dash Size	Size (in) - TPI				
Y-1212-FO9M	12	3/4	19.0	12	1 3/16-12	64.2	58	36	0.84
Y-1616-FO9M	16	1	25.4	16	1 7/16-12	75.2	66	41	1.18
Y-2020-FO9M	20	1 1/4	31.8	20	1 11/16-12	91.7	81	50	1.89
Y-2424-FO9M	24	1 1/2	38.1	24	2-12	99.0	84	60	2.55

Because we continually examine ways to improve our products, we reserve the right to alter specifications or discontinue products without prior notice.