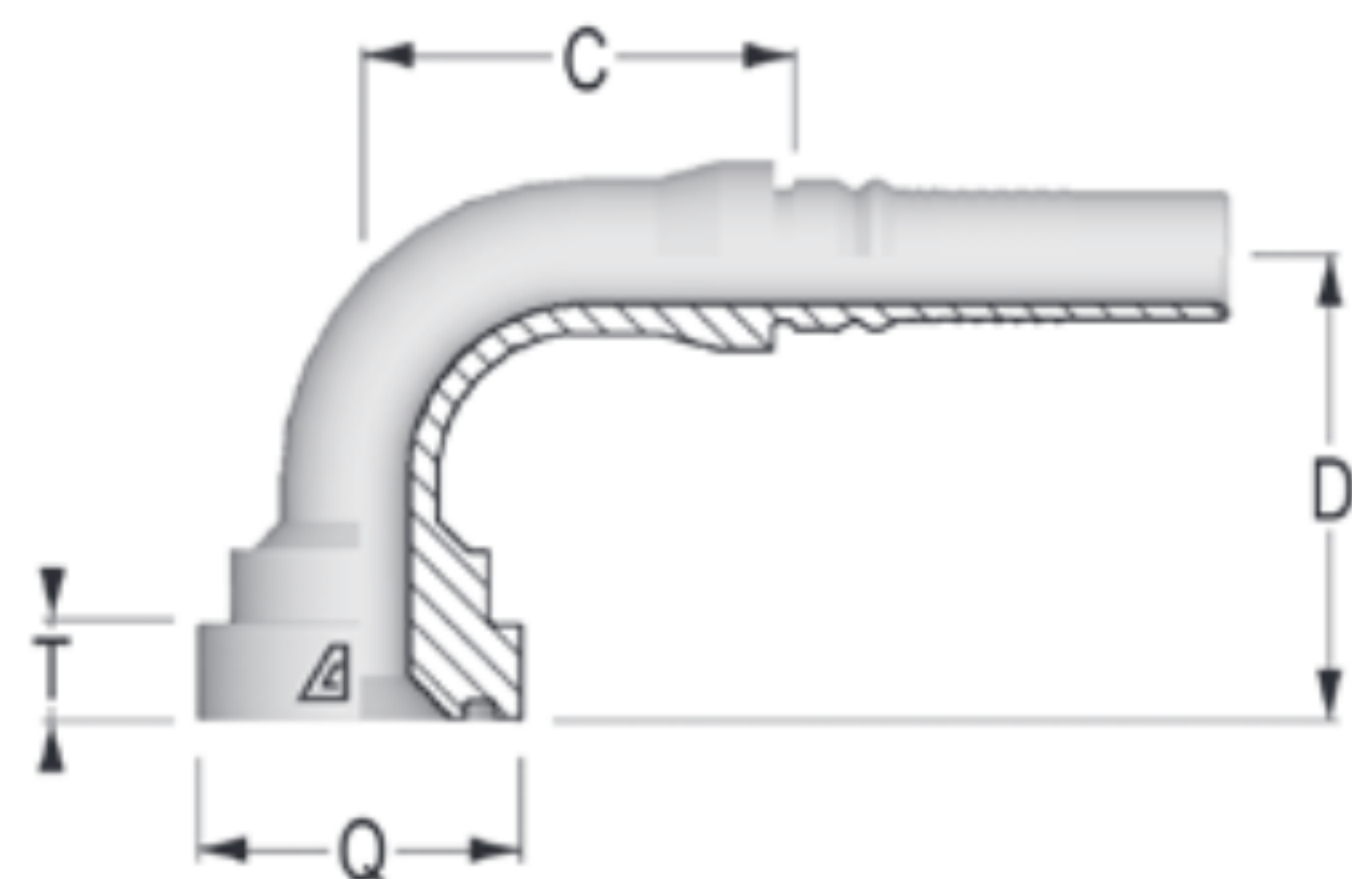


Two-Piece AlfaCrimp Fittings – Y Series



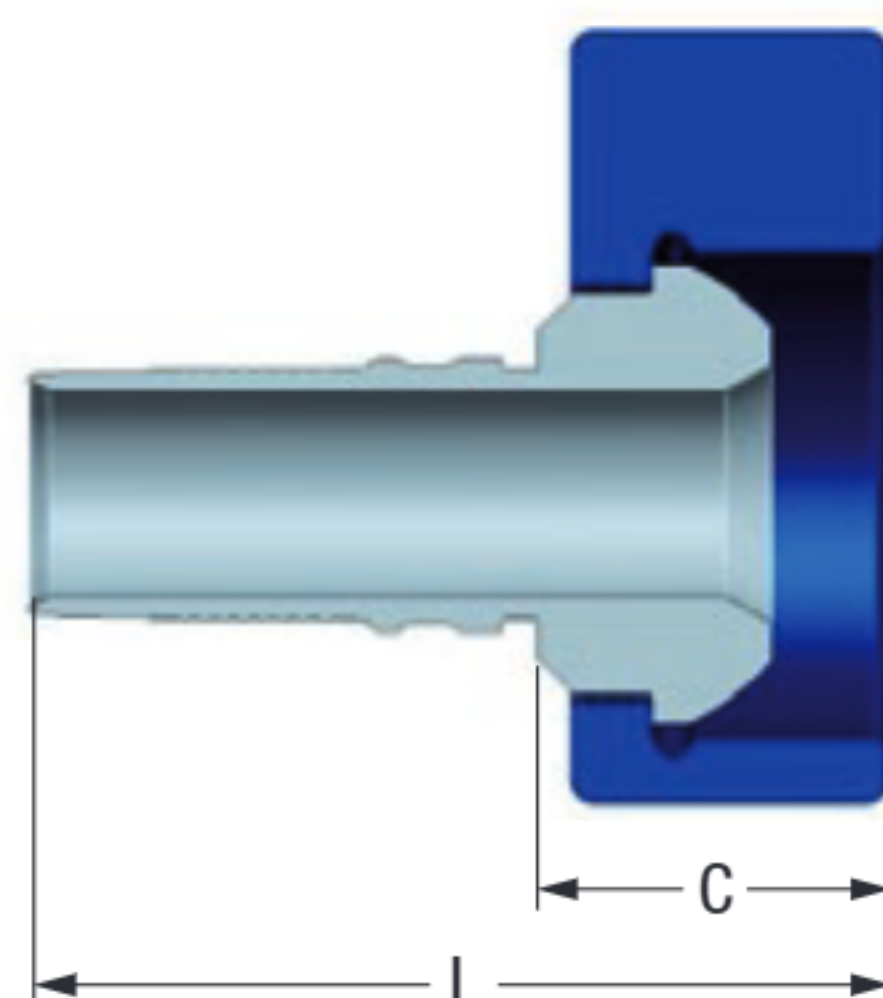
90° O-RING SUPERCAT 6000 PSI FLANGE INTERLOCK

Part Number	Dash Size	Hose ID Size		Q Flange		C Cut-Off Factor (mm)	D Drop (mm)	T (mm)	Weight (lbs/each)
		(in)	(mm)	(in)	(mm)				
Y-1212-CFL9	12	3/4	19.0	1.63	41.3	63.7	67	14.3	0.95
Y-1616-CFL9	16	1	25.4	1.88	47.6	80.4	79	14.3	1.60
Y-2020-CFL9	20	1 1/4	31.8	2.13	54.0	89.2	93	14.3	2.01

View Up To Date Info



← SCAN OR VISIT
KOA.link/Y-CFL9



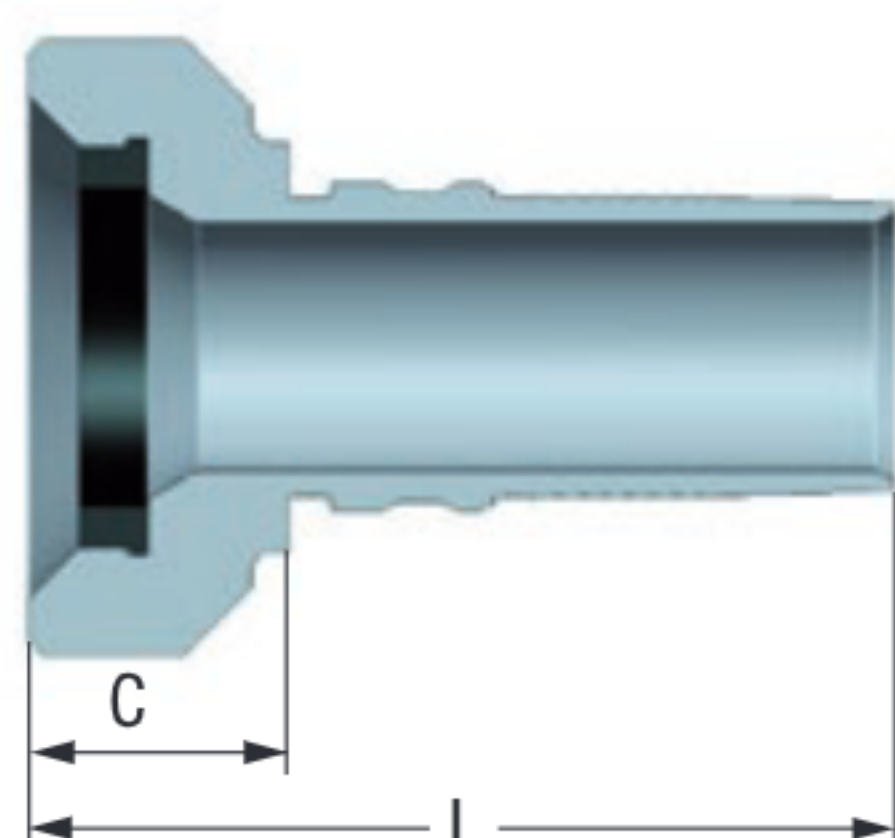
MALE HAMMER UNION FIG. 1502 INTEGRAL FITTING WITH LUG NUT – Use with Alfabiotech 5000 and Flexor Rig hoses

Part Number	Dash Size	Hose ID Size		C Cut-Off Factor (mm)	L Overall Length (mm)	Weight (lbs/each)
		(in)	(mm)			
Y-3232-MHUN	32	2	50.8	71.0	152	13.43

View Up To Date Info



← SCAN OR VISIT
KOA.link/Y-MHUN



FEMALE HAMMER UNION FIG. 1502 INTEGRAL FITTING WITH RUBBER RING – Use with Alfabiotech 5000 and Flexor Rig hoses

Part Number	Dash Size	Hose ID Size		C Cut-Off Factor (mm)	L Overall Length (mm)	Weight (lbs/each)
		(in)	(mm)			
Y-3232-FHUN	32	2	50.8	67.5	148.5	4.75

View Up To Date Info



← SCAN OR VISIT
KOA.link/Y-FHUN

Because we continually examine ways to improve our products, we reserve the right to alter specifications or discontinue products without prior notice.