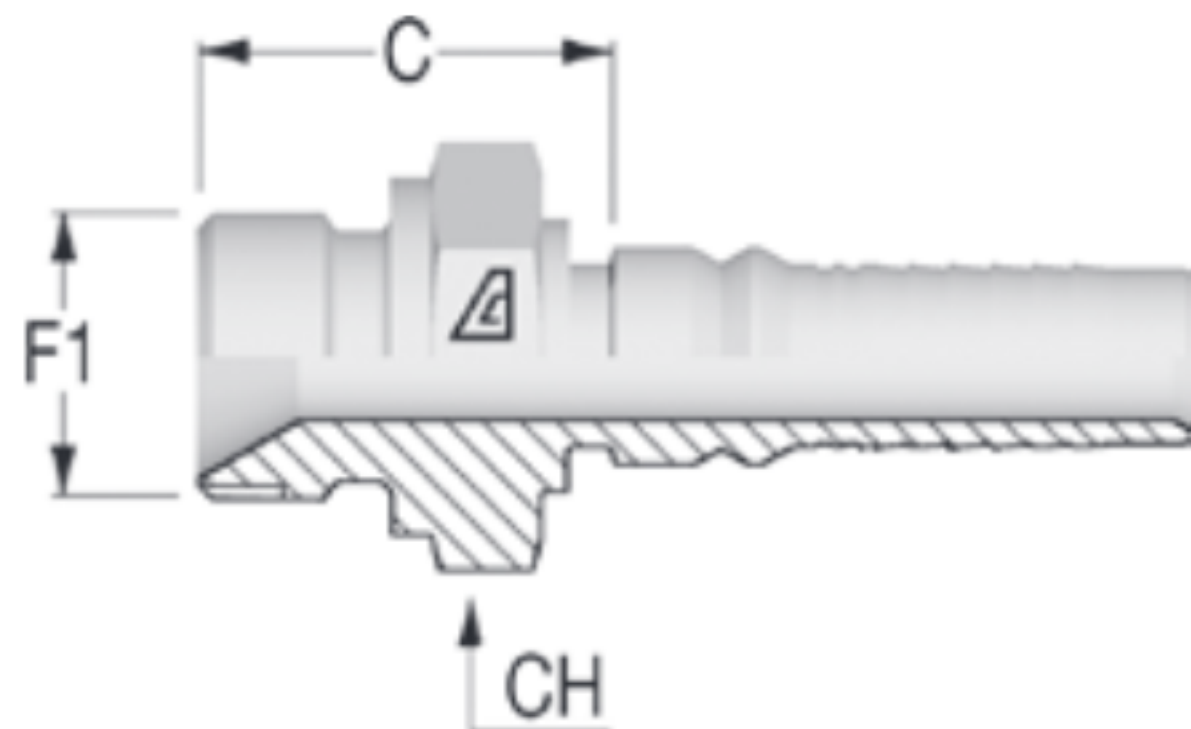


ALFAGOMMA® Two-Piece AlfaCrimp Fittings – Y Series

Interlock Inserts – International End Configurations



View Up To Date Info

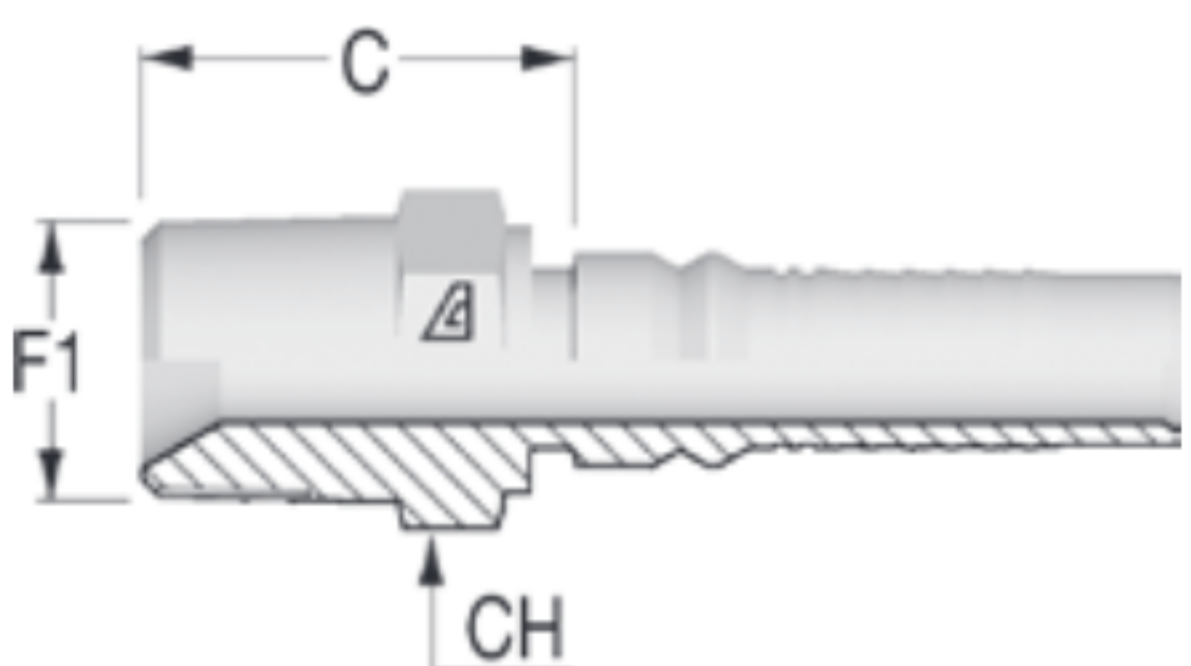


SCAN OR VISIT
[KOA.link/
Y-MBPP](https://KOA.link/Y-MBPP)

BSP MALE PARALLEL 60° SEAT INTERLOCK

**Preliminary Data*

Part Number	Dash Size	Hose ID Size		F Thread		C Cut-Off Factor (mm)	Hex Dia. CH1 (mm)	Weight (lbs/each)
		(in)	(mm)	Dash Size	Size (in) - TPI			
Y-1212-MBPP	12	3/4	19.0	12	3/4-14	34.0	32	0.38
Y-1616-MBPP	16	1	25.4	16	1-11	40.0	41	0.70
Y-2020-MBPP	20	1 1/4	31.8	20	1 1/4-11	45.2	50	1.15
Y-2424-MBPP	24	1 1/2	38.1	24	1 1/2-11	48.5	55	1.56
Y-3232-MBPP	32	2	50.8	32	2-11	52.5	70	2.55



View Up To Date Info

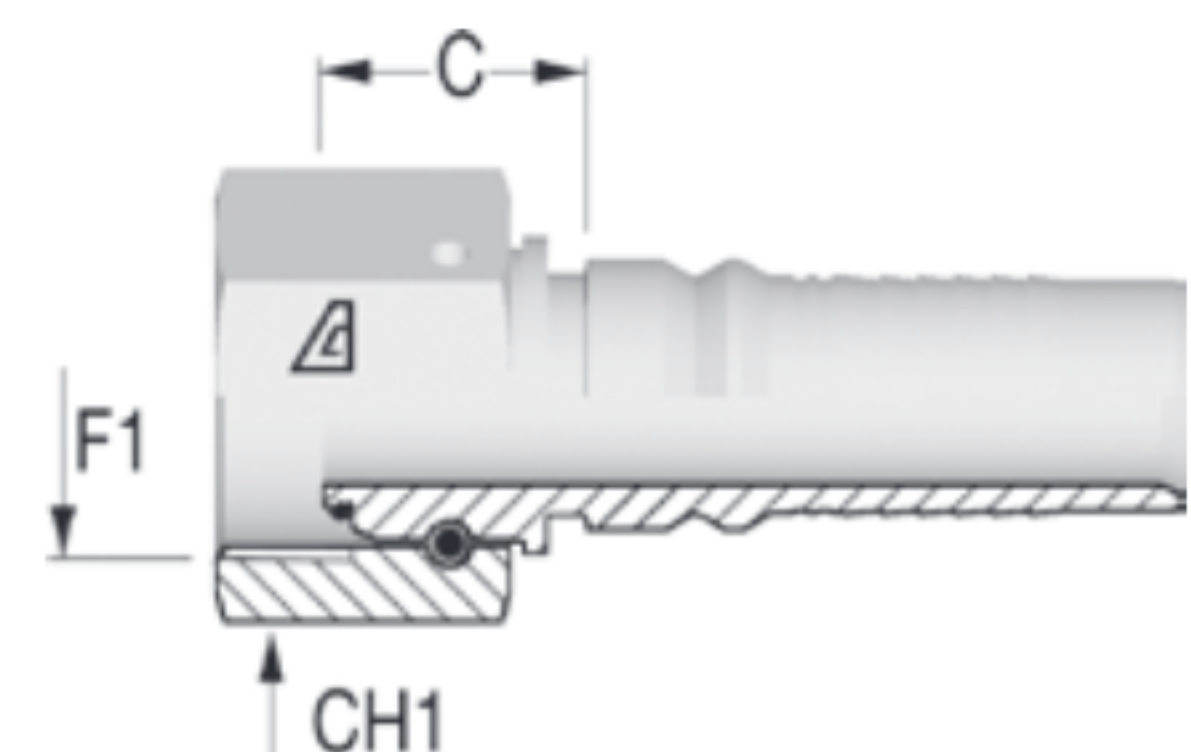


SCAN OR VISIT
[KOA.link/
Y-MBPT](https://KOA.link/Y-MBPT)

BSP/JIS MALE TAPERED INTERLOCK

**Preliminary Data*

Part Number	Dash Size	Hose ID Size		F Thread		C Cut-Off Factor (mm)	Hex Dia. CH1 (mm)	Weight (lbs/each)
		(in)	(mm)	Dash Size	Size (in) - TPI			
Y-1212-MBPT	12	3/4	19.0	12	3/4-14	32.0	27	0.34
Y-1616-MBPT	16	1	25.4	16	1-11	41.0	36	0.71
Y-2020-MBPT	20	1 1/4	31.8	20	1 1/4-11	46.2	46	1.28
Y-2424-MBPT	24	1 1/2	38.1	24	1 1/2-11	48.0	50	1.77
Y-3232-MBPT	32	2	50.8	32	2-11	53.2	65	2.77



View Up To Date Info



SCAN OR VISIT
[KOA.link/
Y-FBPO](https://KOA.link/Y-FBPO)

BSP/JIS SWIVEL FEMALE 60° CONE INTERLOCK

**Preliminary Data*

Part Number	Dash Size	Hose ID Size		F Thread		C Cut-Off Factor (mm)	Hex Dia. CH1 (mm)	Weight (lbs/each)
		(in)	(mm)	Dash Size	Size (in) - TPI			
Y-0808-FBPO	08	1/2	12.7	08	1/2-14	22.5	27	0.32
Y-1212-FBPO	12	3/4	19.0	12	3/4-14	22.5	32	0.40
Y-1616-FBPO	16	1	25.4	16	1-11	25.5	38	0.64
Y-2020-FBPO	20	1 1/4	31.8	20	1 1/4-11	30.2	50	1.18
Y-2424-FBPO	24	1 1/2	38.1	24	1 1/2-11	33.5	55	1.64
Y-3232-FBPO	32	2	50.8	32	2-11	33.0	70	2.71

Because we continually examine ways to improve our products, we reserve the right to alter specifications or discontinue products without prior notice.