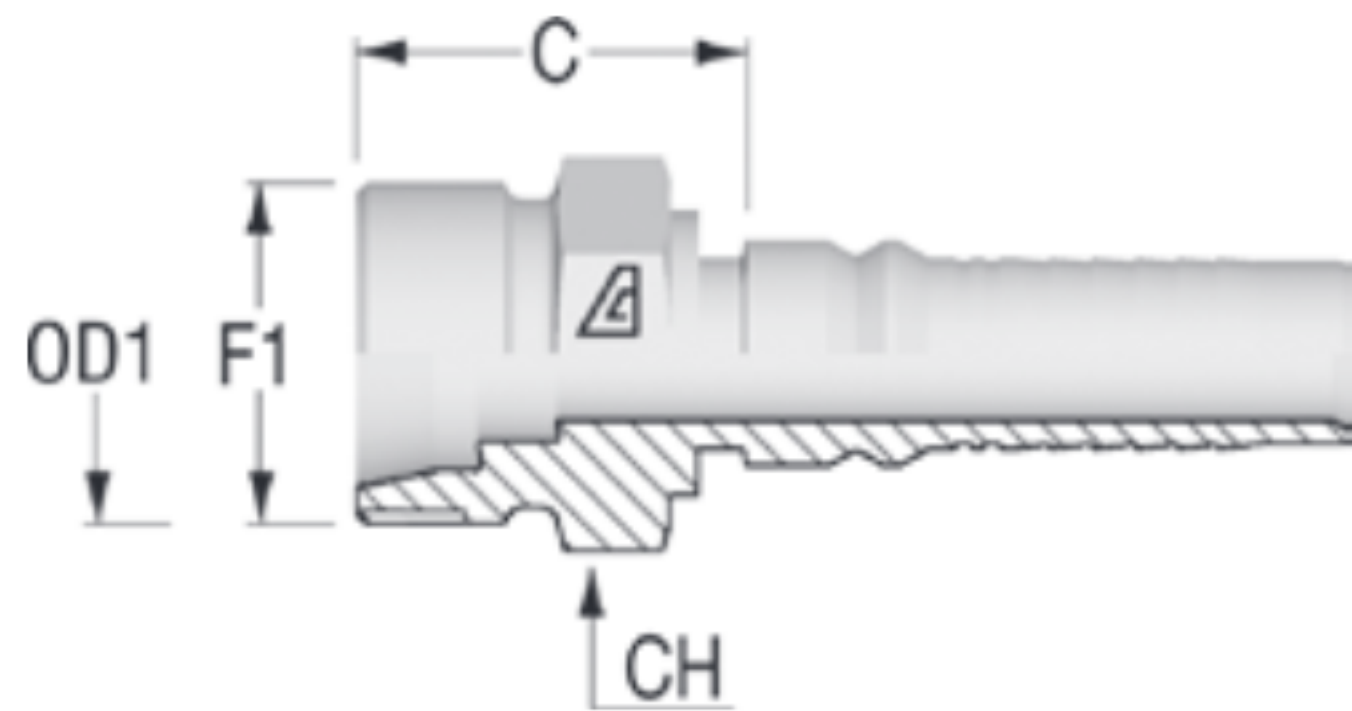


ALFAGOMMA® Two-Piece AlfaCrimp Fittings – Y Series

Interlock Inserts – International End Configurations



METRIC MALE 24° SEAT INTERLOCK – DIN 3861 HEAVY

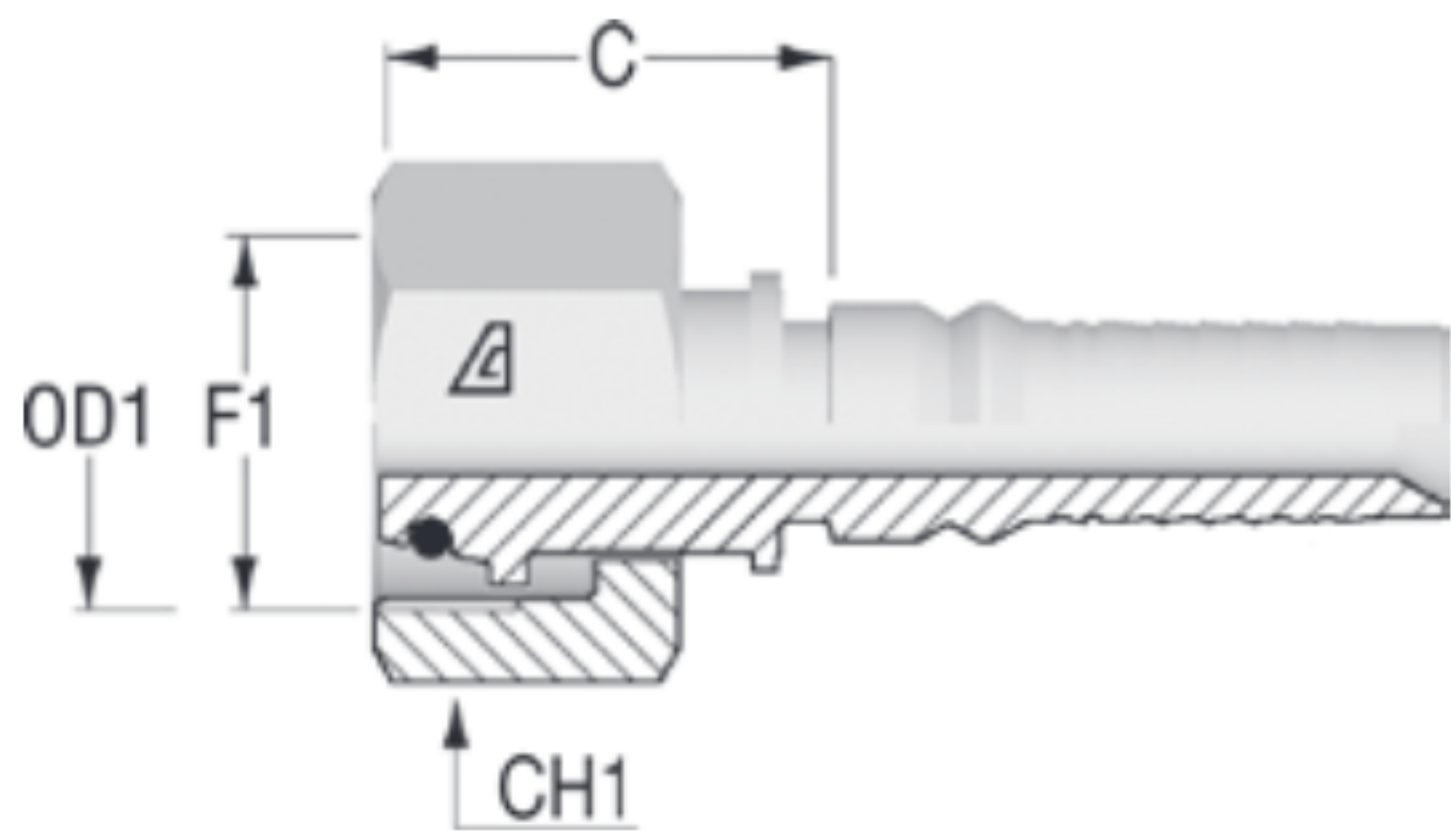
**Preliminary Data*

Part Number	Dash Size	Hose ID Size (in)	Hose ID Size (mm)	F Thread Size (mm) x TP (mm)	Tube OD (mm)	C Cut-Off Factor (mm)	Hex Dia. CH1 (mm)	Weight (lbs/each)
Y-0824-MMSH	08	1/2	12.7	M24x 1.5	16	27.0	24	0.21
Y-1030-MMSH	10	5/8	25.9	M30x 2	20	31.0	32	0.35
Y-1236-MMSH	12	3/4	19.0	M36x 2	25	35.0	36	0.49
Y-1642-MMSH	16	1	25.4	M42x 2	30	40.0	46	0.85
Y-2052-MMSH	20	1 1/4	31.8	M52x 2	38	45.2	55	1.37

View Up To Date Info



← SCAN OR VISIT
**KOA.link/
Y-MMSH**



METRIC FEMALE O-RING SWIVEL INTERLOCK – DIN 3865 HEAVY

**Preliminary Data*

Part Number	Dash Size	Hose ID Size (in)	Hose ID Size (mm)	F Thread Size (mm) x TP (mm)	Tube OD (mm)	C Cut-Off Factor (mm)	Hex Dia. CH1 (mm)	Weight (lbs/each)
Y-0824-FMOH	08	1/2	12.7	M24x 1.5	16	29.8	30	0.31
Y-1030-FMOH	10	5/8	25.9	M30x 2	20	34.4	36	0.51
Y-1230-FMOH	12	3/4	19.0	M30x 2	20	37.5	36	0.6
Y-1236-FMOH	12	3/4	19.0	M36x 2	25	37.6	46	0.84
Y-1636-FMOH	16	1	25.4	M36x 2	25	38.8	46	1.03
Y-1642-FMOH	16	1	25.4	M42x 2	30	40.7	50	1.08
Y-2042-FMOH	20	1 1/4	31.8	M42x 2	30	32.2	50	1.39
Y-2052-FMOH	20	1 1/4	31.8	M52x 2	38	45.3	60	1.72
Y-2452-FMOH	24	1 1/2	38.1	M52x 2	38	50.8	60	2.26

View Up To Date Info



← SCAN OR VISIT
**KOA.link/
Y-FMOH**

Because we continually examine ways to improve our products, we reserve the right to alter specifications or discontinue products without prior notice.