


**Kuri Tec® ENDURE™**  
Push-To-Connect DOT Air Brake Fittings –  
Straight

**VIEW ONLINE**

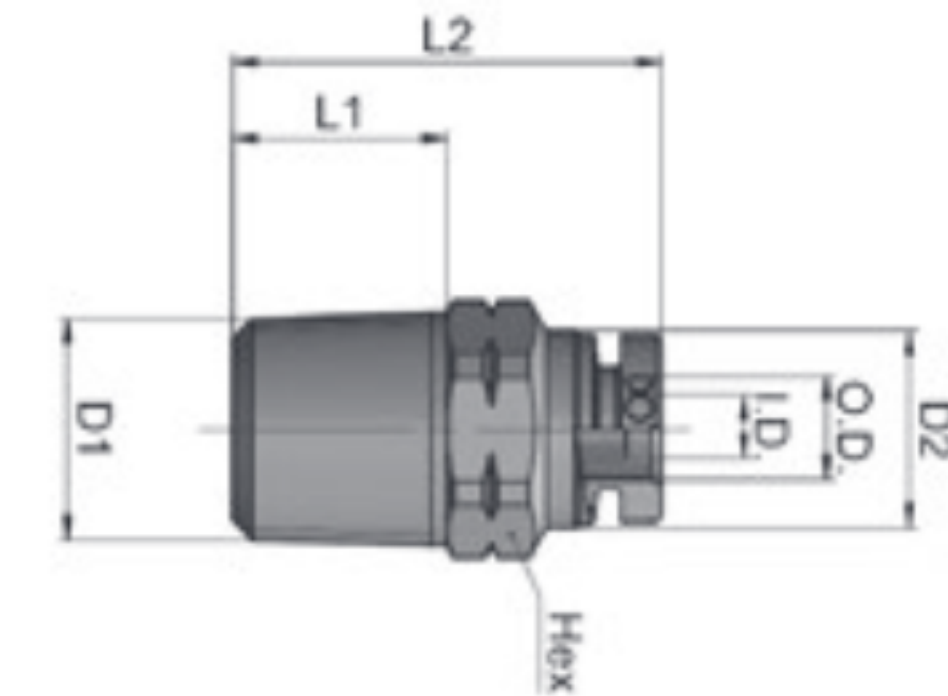


SCAN  
FOR INFO

| or |

visit  
[KOA.link/Straight](http://KOA.link/Straight)

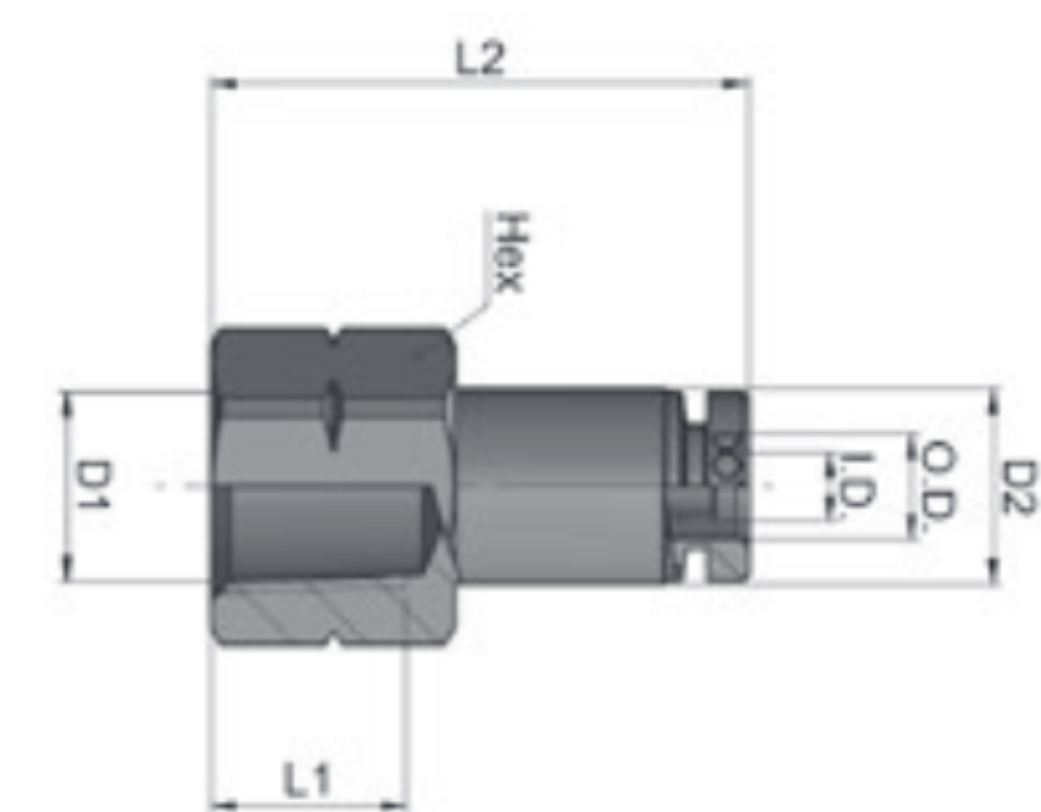
**DOT-BRMC Series**  
Male Straight



Part Number	Description	Tube OD (in)	Tube <sup>†</sup> ID (in)	D1 NPTF (in)	D2 (in)	L1 (in)	L2 (in)	HEX (in)	Weight Each (lbs)	Pieces Per Package*
DOT-BRMC-0402	Male Connect 1/4 TB X 1/8 NPTF	1/4	.165	1/8	0.472	.335	0.925	1/2	0.026	25
DOT-BRMC-0404	Male Connect 1/4 TB X 1/4 NPTF	1/4	.165	1/4	0.472	.512	1.024	9/16	0.044	25
DOT-BRMC-0406	Male Connect 1/4 TB X 3/8 NPTF	1/4	.165	3/8	0.472	.512	1.063	11/16	0.074	25
DOT-BRMC-0602	Male Connect 3/8 TB X 1/8 NPTF	3/8	.244	1/8	0.630	.335	1.161	11/16	0.053	25
DOT-BRMC-0604	Male Connect 3/8 TB X 1/4 NPTF	3/8	.244	1/4	0.630	.512	1.299	11/16	0.067	25
DOT-BRMC-0606	Male Connect 3/8 TB X 3/8 NPTF	3/8	.244	3/8	0.630	.512	1.043	11/16	0.063	25
DOT-BRMC-0608	Male Connect 3/8 TB X 1/2 NPTF	3/8	.244	1/2	0.630	.669	1.240	7/8	0.133	25
DOT-BRMC-0804	Male Connect 1/2 TB X 1/4 NPTF	1/2	.362	1/4	0.787	.512	1.406	13/16	0.089	25
DOT-BRMC-0806	Male Connect 1/2 TB X 3/8 NPTF	1/2	.362	3/8	0.787	.512	1.209	13/16	0.077	25
DOT-BRMC-0808	Male Connect 1/2 TB X 1/2 NPTF	1/2	.362	1/2	0.787	.669	1.248	7/8	0.112	25
DOT-BRMC-1006	Male Connect 5/8 TB X 3/8 NPTF	5/8	.433	3/8	0.925	.512	1.555	1	0.156	10
DOT-BRMC-1008	Male Connect 5/8 TB X 1/2 NPTF	5/8	.433	1/2	0.925	.669	1.496	1	0.141	10
DOT-BRMC-1208	Male Connect 3/4 TB X 1/2 NPTF	3/4	.559	1/2	1.043	.669	1.791	1 1/16	0.191	10
DOT-BRMC-1212	Male Connect 3/4 TB X 3/4 NPTF	3/4	.559	3/4	1.043	.669	1.535	1 1/16	0.197	10

† **NOTE:** The “Tube ID (in)” column heading refers to “Tube Support ID (in)”  
\*Only sold in package quantities

**DOT-BRFC Series**  
Female Straight



Part Number	Description	Tube OD (in)	Tube <sup>†</sup> ID (in)	D1 NPTF (in)	D2 (in)	L1 (in)	L2 (in)	HEX (in)	Weight Each (lbs)	Pieces Per Package*
DOT-BRFC-0402	Female Connect 1/4 TB X 1/8 NPTF	1/4	.165	1/8	.472	.335	1.122	1/2	0.035	25
DOT-BRFC-0404	Female Connect 1/4 TB X 1/4 NPTF	1/4	.165	1/4	.472	.492	1.299	11/16	0.063	25
DOT-BRFC-0604	Female Connect 3/8 TB X 1/4 NPTF	3/8	.244	1/4	.630	.492	1.378	11/16	0.049	25
DOT-BRFC-0606	Female Connect 3/8 TB X 3/8 NPTF	3/8	.244	3/8	.630	.492	1.378	13/16	0.089	25
DOT-BRFC-0608	Female Connect 3/8 TB X 1/2 NPTF	3/8	.244	1/2	.630	.492	1.516	1	0.138	25
DOT-BRFC-0806	Female Connect 1/2 TB X 3/8 NPTF	1/2	.362	3/8	.787	.472	1.445	13/16	0.116	25
DOT-BRFC-0808	Female Connect 1/2 TB X 1/2 NPTF	1/2	.362	1/2	.787	.472	1.543	1	0.096	25

† **NOTE:** The “Tube ID (in)” column heading refers to “Tube Support ID (in)”  
\*Only sold in package quantities

Because we continually examine ways to improve our products, we reserve the right to alter specifications or discontinue products without prior notice.