


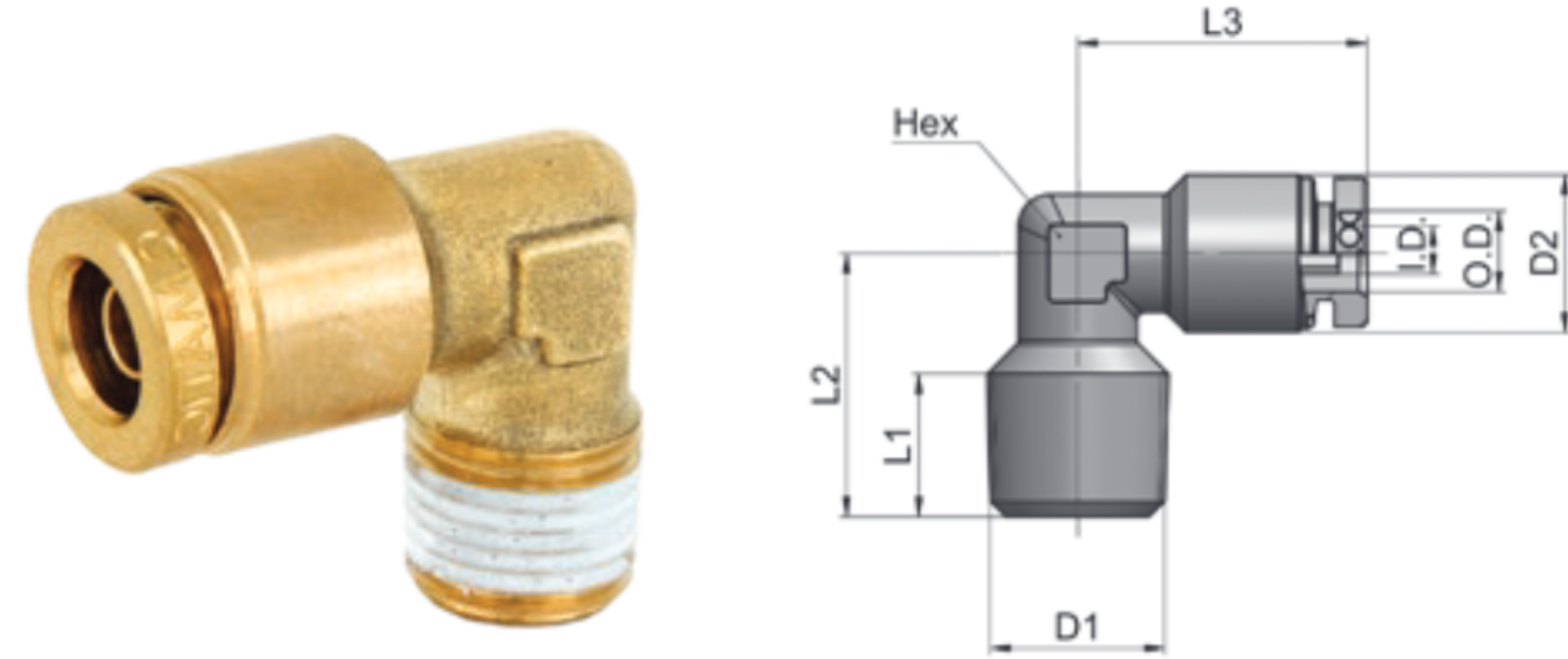
Kuri Tec® ENDURE™
Push-To-Connect DOT Air Brake Fittings –
Elbow

VIEW ONLINE



SCAN FOR INFO or visit KOA.link/Elbow

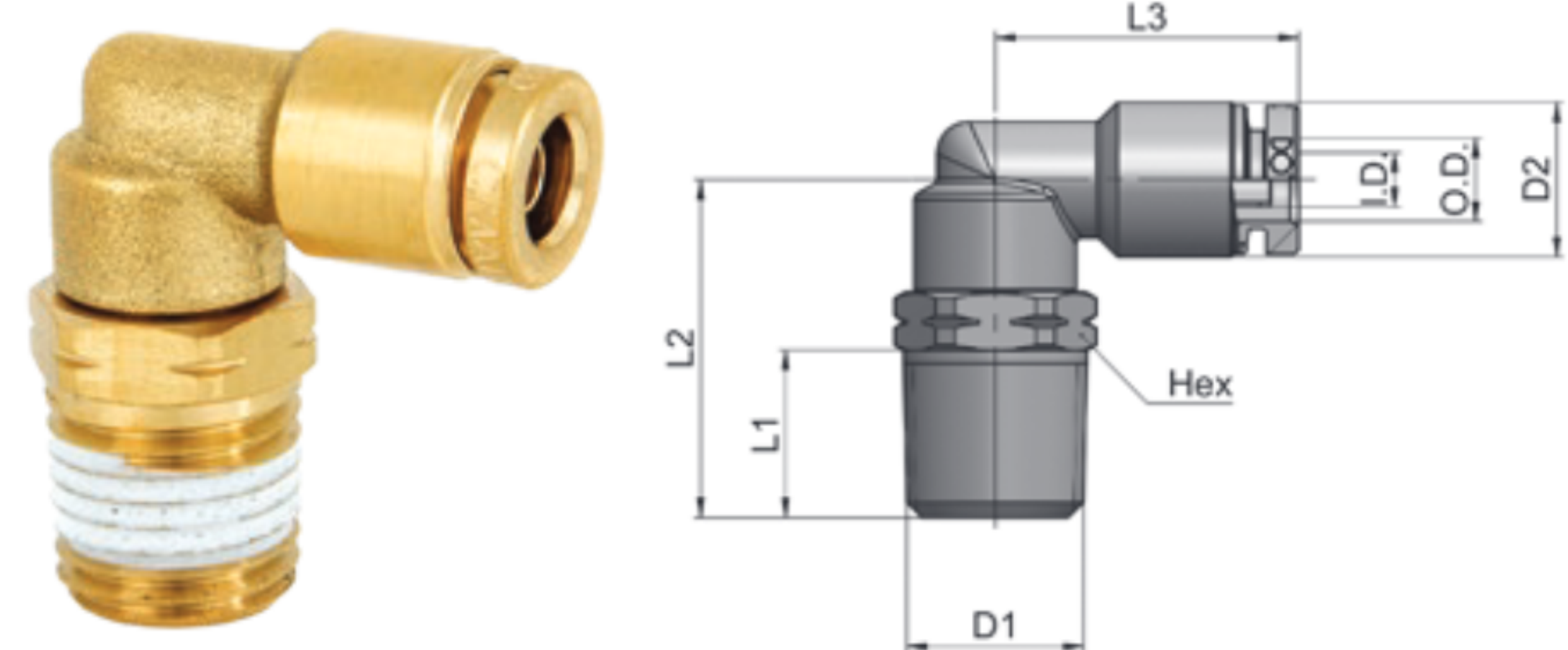
DOT-BRME90 Series
Male Elbow 90°



Part Number	Description	Tube OD (in)	Tube [†] ID (in)	D1 NPTF (in)	D2 (in)	L1 (in)	L2 (in)	L3 (in)	HEX (in)	Weight Each (lbs)	Pieces Per Package*
DOT-BRME90-0402	Male Elbow 90° 1/4 TB X 1/8 NPTF	1/4	.165	1/8	.472	.331	.630	0.866	10	0.032	25
DOT-BRME90-0404	Male Elbow 90° 1/4 TB X 1/4 NPTF	1/4	.165	1/4	.472	.433	.787	0.866	10	0.044	25
DOT-BRME90-0604	Male Elbow 90° 3/8 TB X 1/4 NPTF	3/8	.244	1/4	.630	.472	.886	1.024	14	0.072	25
DOT-BRME90-0606	Male Elbow 90° 3/8 TB X 3/8 NPTF	3/8	.244	3/8	.630	.433	.886	1.024	14	0.079	25

† **NOTE:** The “Tube ID (in)” column heading refers to “Tube Support ID (in)”
*Only sold in package quantities

DOT-BRME90S Series
Male Elbow 90° Swivel



Part Number	Description	Tube OD (in)	Tube [†] ID (in)	D1 NPTF (in)	D2 (in)	L1 (in)	L2 (in)	L3 (in)	HEX (in)	Weight Each (lbs)	Pieces Per Package*
DOT-BRME90S-0402	Male Elbow 90° Swivel 1/4 TB X 1/8 NPTF	1/4	.165	1/8	0.472	.335	0.835	0.925	1/2	0.046	25
DOT-BRME90S-0404	Male Elbow 90° Swivel 1/4 TB X 1/4 NPTF	1/4	.165	1/4	0.472	.512	1.031	0.925	9/16	0.056	25
DOT-BRME90S-0406	Male Elbow 90° Swivel 1/4 TB X 3/8 NPTF	1/4	.165	3/8	0.472	.512	1.051	0.925	11/16	0.071	25
DOT-BRME90S-0602	Male Elbow 90° Swivel 3/8 TB X 1/8 NPTF	3/8	.244	1/8	0.630	.335	0.945	1.063	11/16	0.091	25
DOT-BRME90S-0604	Male Elbow 90° Swivel 3/8 TB X 1/4 NPTF	3/8	.244	1/4	0.630	.512	1.122	1.063	11/16	0.091	25
DOT-BRME90S-0606	Male Elbow 90° Swivel 3/8 TB X 3/8 NPTF	3/8	.244	3/8	0.630	.512	1.122	1.063	11/16	0.091	25
DOT-BRME90S-0608	Male Elbow 90° Swivel 3/8 TB X 1/2 NPTF	3/8	.244	1/2	0.630	.669	1.339	1.063	7/8	0.091	25
DOT-BRME90S-0804	Male Elbow 90° Swivel 1/2 TB X 1/4 NPTF	1/2	.362	1/4	0.787	.512	1.260	1.169	13/16	0.162	25
DOT-BRME90S-0806	Male Elbow 90° Swivel 1/2 TB X 3/8 NPTF	1/2	.362	3/8	0.787	.512	1.260	1.169	13/16	0.151	25
DOT-BRME90S-0808	Male Elbow 90° Swivel 1/2 TB X 1/2 NPTF	1/2	.362	1/2	0.787	.669	1.437	1.169	7/8	0.181	25
DOT-BRME90S-1008	Male Elbow 90° Swivel 5/8 TB X 1/2 NPTF	5/8	.433	1/2	0.945	.669	1.555	1.417	7/8	0.241	10
DOT-BRME90S-1012	Male Elbow 90° Swivel 5/8 TB X 3/4 NPTF	5/8	.433	3/4	0.945	.669	1.555	1.417	1 1/16	0.275	10
DOT-BRME90S-1208	Male Elbow 90° Swivel 3/4 TB X 1/2 NPTF	3/4	.559	1/2	1.063	.669	1.555	1.496	7/8	0.288	10
DOT-BRME90S-1212	Male Elbow 90° Swivel 3/4 TB X 3/4 NPTF	3/4	.559	3/4	1.063	.669	1.555	1.496	1 1/16	0.325	10

† **NOTE:** The “Tube ID (in)” column heading refers to “Tube Support ID (in)”
*Only sold in package quantities

Because we continually examine ways to improve our products, we reserve the right to alter specifications or discontinue products without prior notice.