


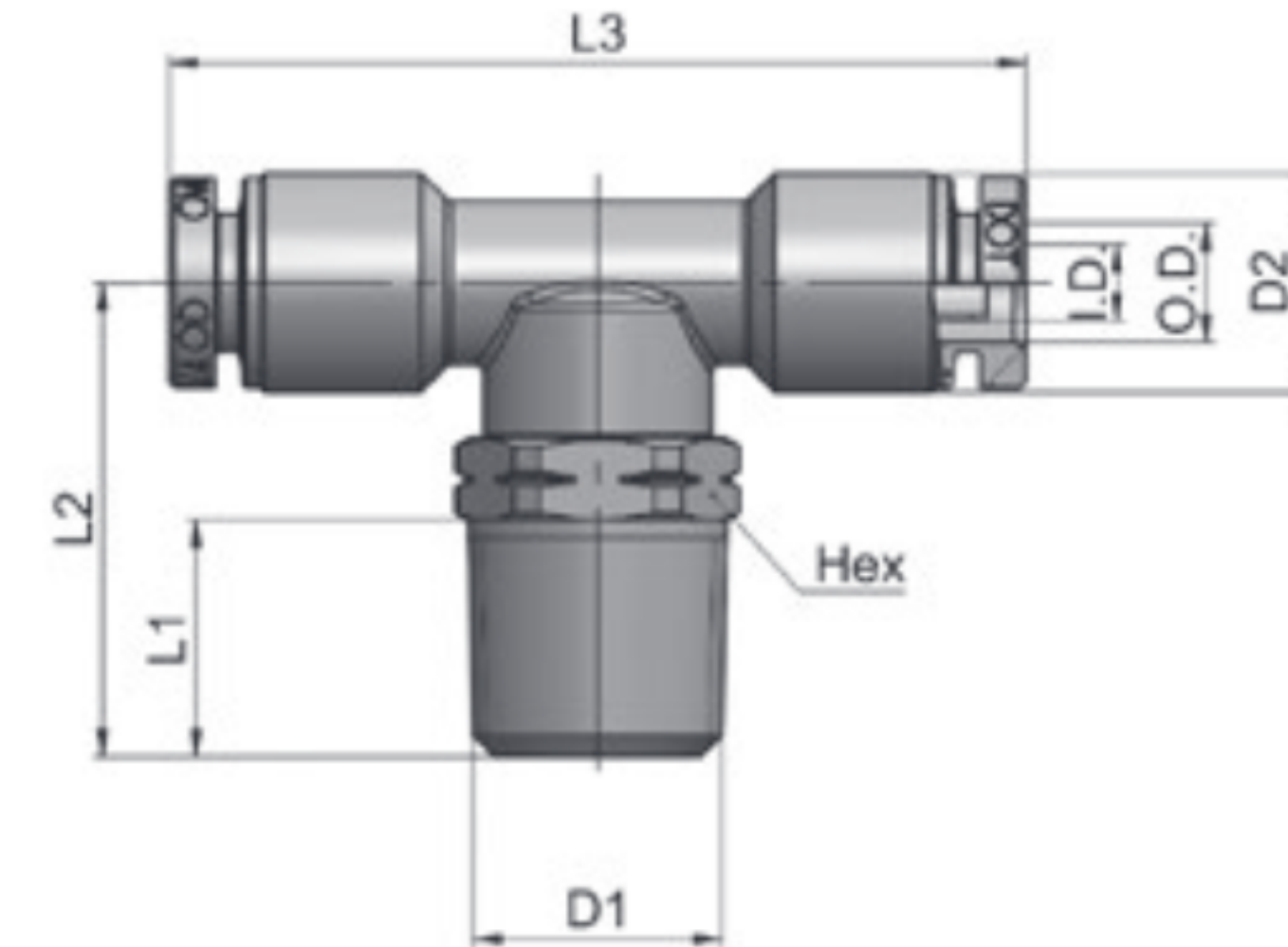
Kuri Tec® ENDURE™
Push-To-Connect DOT Air Brake Fittings –
Tee

VIEW ONLINE



SCAN FOR INFO or visit KOA.link/Tee

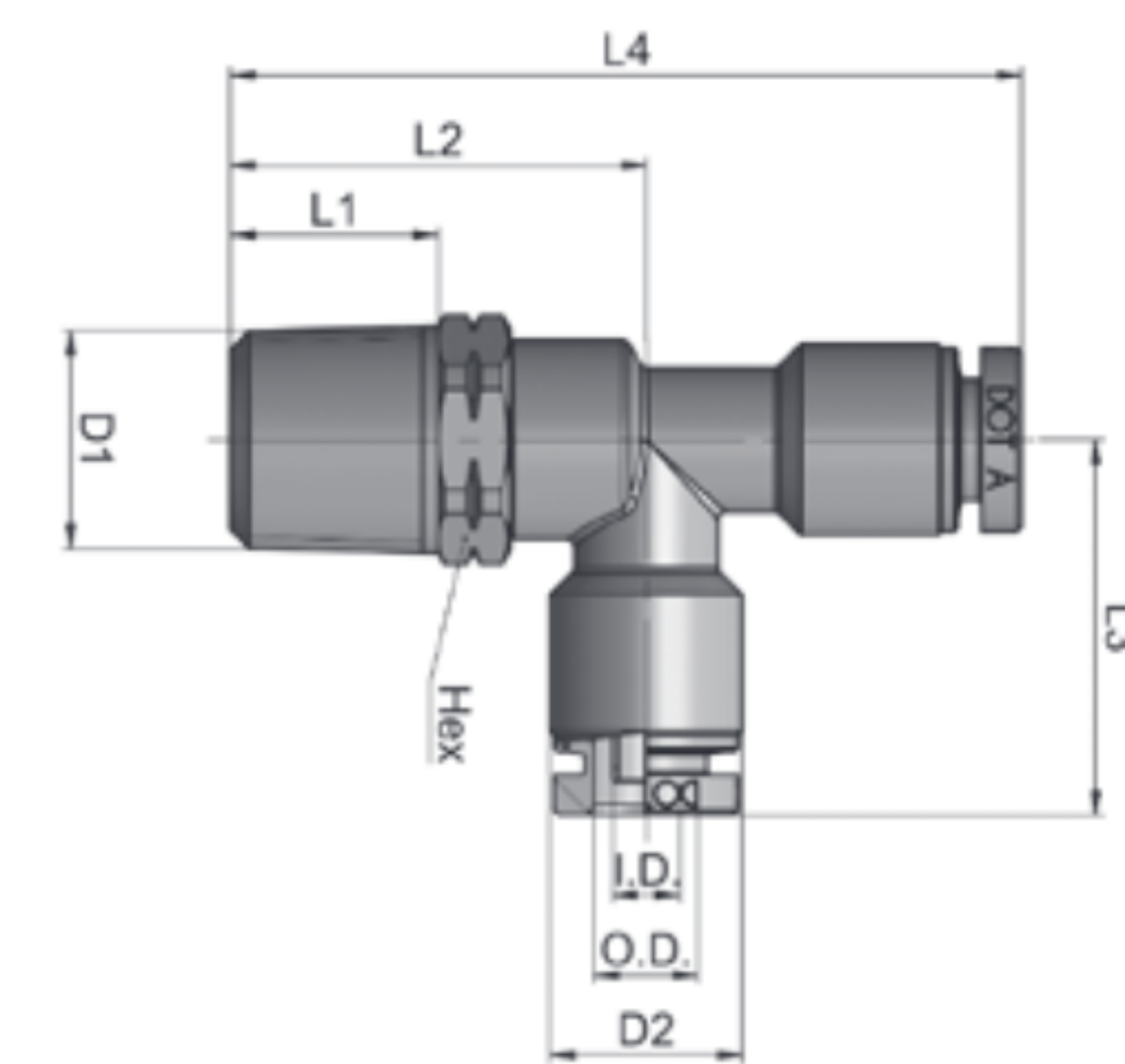
DOT-BRMBTS Series
Male Branch Tee Swivel



Part Number	Description	Tube OD (in)	Tube† ID (in)	D1 NPTF (in)	D2 (in)	L1 (in)	L2 (in)	L3 (in)	HEX (in)	Weight Each (lbs)	Pieces Per Package*
DOT-BRMBTS-0402	Male Branch Tee Swivel 1/4 TB X 1/8 NPTF	1/4	.165	1/8	.472	.335	0.835	1.850	1/2	0.064	25
DOT-BRMBTS-0404	Male Branch Tee Swivel 1/4 TB X 1/4 NPTF	1/4	.165	1/4	.472	.512	1.031	1.850	9/16	0.075	25
DOT-BRMBTS-0406	Male Branch Tee Swivel 1/4 TB X 3/8 NPTF	1/4	.165	3/8	.472	.512	1.051	1.850	11/16	0.091	25
DOT-BRMBTS-0604	Male Branch Tee Swivel 3/8 TB X 1/4 NPTF	3/8	.244	1/4	.630	.512	1.122	2.126	11/16	0.134	25
DOT-BRMBTS-0606	Male Branch Tee Swivel 3/8 TB X 3/8 NPTF	3/8	.244	3/8	.630	.512	1.122	2.126	11/16	0.135	25
DOT-BRMBTS-0608	Male Branch Tee Swivel 3/8 TB X 1/2 NPTF	3/8	.244	1/2	.630	.669	1.339	2.126	7/8	0.178	25
DOT-BRMBTS-0804	Male Branch Tee Swivel 1/2 TB X 1/4 NPTF	1/2	.362	1/4	.787	.512	1.260	2.339	13/16	0.213	25
DOT-BRMBTS-0806	Male Branch Tee Swivel 1/2 TB X 3/8 NPTF	1/2	.362	3/8	.787	.512	1.260	2.339	13/16	0.201	25
DOT-BRMBTS-0808	Male Branch Tee Swivel 1/2 TB X 1/2 NPTF	1/2	.362	1/2	.787	.669	1.437	2.339	7/8	0.228	25

† **NOTE:** The “Tube ID (in)” column heading refers to “Tube Support ID (in)”
*Only sold in package quantities

DOT-BRMRTS Series
Male Run Tee Swivel



Part Number	Description	Tube OD (in)	Tube† ID (in)	D1 NPTF (in)	D2 (in)	L1 (in)	L2 (in)	L3 (in)	L4 (in)	HEX (in)	Weight Each (lbs)	Pieces Per Package*
DOT-BRMRTS-0402	Male Run Tee Swivel 1/4 TB X 1/8 NPTF	1/4	.165	1/8	.472	.335	0.835	0.925	1.752	1/2	0.076	25
DOT-BRMRTS-0404	Male Run Tee Swivel 1/4 TB X 1/4 NPTF	1/4	.165	1/4	.472	.512	1.031	0.925	1.949	9/16	0.074	25
DOT-BRMRTS-0406	Male Run Tee Swivel 1/4 TB X 3/8 NPTF	1/4	.165	3/8	.472	.512	1.051	0.925	1.969	11/16	0.091	25
DOT-BRMRTS-0604	Male Run Tee Swivel 3/8 TB X 1/4 NPTF	3/8	.244	1/4	.630	.512	1.122	1.063	2.185	11/16	0.132	25
DOT-BRMRTS-0606	Male Run Tee Swivel 3/8 TB X 3/8 NPTF	3/8	.244	3/8	.630	.512	1.122	1.063	2.185	11/16	0.135	25
DOT-BRMRTS-0608	Male Run Tee Swivel 3/8 TB X 1/2 NPTF	3/8	.244	1/2	.630	.669	1.339	1.063	2.402	7/8	0.134	25
DOT-BRMRTS-0804	Male Run Tee Swivel 1/2 TB X 1/4 NPTF	1/2	.362	1/4	.787	.512	1.260	1.169	2.429	13/16	0.213	25
DOT-BRMRTS-0806	Male Run Tee Swivel 1/2 TB X 3/8 NPTF	1/2	.362	3/8	.787	.512	1.260	1.169	2.429	13/16	0.199	25
DOT-BRMRTS-0808	Male Run Tee Swivel 1/2 TB X 1/2 NPTF	1/2	.362	1/2	.787	.669	1.437	1.169	2.606	7/8	0.227	25

† **NOTE:** The “Tube ID (in)” column heading refers to “Tube Support ID (in)”
*Only sold in package quantities

Because we continually examine ways to improve our products, we reserve the right to alter specifications or discontinue products without prior notice.