


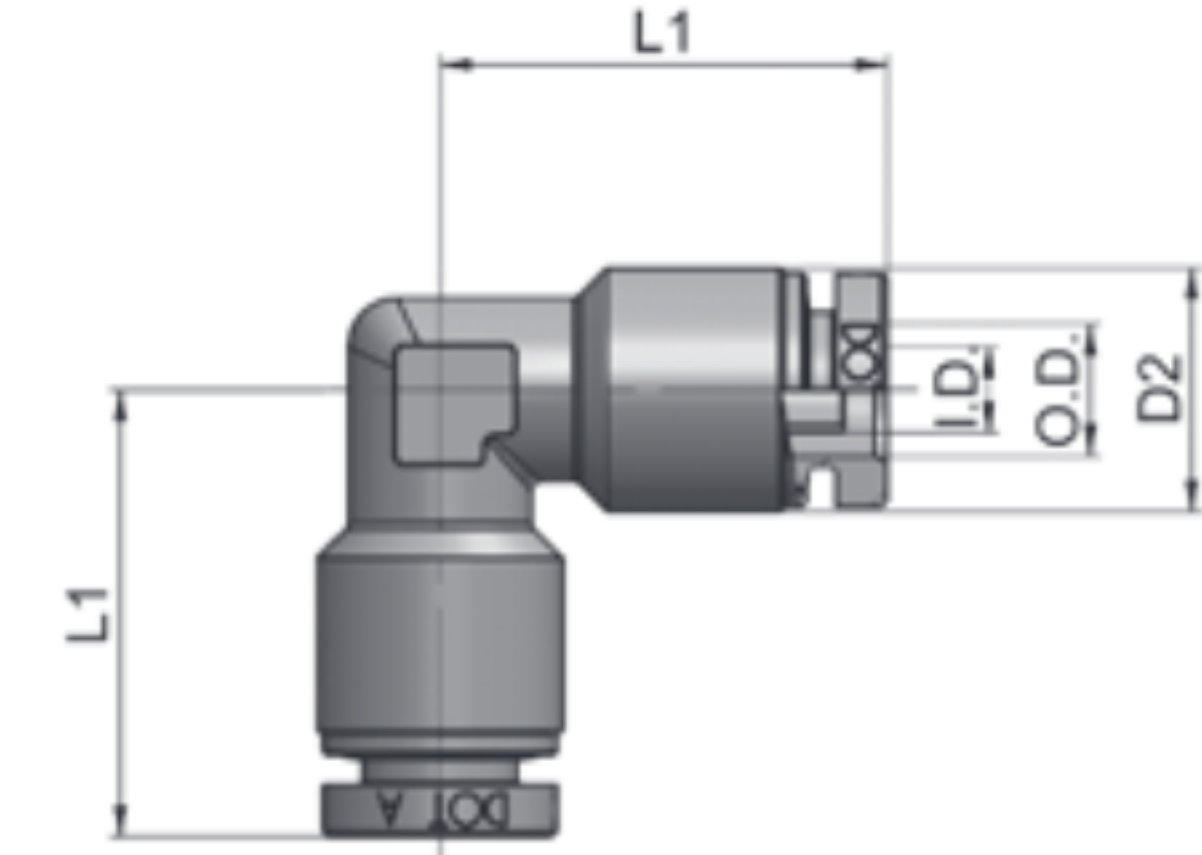
Kuri Tec® ENDURE™
Push-To-Connect DOT Air Brake Fittings –
Union

VIEW ONLINE



SCAN FOR INFO or visit KOA.link/Union

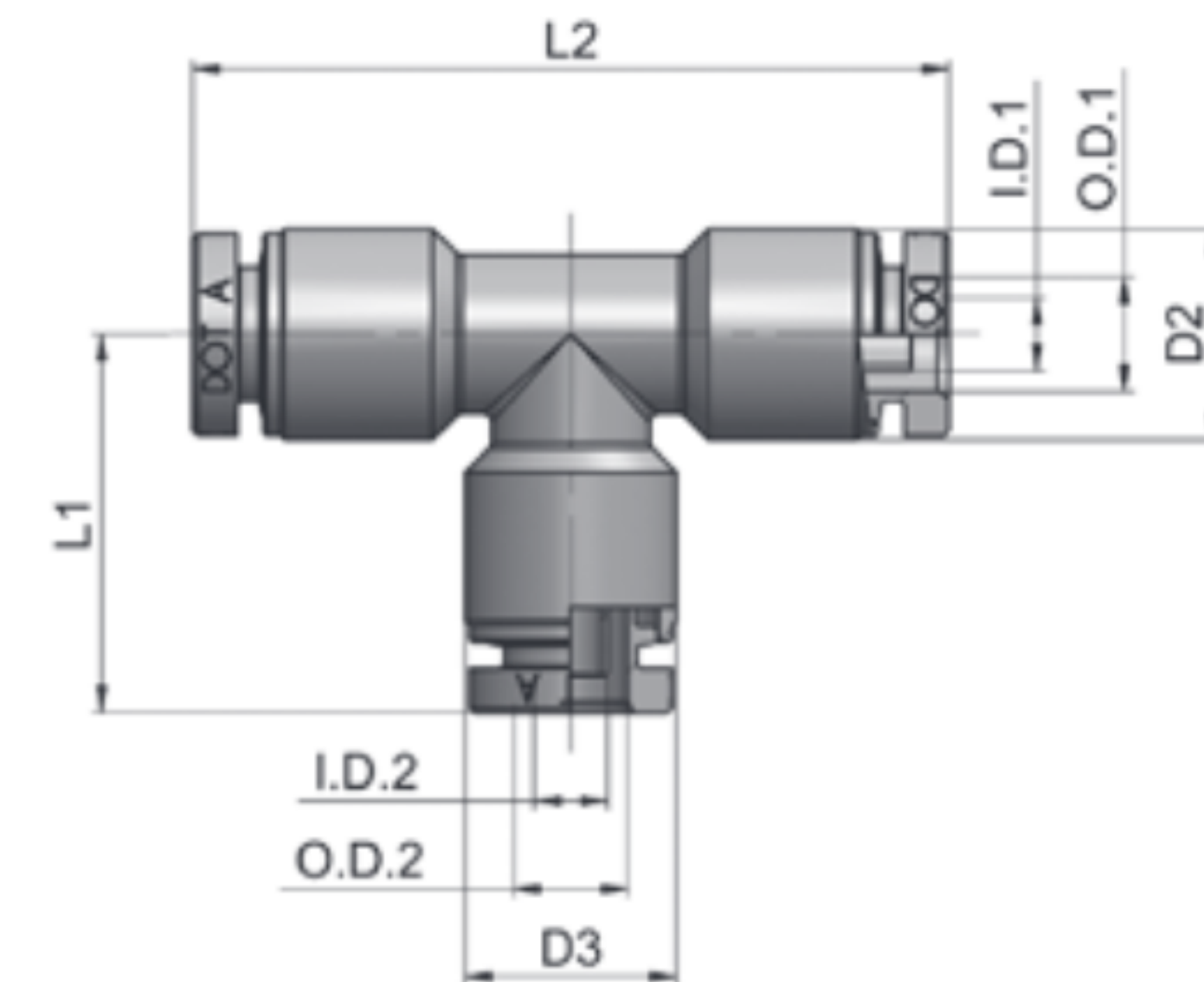
DOT-BRUNE90 Series
Union Elbow 90°



Part Number	Description	Tube OD (in)	Tube† ID (in)	D2 (in)	L1 (in)	Weight Each (lbs)	Pieces Per Package*
DOT-BRUNE90-0404	Union Elbow 90° 1/4 TB X 1/4 TB	1/4	.165	.472	0.866	0.040	25
DOT-BRUNE90-0606	Union Elbow 90° 3/8 TB X 3/8 TB	3/8	.244	.630	1.024	0.084	25
DOT-BRUNE90-0808	Union Elbow 90° 1/2 TB X 1/2 TB	1/2	.362	.787	1.110	0.135	25
DOT-BRUNE90-1010	Union Elbow 90° 5/8 TB X 5/8 TB	5/8	.433	.945	1.398	0.228	10

† **NOTE:** The “Tube ID (in)” column heading refers to “Tube Support ID (in)”
*Only sold in package quantities

DOT-BRUNT Series
Union Tee



Part Number	Description	Tube OD1 (in)	Tube† ID1 (in)	Tube OD2 (in)	Tube† ID2 (in)	D2 (in)	D3 (in)	L1 (in)	L2 (in)	Weight Each (lbs)	Pieces Per Package*
DOT-BRUNT-0404	Union Tee 1/4 TB X 1/4 TB	1/4	.165	1/4	.165	.472	.472	0.846	1.693	0.055	25
DOT-BRUNT-0606	Union Tee 3/8 TB X 3/8 TB	3/8	.244	3/8	.244	.630	.630	1.004	2.008	0.116	25
DOT-BRUNT-0604	Union Tee 3/8 TB X 1/4 TB	3/8	.244	1/4	.165	.630	.472	0.945	2.008	0.106	25
DOT-BRUNT-0808	Union Tee 1/2 TB X 1/2 TB	1/2	.362	1/2	.362	.787	.787	1.063	2.220	0.184	25
DOT-BRUNT-0806	Union Tee 1/2 TB X 3/8 TB	1/2	.362	3/8	.244	.787	.630	1.102	2.220	0.178	25
DOT-BRUNT-1010	Union Tee 5/8 TB X 5/8 TB	5/8	.433	5/8	.433	.945	.945	1.398	2.795	0.359	10

† **NOTE:** The “Tube ID (in)” column heading refers to “Tube Support ID (in)”
*Only sold in package quantities

Because we continually examine ways to improve our products, we reserve the right to alter specifications or discontinue products without prior notice.