



Flanges

CSPF Series (Carbon Steel)

Plate Flange

FEATURES AND ADVANTAGES

- Designed for use in low-pressure applications in noncorrosive environments.
- Commonly used with turn back nipples to create a floating flange.

MATERIAL SPECIFICATIONS

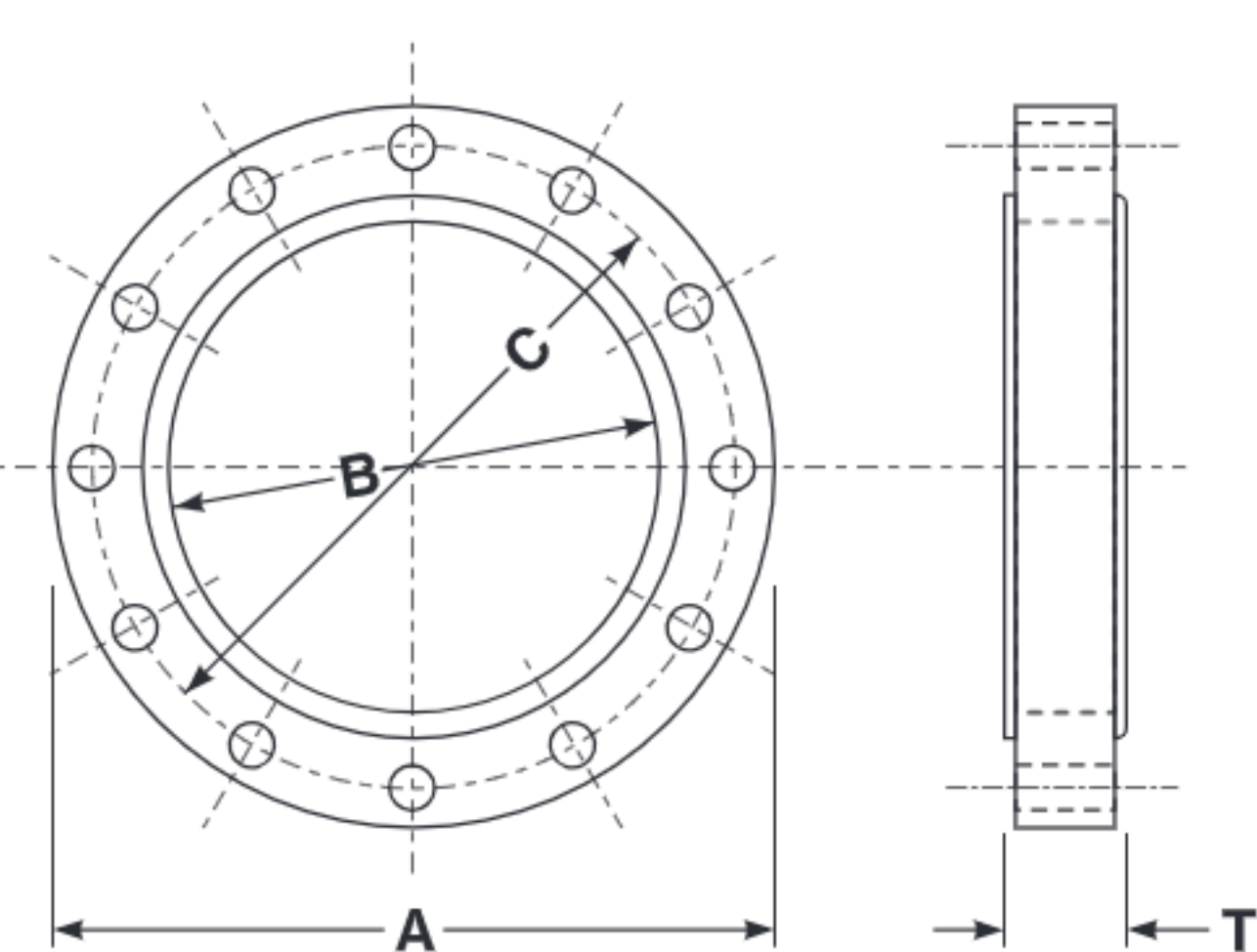
- Forged Carbon Steel.
- ANSI B16.56.
- ASTM A-105.

VIEW ONLINE



SCAN FOR INFO
or visit

KOA.link/Flanges



Part Number	Size (in)	OD A (in)	Bore B	Circle C (in)	Thickness (in)	Number Bolt Holes	Diameter Bolt Holes (in)	PSI Rating at 70°F	Weight Each (lbs)
CSPF0150	1 1/2	5	1.950	3 7/8	5/8	4	5/8	150	2.70
CSPF0200	2	6	2.440	4 3/4	5/8	4	3/4	150	4.10
CSPF0250	2 1/2	7	2.940	5 1/2	5/8	4	3/4	150	5.35
CSPF0300	3	7 1/2	3.570	6	5/8	4	3/4	150	5.80
CSPF0400	4	9	4.570	7 1/2	5/8	8	3/4	150	8.00
CSPF0500	5	10	5.660	8 1/2	3/4	8	7/8	150	10.37
CSPF0600	6	11	6.720	9 1/2	3/4	8	7/8	150	11.76
CSPF0800	8	13 1/2	8.720	11 3/4	1	8	7/8	150	22.48
CSPF1000	10	16	10.880	14 1/4	1	12	1	150	26.83
CSPF1200	12	19	12.880	17	1	12	1	150	42.30

Because we continually examine ways to improve our products, we reserve the right to alter specifications or discontinue products without prior notice.