



## Flanges

### CSRF Series (Carbon Steel)

#### Raised Face Slip-on Flange

#### FEATURES AND ADVANTAGES

- Designed for use in low-pressure applications in noncorrosive environments.
- Flange has no internal stop. To assemble slide a pipe through the flange and weld on both sides.

#### MATERIAL SPECIFICATIONS

- Forged Carbon Steel.
- ANSI B16.56.
- ASTM A-105.

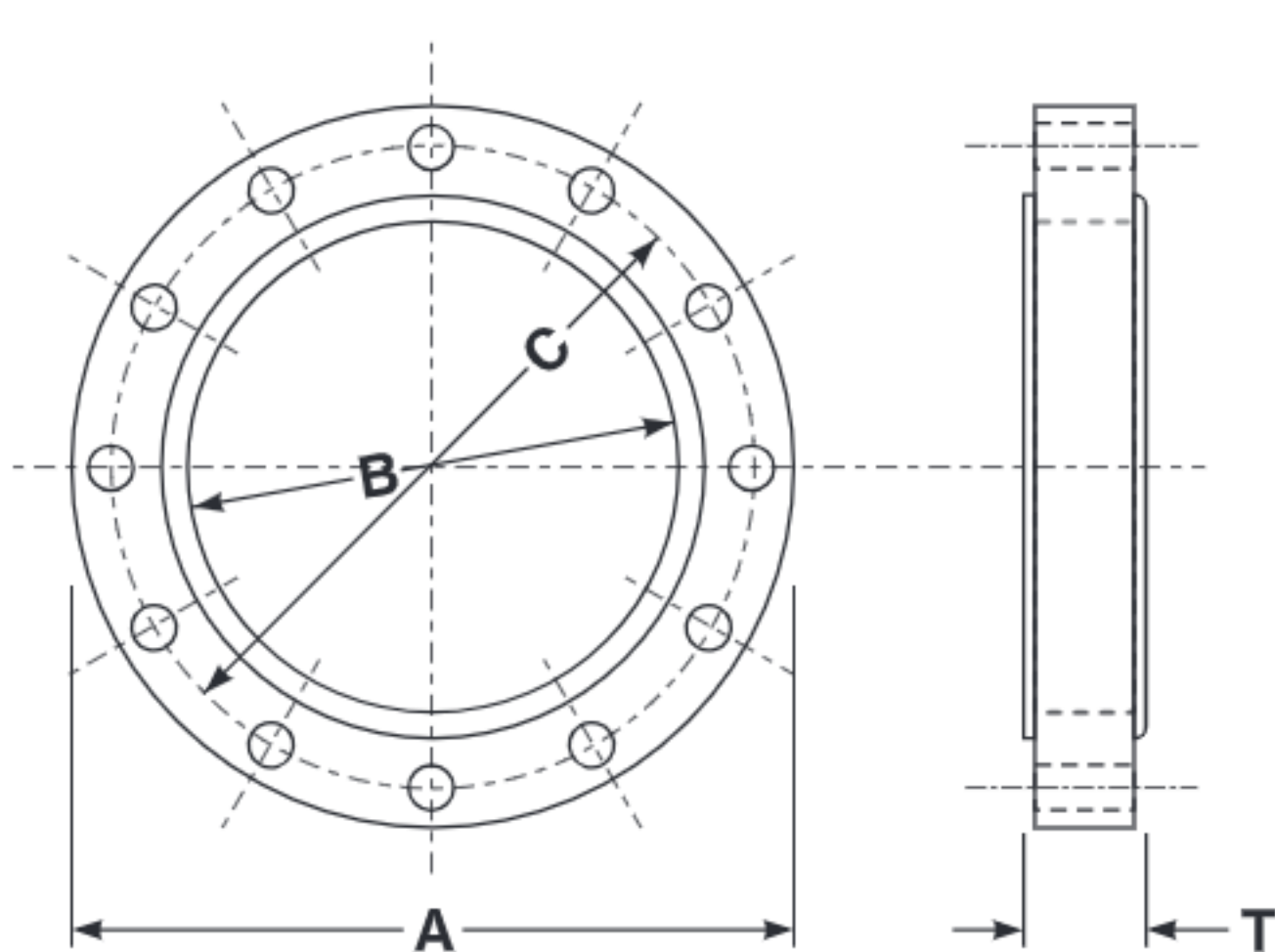
#### VIEW ONLINE



SCAN FOR INFO

or visit

[KOA.link/Flanges](https://KOA.link/Flanges)



Part Number	Size (in)	OD A (in)	Bore B	Circle C (in)	Thickness (in)	Number Bolt Holes	Diameter Bolt Holes (in)	PSI Rating at 70°F	Weight Each (lbs)
CSRF1500150	1 1/2	5	1.950	3 7/8	7/8	4	5/8	150	3.60
CSRF1500200	2	6	2.440	4 3/4	1	4	3/4	150	5.07
CSRF1500300	3	7 1/2	3.570	6	1 1/4	4	3/4	150	7.94
CSRF1500400	4	9	4.570	7 1/2	1 3/8	8	3/4	150	13.01
CSRF1500600	6	11	6.720	9 1/2	1 1/2	8	7/8	150	18.74
CSRF1500800	8	13 1/2	8.720	11 3/4	1 3/4	8	7/8	150	29.98
CSRF1501000	10	16	10.880	14 1/4	2	12	1	150	42.99

Because we continually examine ways to improve our products, we reserve the right to alter specifications or discontinue products without prior notice.