



Flanges

CSRFTHD Series (*Carbon Steel*)

Raised Face Threaded Flange

FEATURES AND ADVANTAGES

- Designed for use in low-pressure applications in noncorrosive environments.
- Designed with female NPT threads for use with male threaded fittings.

MATERIAL SPECIFICATIONS

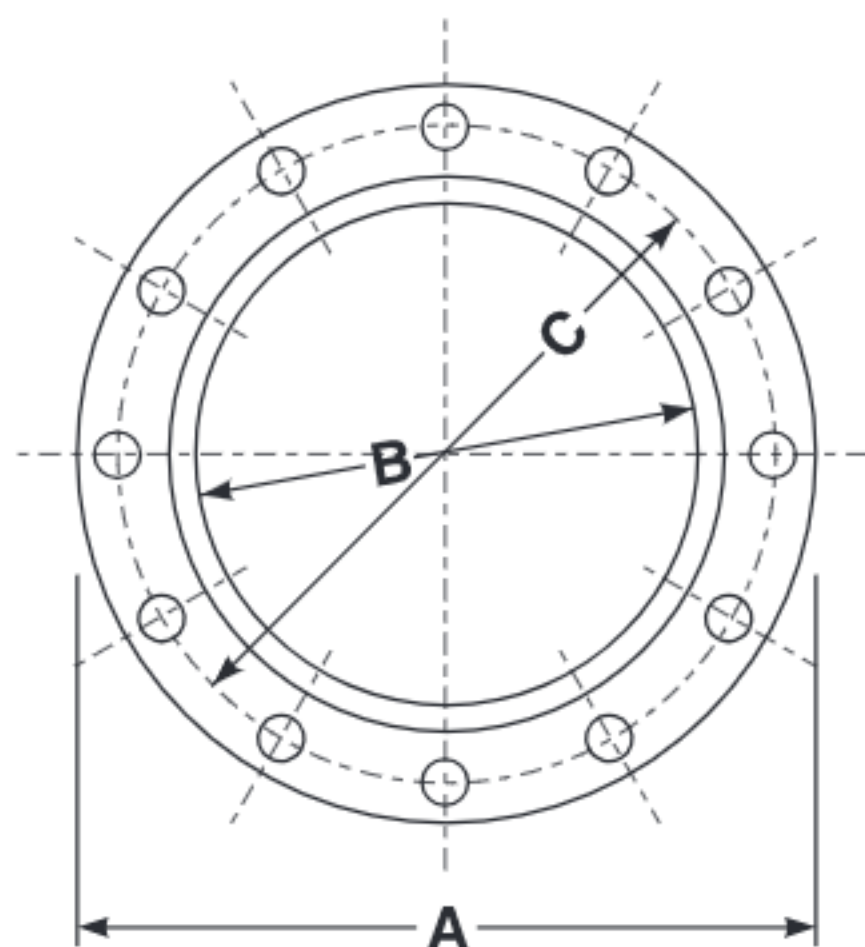
- Forged Carbon Steel.
- ANSI B16.56.
- ASTM A-105.

VIEW ONLINE



SCAN FOR INFO
or visit

KOA.link/Flanges



Part Number	Size (in)	OD A (in)	Bore B	Circle C (in)	Thickness (in)	Number Bolt Holes	Diameter Bolt Holes (in)	PSI Rating at 70°F	Weight Each (lbs)
CSRFTHD1500150	1 1/2	5	1.950	3 7/8	7/8	4	5/8	150	3.60
CSRFTHD1500200	2	6	2.440	4 3/4	1	4	3/4	150	5.07
CSRFTHD1500250	2 1/2	7	2.940	5 1/2	1 1/8	4	3/4	150	7.05
CSRFTHD1500300	3	7 1/2	3.570	6	1 1/4	4	3/4	150	7.94
CSRFTHD1500400	4	9	4.570	7 1/2	1 3/8	8	3/4	150	13.01
CSRFTHD1500600	6	11	6.720	9 1/2	1 1/2	8	7/8	150	18.74
CSRFTHD1500800	8	13 1/2	8.720	11 3/4	1 3/4	8	7/8	150	29.98
CSRFTHD1501000	10	16	10.880	14 1/4	2	12	1	150	42.99
CSRFTHD1501200	12	19	12.880	17	2 1/8	12	1	150	63.93

Because we continually examine ways to improve our products, we reserve the right to alter specifications or discontinue products without prior notice.