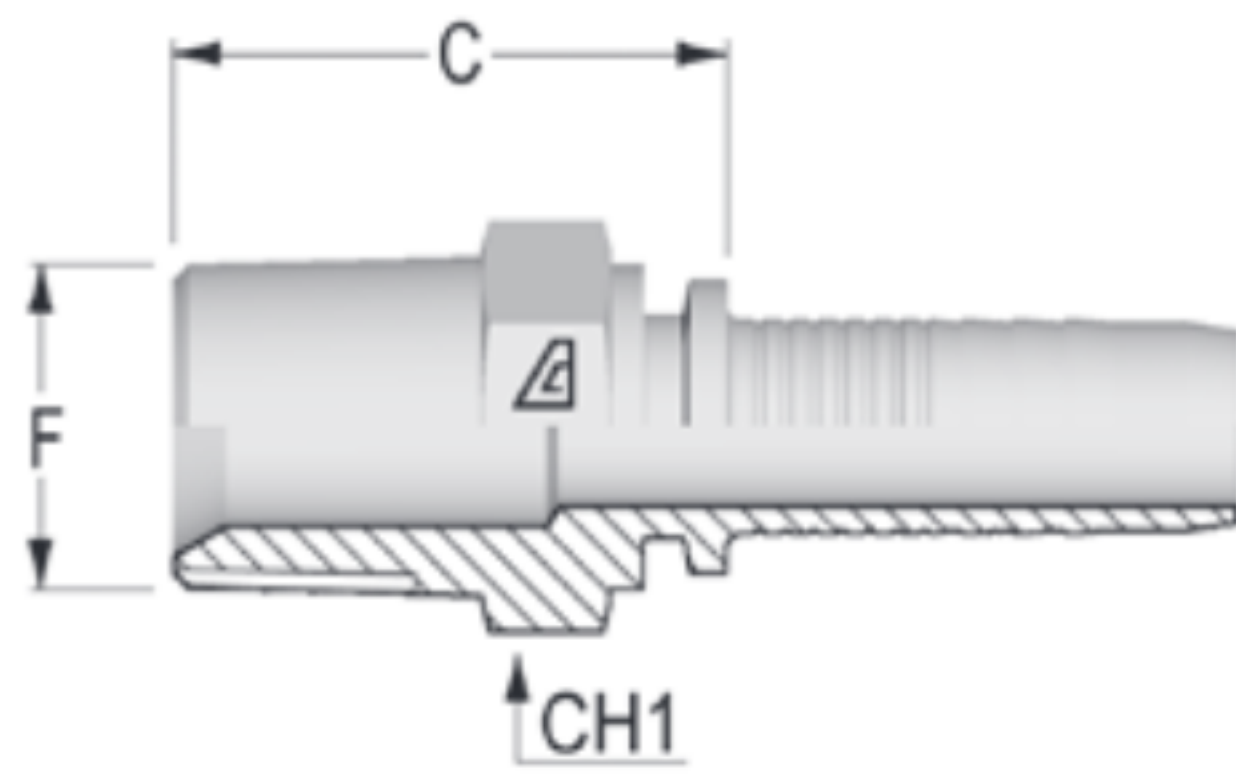


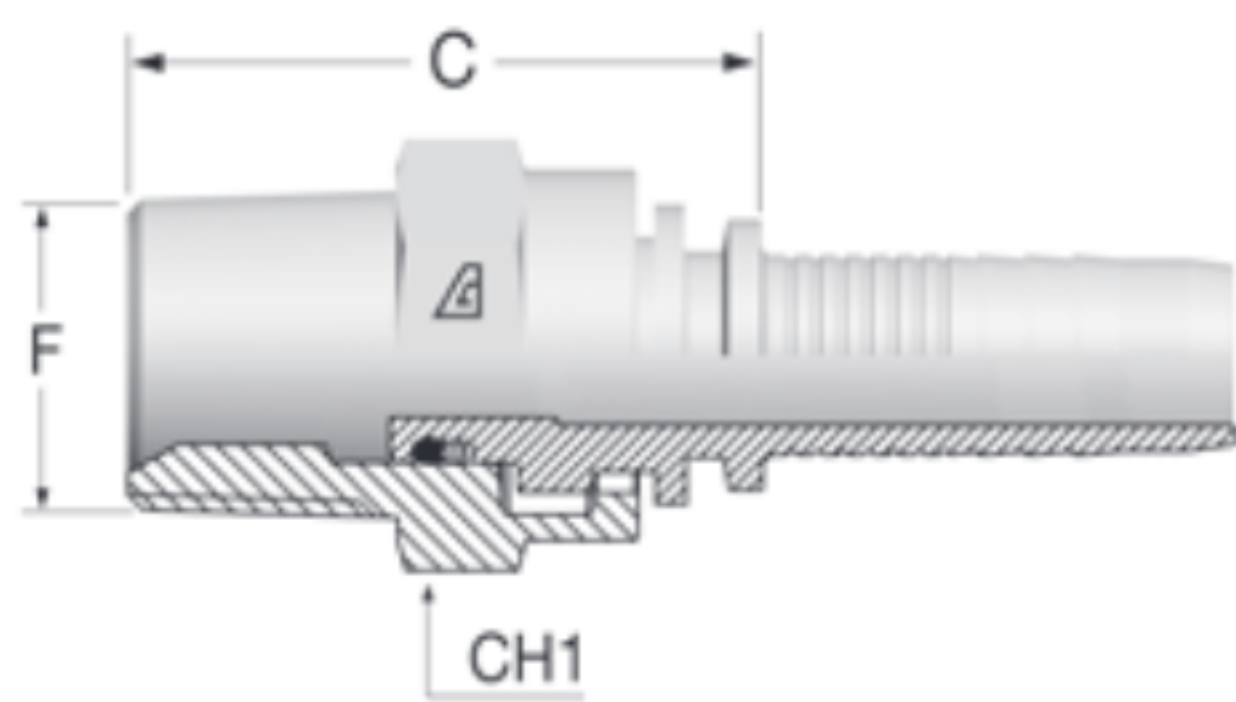
ALFAGOMMA® Two-Piece Fittings – A Series

Inserts –  US End Configurations



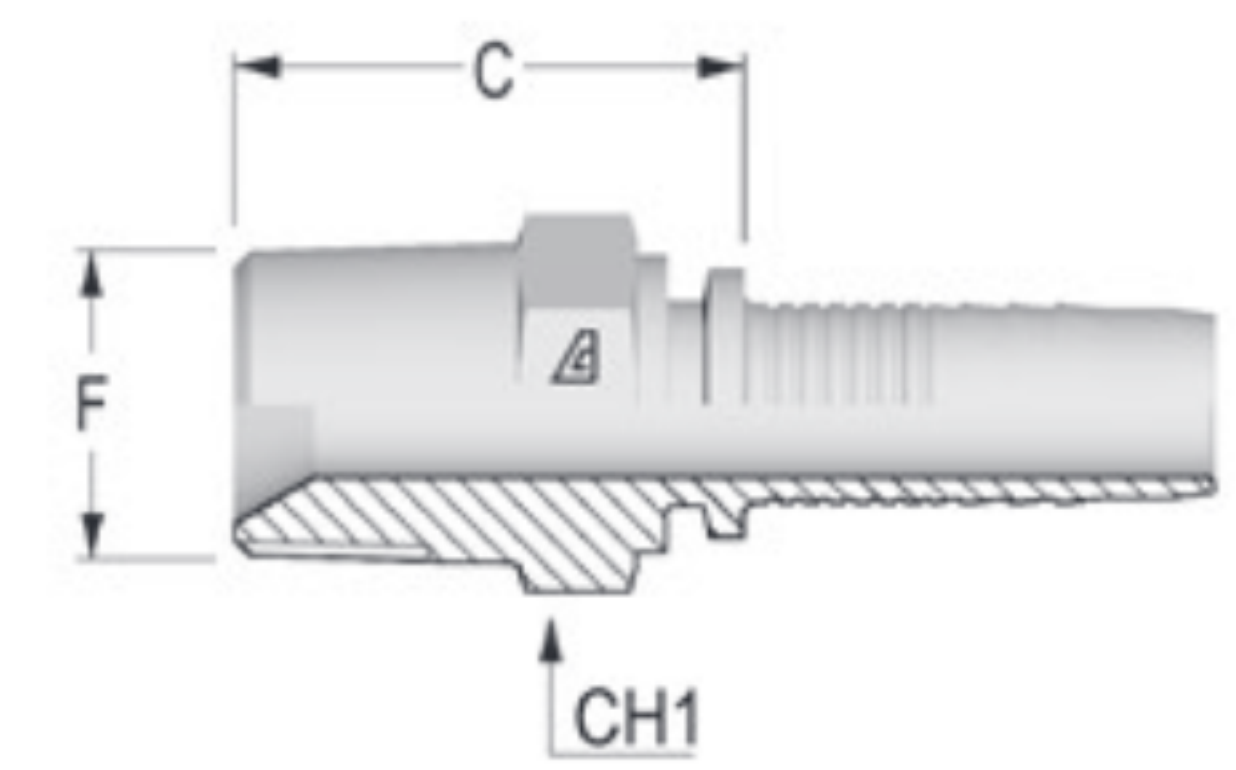
MNPT MALE 60° SEAT STAINLESS STEEL

Part Number	Dash Size	Hose ID Size		F Thread		C Cut-Off Factor (mm)	Hex Dia. CH1 (mm)	Weight (lbs/each)
		(in)	(mm)	Dash Size	Size (in) - TPI			
A-0404-MNPT-SS	04	1/4	6.4	04	1/4-18	26.8	17	0.06
A-0606-MNPT-SS	06	3/8	9.5	06	3/8-18	27.8	19	0.09
A-0808-MNPT-SS	08	1/2	12.7	08	1/2-14	32.1	22	0.17
A-1008-MNPT-SS	10	5/8	15.9	08	1/2-14	32.1	27	0.23
A-1012-MNPT-SS	10	5/8	15.9	12	3/4-14	34.1	27	0.24
A-1212-MNPT-SS	12	3/4	19.0	12	3/4-14	34.6	27	0.26
A-1616-MNPT-SS	16	1	25.4	16	1-11 1/2	44.4	36	0.53
A-2020-MNPT-SS	20	1 1/4	31.8	20	1 1/4-11 1/2	49.0	46	0.90
A-2424-MNPT-SS	24	1 1/2	38.1	24	1 1/2-11 1/2	50.5	50	1.10
A-3232-MNPT-SS	32	2	50.8	32	2-11 1/2	54.2	65	2.87



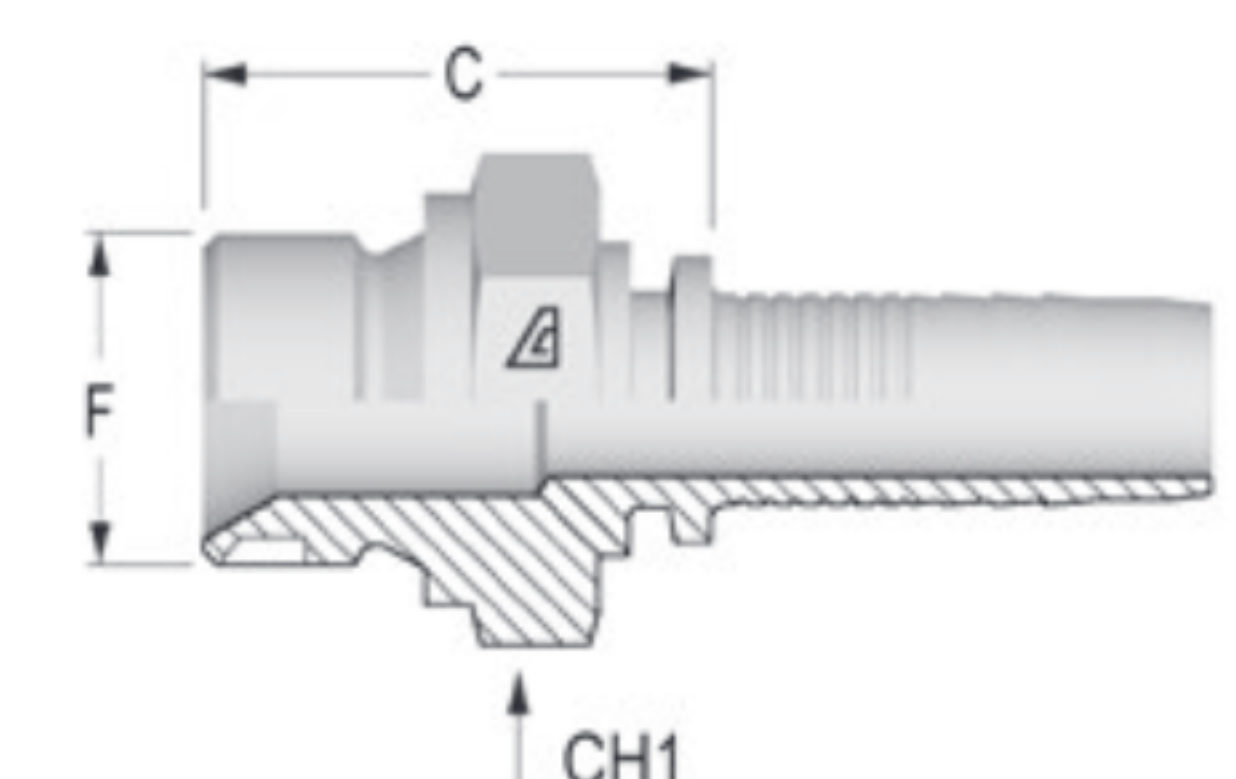
MNPS MALE SWIVEL 60° SEAT STAINLESS STEEL

Part Number	Dash Size	Hose ID Size		F Thread		C Cut-Off Factor (mm)	Hex Dia. CH1 (mm)	Weight (lbs/each)
		(in)	(mm)	Dash Size	Size (in) - TPI			
A-0404-MNPS-SS	04	1/4	6.4	04	1/4-18	37.6	17	0.09
A-0606-MNPS-SS	06	3/8	9.5	06	3/8-18	37.5	22	0.15
A-0808-MNPS-SS	08	1/2	12.7	08	1/2-14	42.3	25	0.25
A-1008-MNPS-SS	10	5/8	15.9	08	1/2-14	45.1	27	.027
A-1012-MNPS-SS	10	5/8	15.9	12	3/4-14	47.3	27	0.29
A-1212-MNPS-SS	12	3/4	19.0	12	3/4-14	50.1	32	0.31
A-1616-MNPS-SS	16	1	25.4	16	1-11 1/2	57.9	41	0.63



BSPT/JIS MALE TAPERED

Part Number	Dash Size	Hose ID Size		F Thread		C Cut-Off Factor (mm)	Hex Dia. CH1 (mm)	Weight (lbs/each)
		(in)	(mm)	Dash Size	Size (in) - TPI			
A-0808-MBPT-SS	08	1/2	12.7	08	1/2-14	34.1	22	0.17
A-1010-MBPT-SS	10	5/8	15.9	10	5/8-14	34.1	30	0.22
A-1212-MBPT-SS	12	3/4	19.0	12	3/4-14	34.6	27	0.27
A-1616-MBPT-SS	16	1	25.4	16	1-11	43.4	36	0.53



BSP MALE PARALLEL 60° SEAT

Part Number	Dash Size	Hose ID Size		F Thread		C Cut-Off Factor (mm)	Hex Dia. CH1 (mm)	Weight (lbs/each)
		(in)	(mm)	Dash Size	Size (in) - TPI			
A-0808-MBPP-SS	08	1/2	12.7	08	1/2-14	32.1	27	0.20
A-1010-MBPP-SS	10	5/8	15.9	10	5/8-14	36.1	30	0.27
A-1212-MBPP-SS	12	3/4	19.0	12	3/4-14	34.6	32	0.31
A-1616-MBPP-SS	16	1	25.4	16	1-11	40.4	41	0.58

Because we continually examine ways to improve our products, we reserve the right to alter specifications or discontinue products without prior notice.