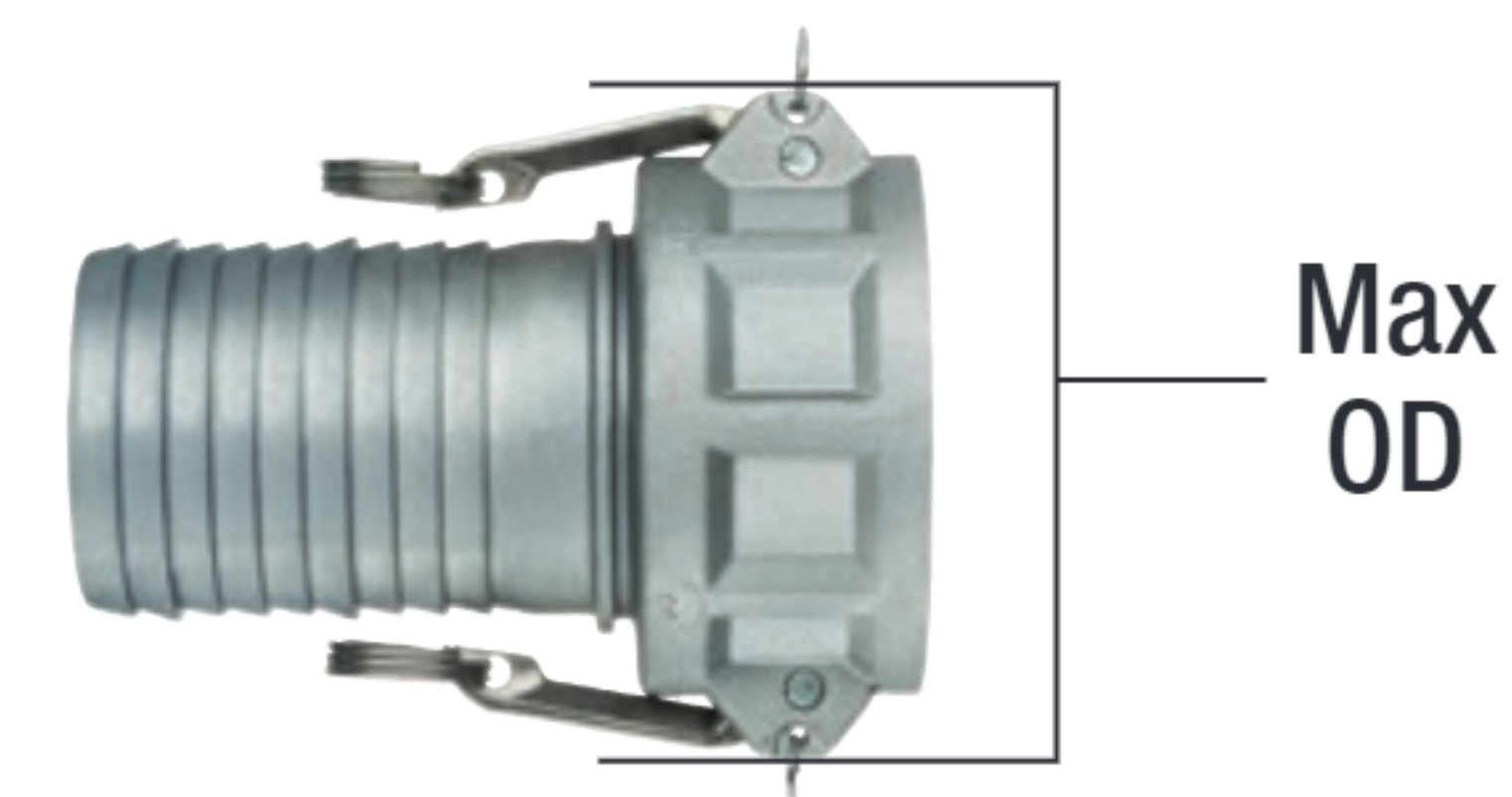


These charts list the maximum outside dimension of various KOA Couplings in order to assist with determining whether the coupling will fit through the crimper opening.



## Camlock, Female

AL-C, BR-C, SS-C, SS304-C, PPC & GRC SERIES\*

| Size (in) | OD of Largest Dim. (mm) |
|-----------|-------------------------|
| 1/2       | 38.5                    |
| 3/4       | 52.6                    |
| 1         | 62.2                    |
| 1 1/4     | 80.2                    |
| 1 1/2     | 87.8                    |
| 2         | 97.2                    |
| 2 1/2     | 109.9                   |
| 3         | 137.1                   |
| 4         | 165.0                   |
| 5         | 191.1                   |
| 6         | 240.0                   |
| 8         | 289.0                   |
| 10        | 327.0                   |

*Note: Locking handles may impact crimping capacity.*

## Camlock, Male

AL-E, BR-E, SS-E, SS304-E, PPE & GRE SERIES\*

| Size (in) | OD of Largest Dim. (mm) |
|-----------|-------------------------|
| 1/2       | 30.2                    |
| 3/4       | 34.0                    |
| 1         | 40.0                    |
| 1 1/4     | 50.0                    |
| 1 1/2     | 60.0                    |
| 2         | 68.0                    |
| 2 1/2     | 82.0                    |
| 3         | 100.0                   |
| 4         | 130.0                   |
| 5         | 154.0                   |
| 6         | 183.0                   |
| 8         | 231.0                   |
| 10        | 263.0                   |

## Ball & Socket, Female (Type B)

SLB-FH SERIES\*

| Size (in) | OD of Largest Dim. (mm) |
|-----------|-------------------------|
| 2         | 83.0                    |
| 3         | 117.0                   |
| 4         | 166.0                   |
| 6         | 159.0                   |
| 8         | 267.0                   |
| 10        | 346.0                   |
| 12        | 401.0                   |

## Ball & Socket, Male (Type B)<sup>†</sup>

SLB-MH SERIES WITH SLB-LR LEVER HANDLE\*

| Size (in) | OD of Largest Dim. (mm) |
|-----------|-------------------------|
| 2         | 158.0                   |
| 3         | 190.0                   |
| 4         | 295.0                   |
| 6         | 320.0                   |
| 8         | 380.0                   |
| 10        | 485.0                   |
| 12        | 528.0                   |

<sup>†</sup>Measured over locking ring

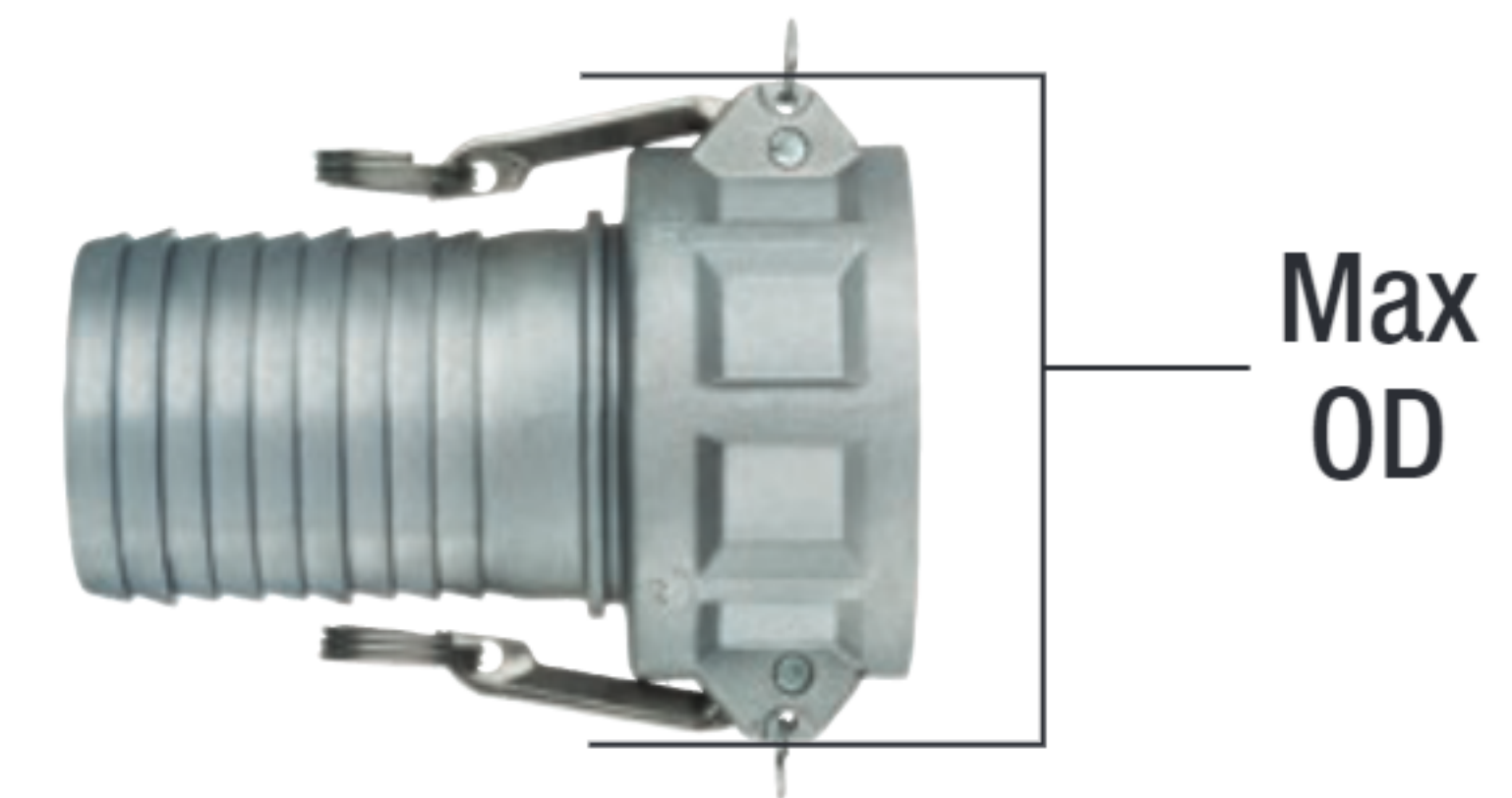
### \* FOR ADDITIONAL INFORMATION

For more information on these products refer to the Kuriyama Couplings Catalog at [koa.link/KOA-Couplings-Catalog](http://koa.link/KOA-Couplings-Catalog) or [kuriyama.com](http://kuriyama.com)

Because we continually examine ways to improve our products, we reserve the right to alter specifications or discontinue products without prior notice.



These charts list the maximum outside dimension of KOA Couplings in order to assist with determining whether the coupling will fit through the crimper opening.



## Ball & Socket, Female (Type A)

### SLA-FH SERIES\*

| Size (in) | OD of Largest Dim. (mm) |
|-----------|-------------------------|
| 10        | 492.0                   |
| 12        | 600.0                   |

## Ball & Socket, Male (Type A)

### SLA-MH SERIES\*

| Size (in) | OD of Largest Dim. (mm) |
|-----------|-------------------------|
| 10        | 358.0                   |
| 12        | 446.0                   |

## Sanitary, Tri-Clamp

### TCS-SS SERIES\*

| Size (in) | OD of Largest Dim. (mm) |
|-----------|-------------------------|
| 1         | 50.5                    |
| 1 1/2     | 50.5                    |
| 2         | 64.0                    |
| 2 1/2     | 77.5                    |
| 3         | 91.0                    |
| 4         | 119.0                   |

## Sanitary, I-Line

### FILS-SS & MILS-SS SERIES\*

| Size (in) | OD of Largest Dim. (mm) |
|-----------|-------------------------|
| 1 1/2     | 50.8                    |
| 2         | 67.0                    |
| 2 1/2     | 84.0                    |
| 3         | 98.5                    |
| 4         | 123.9                   |

## Sanitary Bevel Seat, Female<sup>†</sup>

### FBS-SS SERIES WITH HNS HEX NUT\*

| Size (in) | OD of Largest Dim. (mm) |
|-----------|-------------------------|
| 1         | 46.0                    |
| 1 1/2     | 61.1                    |
| 2         | 76.2                    |
| 2 1/2     | 91.3                    |
| 3         | 106.4                   |
| 4         | 137.6                   |

## Sanitary Bevel Seat, Male

### MBS-SS SERIES\*

| Size (in) | OD of Largest Dim. (mm) |
|-----------|-------------------------|
| 1         | 37.1                    |
| 1 1/2     | 50.7                    |
| 2         | 64.2                    |
| 2 1/2     | 77.7                    |
| 3         | 91.2                    |
| 4         | 119.3                   |

<sup>†</sup>Measured over nut OD

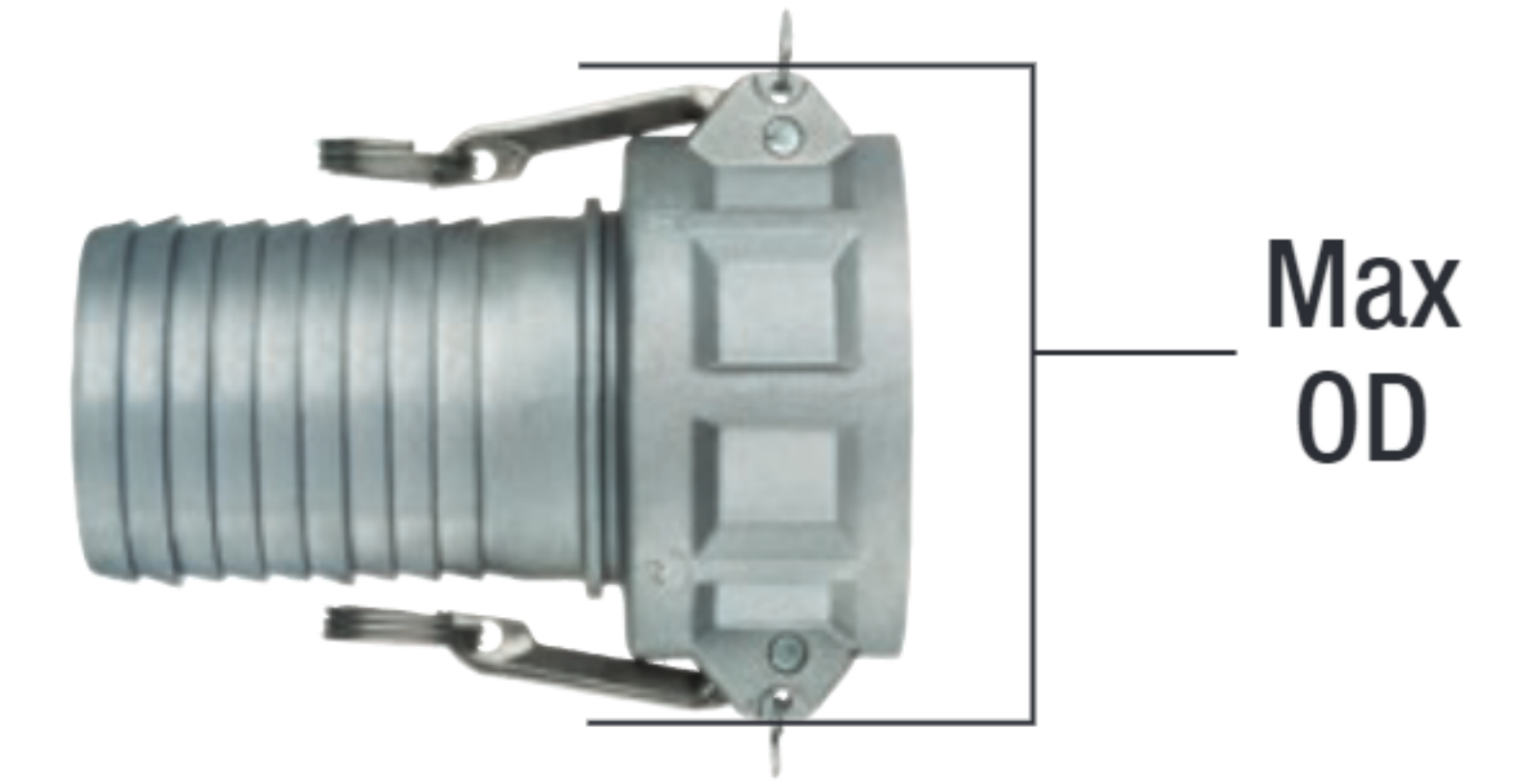
#### \* FOR ADDITIONAL INFORMATION

For more information on these products refer to the Kuriyama Couplings Catalog at [koa.link/KOA-Couplings-Catalog](http://koa.link/KOA-Couplings-Catalog) or [kuriyama.com](http://kuriyama.com)

Because we continually examine ways to improve our products, we reserve the right to alter specifications or discontinue products without prior notice.



These charts list the maximum outside dimension of KOA Couplings in order to assist with determining whether the coupling will fit through the crimper opening.



## Nipples

STN, SPN, HEX-STN, HEX, SPN, GEN, SSN304, SSN, PPN AND GRN SERIES\*

| Size (in) | OD of Largest Dim. (mm) |
|-----------|-------------------------|
| 1/2       | 21.3                    |
| 3/4       | 26.7                    |
| 1         | 33.4                    |
| 1 1/4     | 42.2                    |
| 1 1/2     | 48.3                    |
| 2         | 60.3                    |
| 2 1/2     | 73.1                    |
| 3         | 101.6                   |
| 4         | 114.3                   |
| 6         | 168.3                   |
| 8         | 219.1                   |
| 10        | 273.0                   |
| 12        | 323.8                   |

## Ground Joints, Female<sup>†</sup>

GJ & SHGJ-CR SERIES WITH WINGNUT\*

| Size (in) | OD of Largest Dim. (mm) |
|-----------|-------------------------|
| 1/2       | 59.5                    |
| 3/4       | 89.0                    |
| 1         | 111.8                   |
| 1 1/4     | 111.8                   |
| 1 1/2     | 145.5                   |
| 2         | 145.5                   |
| 2 1/2     | 180.0                   |
| 3         | 204.5                   |
| 4         | 242.0                   |

<sup>†</sup>Measured over wingnut OD

## Pin Lugs, Female<sup>†</sup>

AB, BB, ABF, FHNST AND FHNST-F SERIES\*

| Size (in) | OD of Largest Dim. (mm) |
|-----------|-------------------------|
| 1 1/2     | 81.0                    |
| 2         | 90.6                    |
| 2 1/2     | 114.5                   |
| 3         | 123.0                   |
| 4         | 157.0                   |
| 6         | 216.8                   |

<sup>†</sup>Measured over wingnut OD

## Concrete Couplings

CHC-CA SERIES\*

| Size (in) | OD of Largest Dim. (mm) |
|-----------|-------------------------|
| 2         | 88.9                    |
| 2 1/2     | 108.0                   |
| 3         | 127.0                   |
| 4         | 159.0                   |
| 5         | 193.8                   |

## Ground Joints, Male

GJM & D-XXXX-MNPT SERIES\*

| Size (in) | OD of Largest Dim. (mm) |
|-----------|-------------------------|
| 1/2       | 21.8                    |
| 3/4       | 27.7                    |
| 1         | 34.2                    |
| 1 1/4     | 41.6                    |
| 1 1/2     | 45.8                    |
| 2         | 58.9                    |
| 2 1/2     | 73.0                    |
| 3         | 87.9                    |
| 4         | 113.3                   |

### \* FOR ADDITIONAL INFORMATION

For more information on these products refer to the Kuriyama Couplings Catalog at [koa.link/KOA-Couplings-Catalog](http://koa.link/KOA-Couplings-Catalog) or [kuriyama.com](http://kuriyama.com)

Because we continually examine ways to improve our products, we reserve the right to alter specifications or discontinue products without prior notice.