

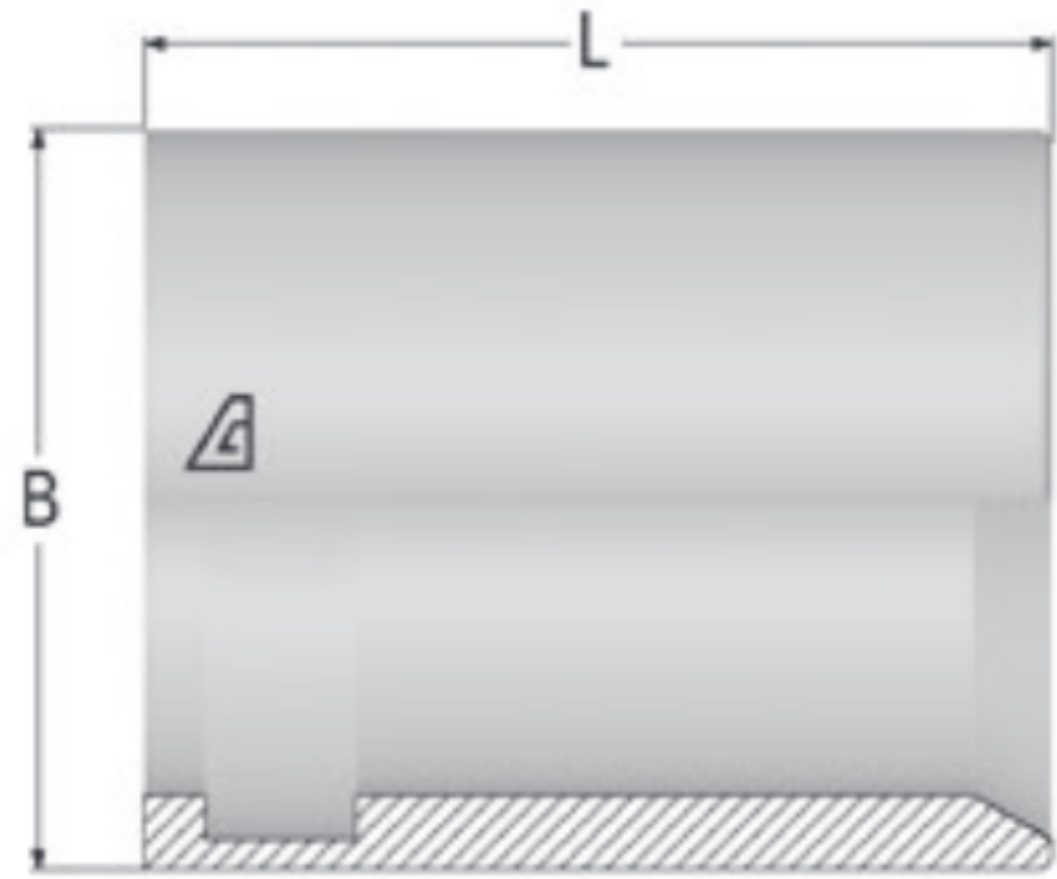
Two-Piece Fittings

- AFT, AFX Series



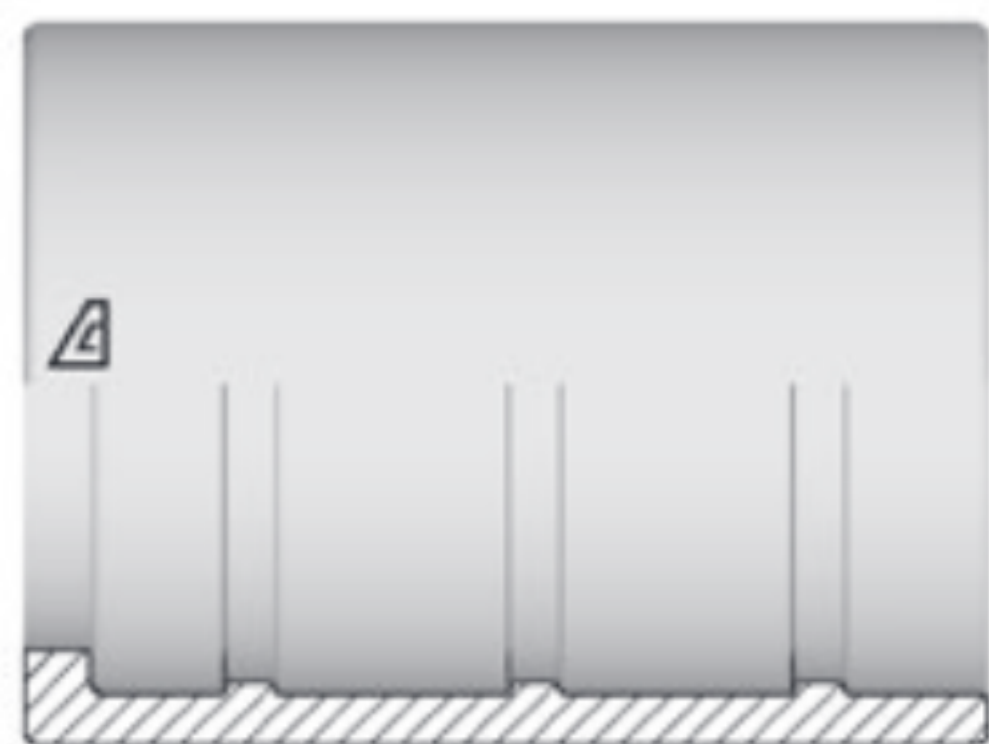
A Series Non-Skive Ferrules

AFT – Stainless Steel



Part Number	Dash Size	Hose ID Size		B OD (mm)	L Length (mm)	Weight (lbs/each)
		(in)	(mm)			
AFT-03	03	3/16	4.8	14.0	20	0.02
AFT-04	04	1/4	6.4	15.0	25	0.03
AFT-05	05	5/16	7.9	17.2	25	0.04
AFT-06	06	3/8	9.5	22.0	25	0.07
AFT-08	08	1/2	12.7	25.0	30	0.08
AFT-10	10	5/8	15.9	30.0	33	0.11
AFT-12	12	3/4	19.0	35.0	37	0.15
AFT-16	16	1	25.4	42.0	45	0.26
AFT-20	20	1 1/4	31.8	50.0	48	0.34
AFT-24	24	1 1/2	38.1	57.0	58	0.48
AFT-32	32	2	50.8	73.0	67	0.73

AFX



Part Number	Dash Size	Hose ID Size		B OD (mm)	L Length (mm)	Weight (lbs/each)
		(in)	(mm)			
AFX-03	03	3/16	4.8	21	21.5	0.05
AFX-04	04	1/4	6.4	23	24.7	0.07
AFX-05	05	5/16	7.9	25	24.7	0.08
AFX-06	06	3/8	9.5	27	29.7	0.10
AFX-08	08	1/2	12.7	30	30.5	0.11
AFX-10	10	5/8	15.9	34	35.5	0.15
AFX-12	12	3/4	19.0	38	36.0	0.17
AFX-16	16	1	25.4	48	42.5	0.28
AFX-20	20	1 1/4	31.8	53	56.5	0.42
AFX-24	24	1 1/2	38.1	60	61.5	0.45
AFX-32	32	2	50.8	76	73.5	0.82
AFX-40	40	2 1/2	63.5	89	85.0	1.29
AFX-48	48	3	76.2	108	111.0	2.40

NOTE: Also available in stainless steel in some sizes. To order stainless, add -SS to the end of the part number. Example: A-0606-XXXX-SS

Because we continually examine ways to improve our products, we reserve the right to alter specifications or discontinue products without prior notice.

HOSES
ONE-PIECE B SERIES
ONE-PIECE D SERIES
ONE-PIECE F & P SERIES
TWO-PIECE FERRULES (A & PFR SERIES)
TWO-PIECE INSERTS (A SERIES)
TWO-PIECE INTERLOCK FERRULES & INSERTS (X & Z SERIES)
QUICK RELEASE
ASSEMBLY EQUIPMENT
TECHNICAL INFORMATION