

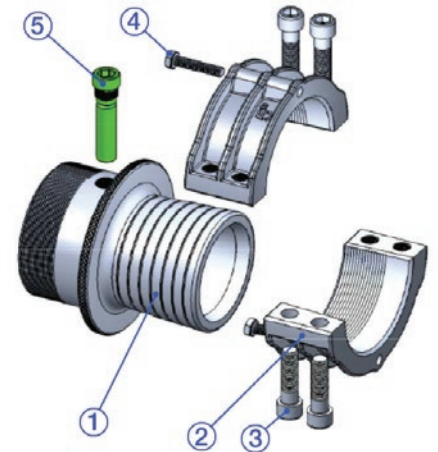
## 316 Stainless Steel Conical Couplings

- Includes coupling, clamp and screws
- Available with or without drain hole
- Field fittable and reusable
- Optional fuse and plug sold separately



### Nominal Specifications

Coupling Part Number	Drain Hole	Thread	ID		Max. Diameter		Weight (lb)
			(in)	(mm)	(in)	(mm)	
C655120	No	NPT	1 1/4	32	2.60	66	1.83
C654899	No	NPT	1 1/2	40	2.76	70	2.25
C654898	Yes						
C650089	No	NPT	2	51	3.94	100	5.29
C655005	Yes						
C650069	No	NPT	3	76	5.12	130	13.67
C650100	Yes						
C654827	No	NPT	4	102	6.50	165	21.38
C654826	Yes						
C652341	No	NPT	5	127	7.72	196	29.98
C652353	Yes						
C652362	No	NPT	6	152	8.94	227	44.31
C652349	Yes						
C655144	No	NPT	8	203	10.63	270	105.82
C655143	Yes						



#### COMPONENTS

- 1-Coupling shank
- 2-Clamp
- 3-Allen screws (x4)
- 4-Hexagonal jacking screws (x2)
- 5-Draining fuse (x1)  
*(Sold separately)*

### Additional Accessories



Coupling Diameter		Fuse Part Number (AISI 316 Stainless Steel)	Plug Part Number	Torpedo (Plumb) Part Number
(in)	(mm)			
1 1/4	32	-	-	C654340
1 1/2	40	C650000	-	C654340
2	52	C650002	-	C654350
3	76	C650003	-	C654360
4	102	C651497SS	C651498SS	C654370
5	127	C651507SS	C653051SS	C654380
6	152	C651507SS	C653051SS	C654380
8	203	C652325SS	C653051SS	C654380

Because we continually examine ways to improve our products, we reserve the right to alter specifications or discontinue products without prior notice.