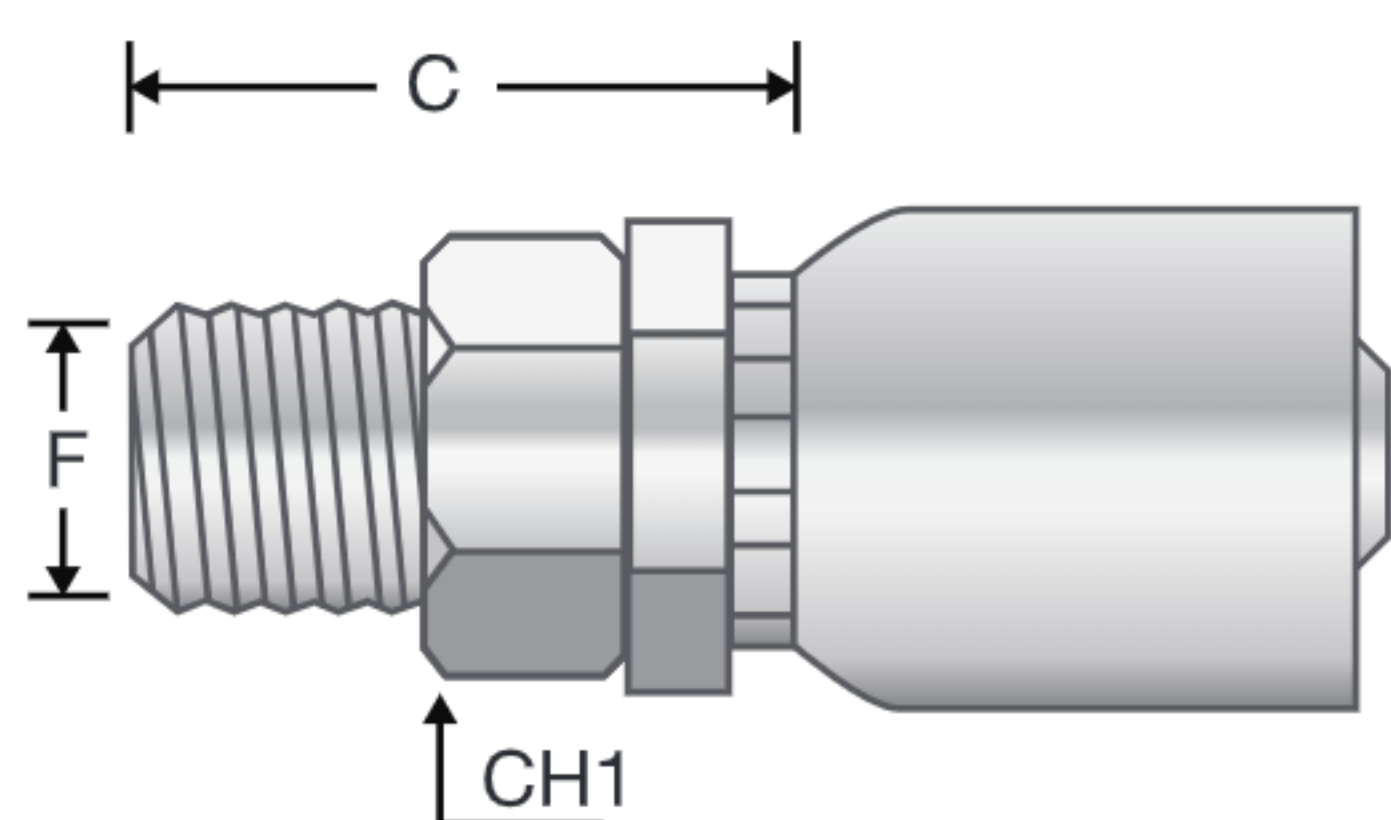


CARBON STEEL ONE-PIECE FITTINGS - P SERIES



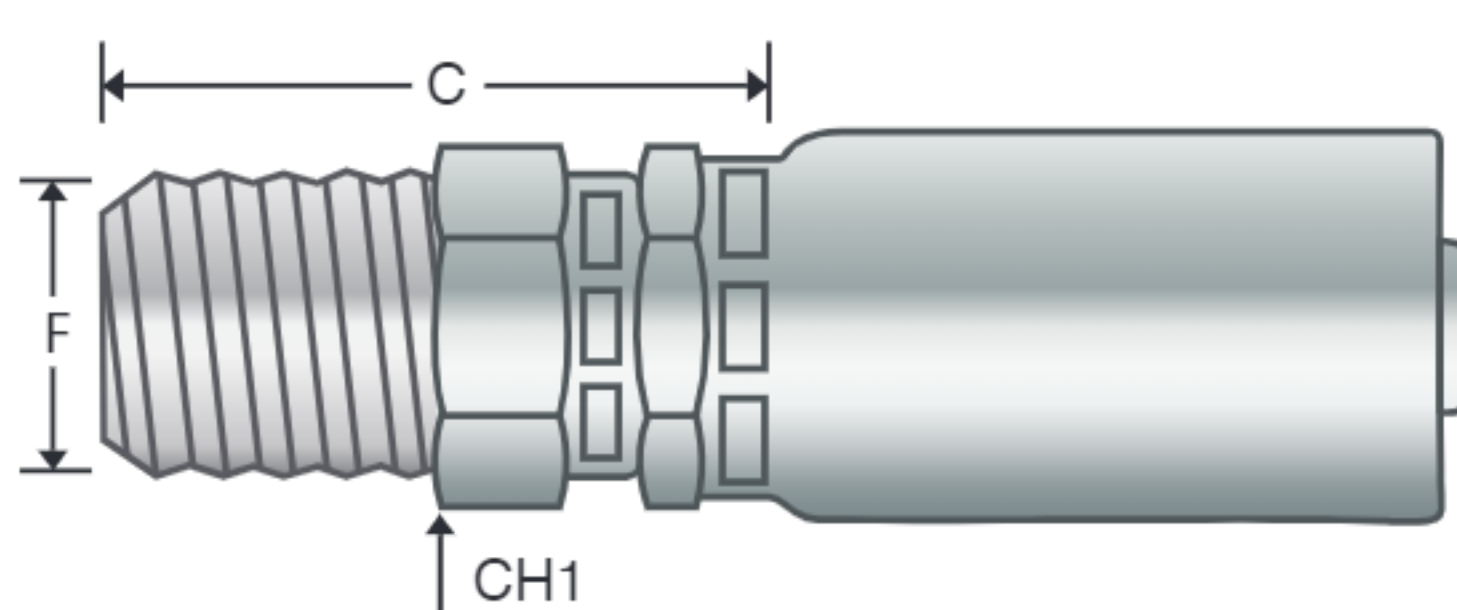
View Up To Date Info



◀ SCAN OR VISIT
[KOA.link/
P-MNPT](https://KOA.link/P-MNPT)

NPTF SOLID MALE 60° SEAT

Part Number	Dash Size	Hose ID Size		F Thread		C Cut-Off Factor (mm)	Hex Dia. CH2 (mm)	Weight (lbs/each)
		(in)	(mm)	Dash Size	Size (in) - TPI			
P-0402-MNPT	04	1/4	6.4	02	1/8-27	26.7	12	0.11
P-0404-MNPT	04	1/4	6.4	04	1/4-18	31.1	17	0.12
P-0406-MNPT	04	1/4	6.4	06	3/8-18	33.5	19	0.14
P-0504-MNPT	05	5/16	7.9	04	1/4-18	29.8	17	0.15
P-0604-MNPT	06	3/8	9.5	04	1/4-18	34.0	17	0.17
P-0606-MNPT	06	3/8	9.5	06	3/8-18	34.1	19	0.17
P-0608-MNPT	06	3/8	9.5	08	1/2-14	38.9	22	0.23
P-0806-MNPT	08	1/2	12.7	06	3/8-18	31.0	19	0.26
P-0808-MNPT	08	1/2	12.7	08	1/2-14	39.1	22	0.28



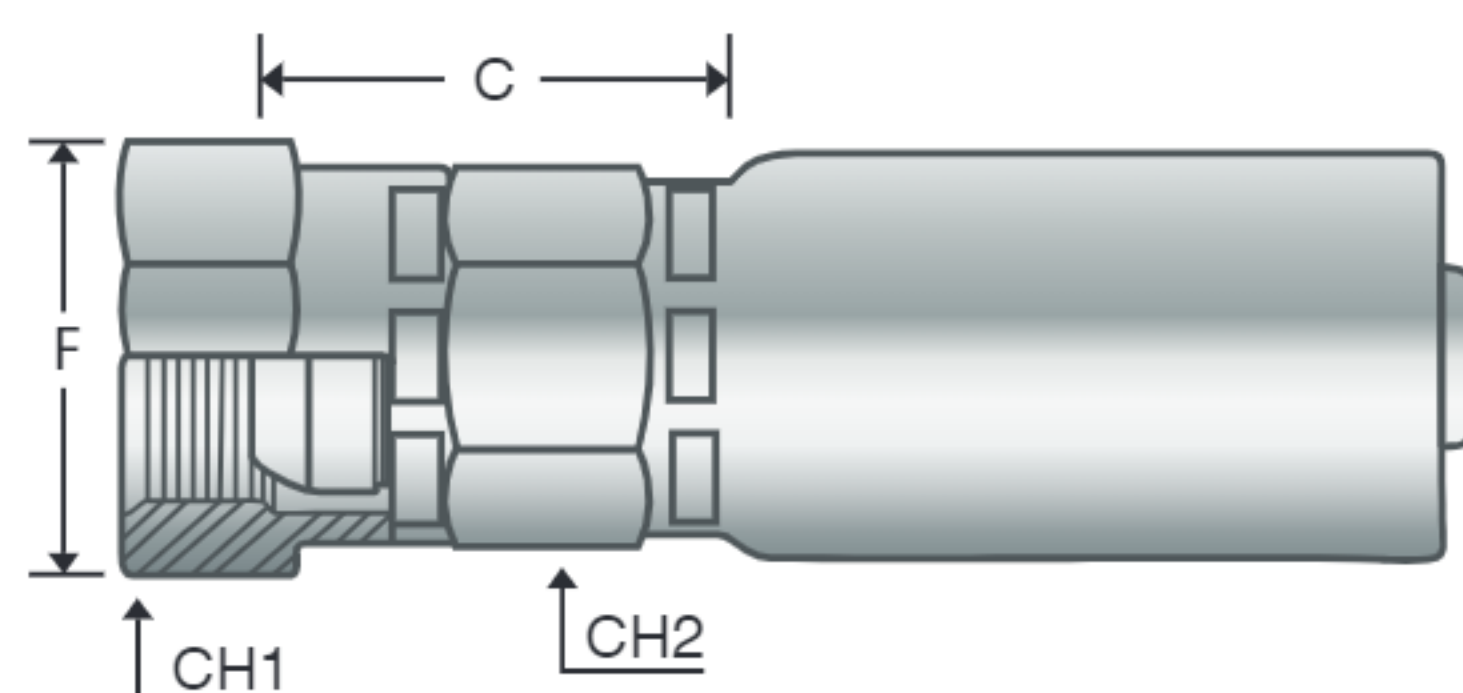
View Up To Date Info



◀ SCAN OR VISIT
[KOA.link/
P-MNPS](https://KOA.link/P-MNPS)

NPTF MALE SWIVEL 60° SEAT

Part Number	Dash Size	Hose ID Size		F Thread		C Cut-Off Factor (mm)	Hex Dia. CH1 (mm)	Weight (lbs/each)
		(in)	(mm)	Dash Size	Size (in) - TPI			
P-0404-MNPS	04	1/4	6.4	04	1/4-18	45.0	17	0.16
P-0604-MNPS	06	3/8	9.5	04	1/4-18	46.8	17	0.19
P-0606-MNPS	06	3/8	9.5	06	3/8-18	47.7	19	0.23
P-0808-MNPS	08	1/2	12.7	08	1/2-14	52.8	22	0.35



View Up To Date Info



◀ SCAN OR VISIT
[KOA.link/
P-FPMS](https://KOA.link/P-FPMS)

NPSM FEMALE SWIVEL 60° SEAT

Part Number	Dash Size	Hose ID Size		F Thread		C Cut-Off Factor (mm)	Hex Diameter		Weight (lbs/each)
		(in)	(mm)	Dash Size	Size (in) - TPI		CH1 (mm)	CH2 (mm)	
P-0404-FPMS	04	1/4	6.4	04	1/4-18	27.9	17	19	0.15
P-0606-FPMS	06	3/8	9.5	06	3/8-18	31.3	19	22	0.21
P-0808-FPMS	08	1/2	12.7	08	1/2-14	30.9	22	27	0.31

Because we continually examine ways to improve our products, we reserve the right to alter specifications or discontinue products without prior notice.