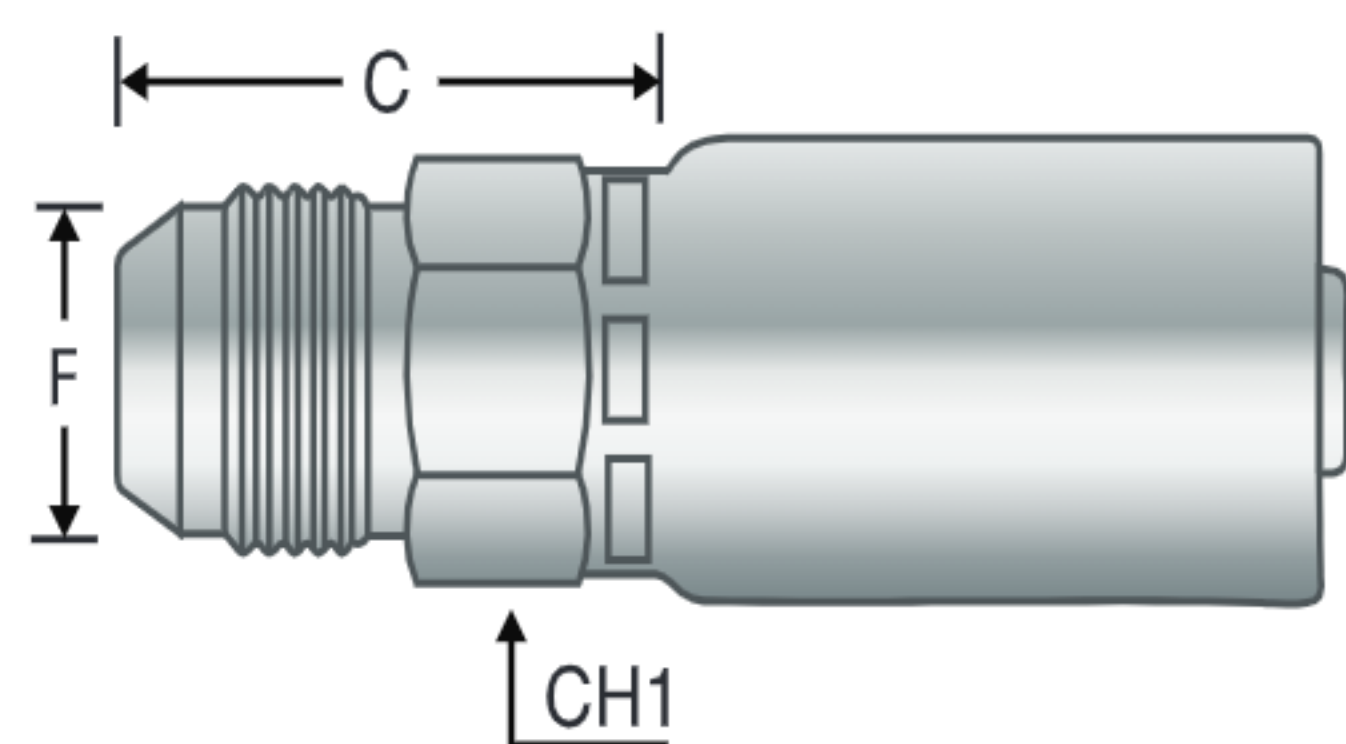


CARBON STEEL ONE-PIECE FITTINGS - P SERIES



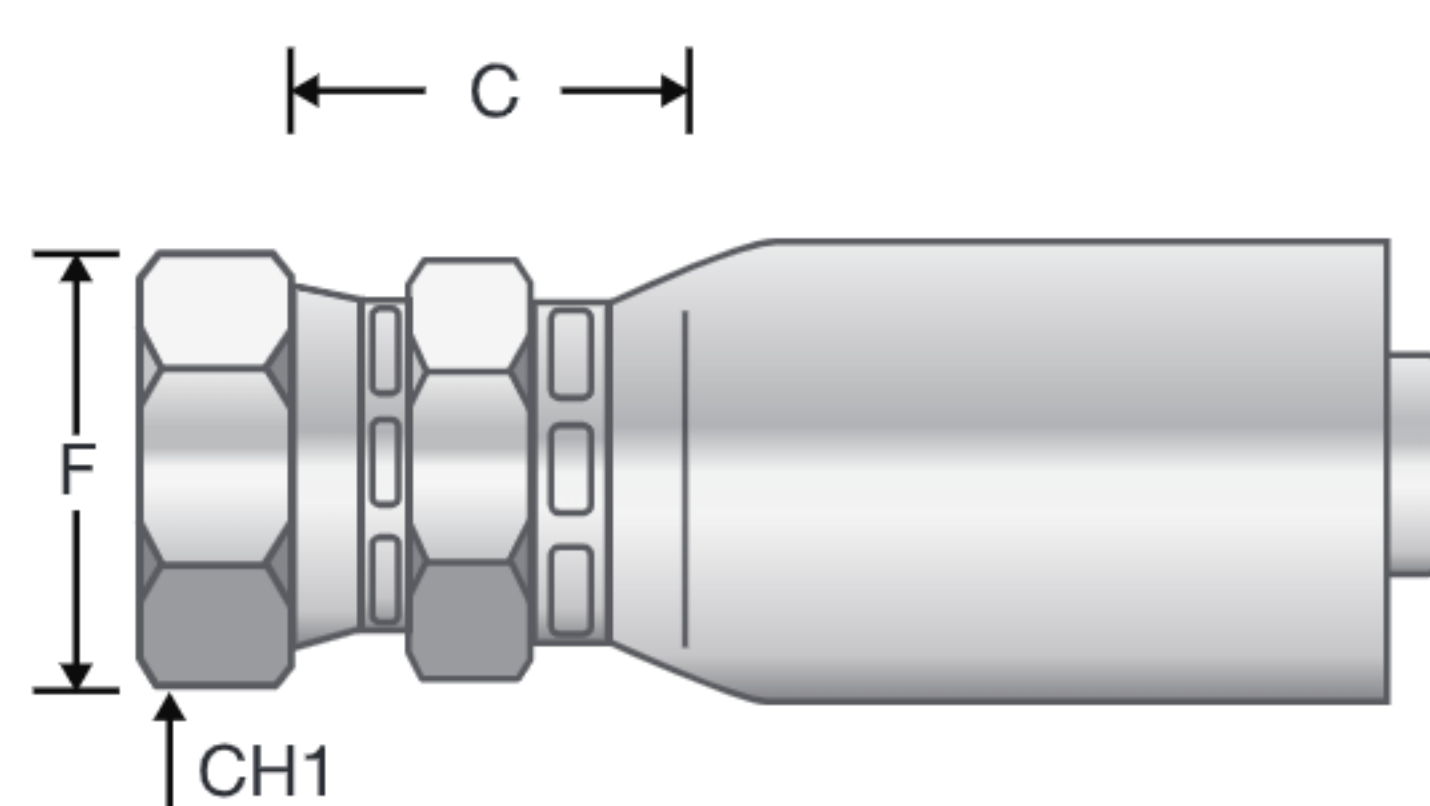
[View Up To Date Info](#)



← SCAN OR VISIT
[KOA.link/
P-MJIC](https://KOA.link/P-MJIC)

JIC SOLID MALE 37° SEAT

Part Number	Dash Size	Hose ID Size		F Thread		C Cut-Off Factor (mm)	Hex Dia. CH1 (mm)	Weight (lbs/each)
		(in)	(mm)	Dash Size	Size (in) - TPI			
P-0404-MJIC	04	1/4	6.4	04	1/4-18	30.9	17	0.11
P-0405-MJIC	04	1/4	6.4	05	1/2-20	30.9	19	0.11
P-0406-MJIC	04	1/4	6.4	06	9/16-18	33.4	17	0.13
P-0605-MJIC	06	3/8	9.5	05	1/2-20	33.6	19	0.18
P-0606-MJIC	06	3/8	9.5	06	9/16-18	33.7	22	0.16
P-0608-MJIC	06	3/8	9.5	08	3/4-16	36.6	19	0.24
P-0808-MJIC	08	1/2	12.7	08	3/4-16	35.2	22	0.27



[View Up To Date Info](#)



← SCAN OR VISIT
[KOA.link/
P-FJDH](https://KOA.link/P-FJDH)

JIC FEMALE 37° SEAT

Part Number	Dash Size	Hose ID Size		F Thread		C Cut-Off Factor (mm)	Hex Diameter		Weight (lbs/each)
		(in)	(mm)	Dash Size	Size (in) - TPI		CH1 (mm)	CH2 (mm)	
P-0404-FJDH	04	1/4	6.4	04	7/16-20	27.8	16	16	0.14
P-0405-FJDH	04	1/4	6.4	05	1/2-20	27.2	16	19	0.16
P-0406-FJDH	04	1/4	6.4	06	9/16-18	26.8	16	19	0.15
P-0605-FJDH	06	3/8	9.5	05	1/2-20	29.8	16	19	0.22
P-0606-FJDH	06	3/8	9.5	06	9/16-18	29.8	19	19	0.20
P-0608-FJDH	06	3/8	9.5	08	3/4-16	30.6	19	24	0.22
P-0808-FJDH	08	1/2	12.7	08	3/4-16	33.9	22	24	0.32

Because we continually examine ways to improve our products, we reserve the right to alter specifications or discontinue products without prior notice.