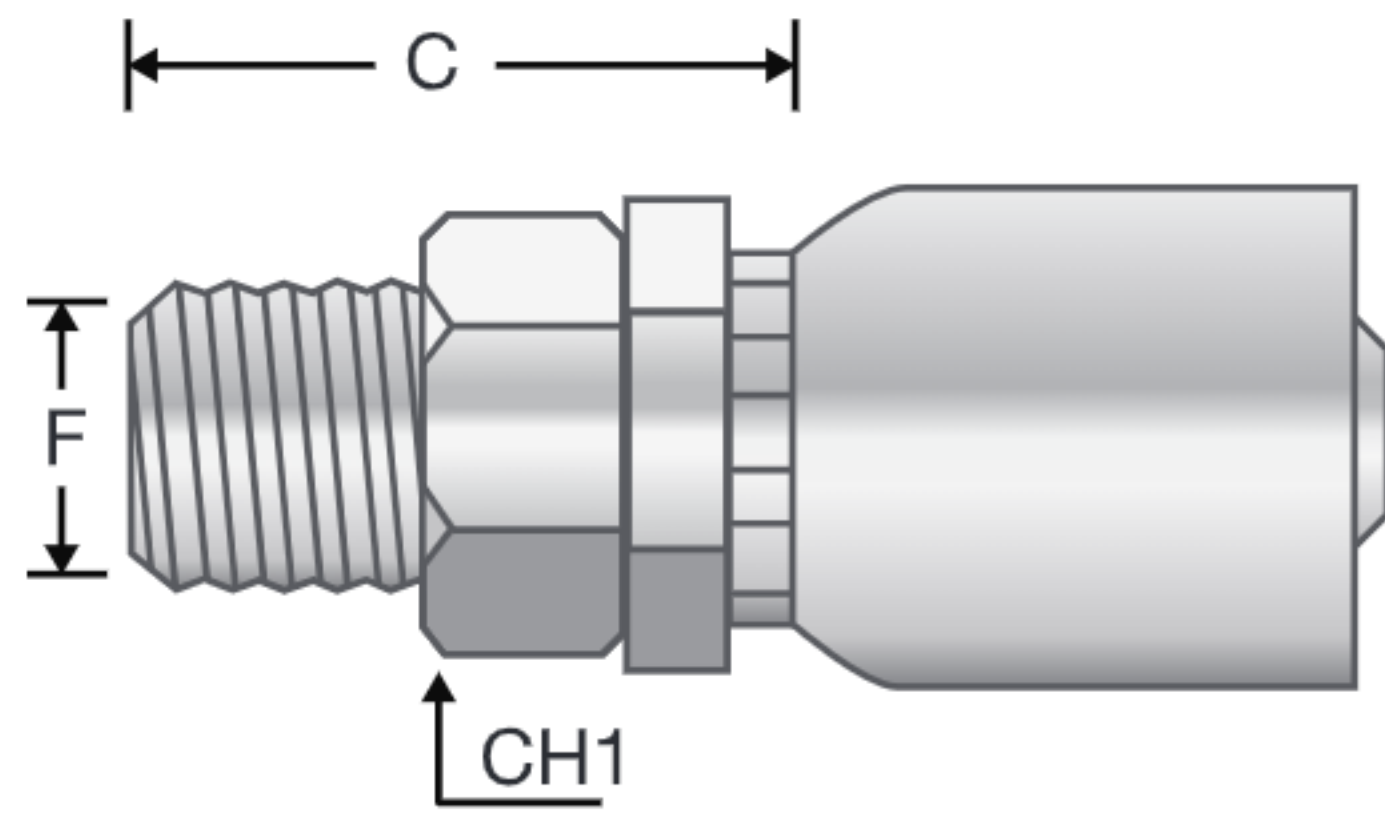


STAINLESS STEEL ONE-PIECE FITTINGS - P SERIES



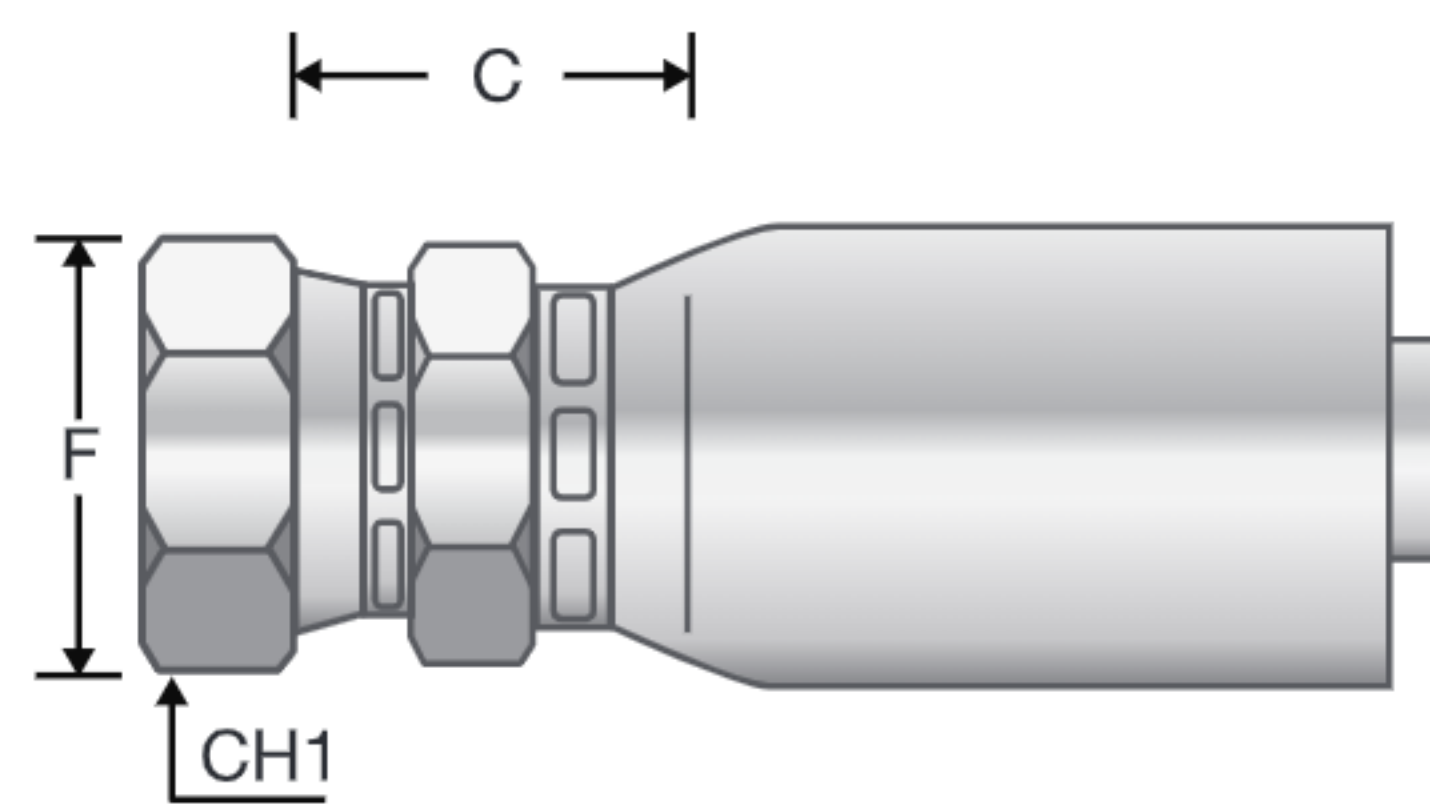
NPTF SOLID MALE 60° SEAT

Part Number	Dash Size	Hose ID Size		F Thread		C Cut-Off Factor (mm)	Hex Dia. CH1 (mm)	Weight (lbs/each)
		(in)	(mm)	Dash Size	Size (in) - TPI			
P-0304-MNPT-SS	03	3/16	4.8	04	1/4-18	28.6	19	0.107
P-0404-MNPT-SS	04	1/4	6.4	04	1/4-18	28.6	22	0.117

[View Up To Date Info](#)



◀ SCAN OR VISIT
[KOA.link/
P-MNPT-SS](https://KOA.link/P-MNPT-SS)



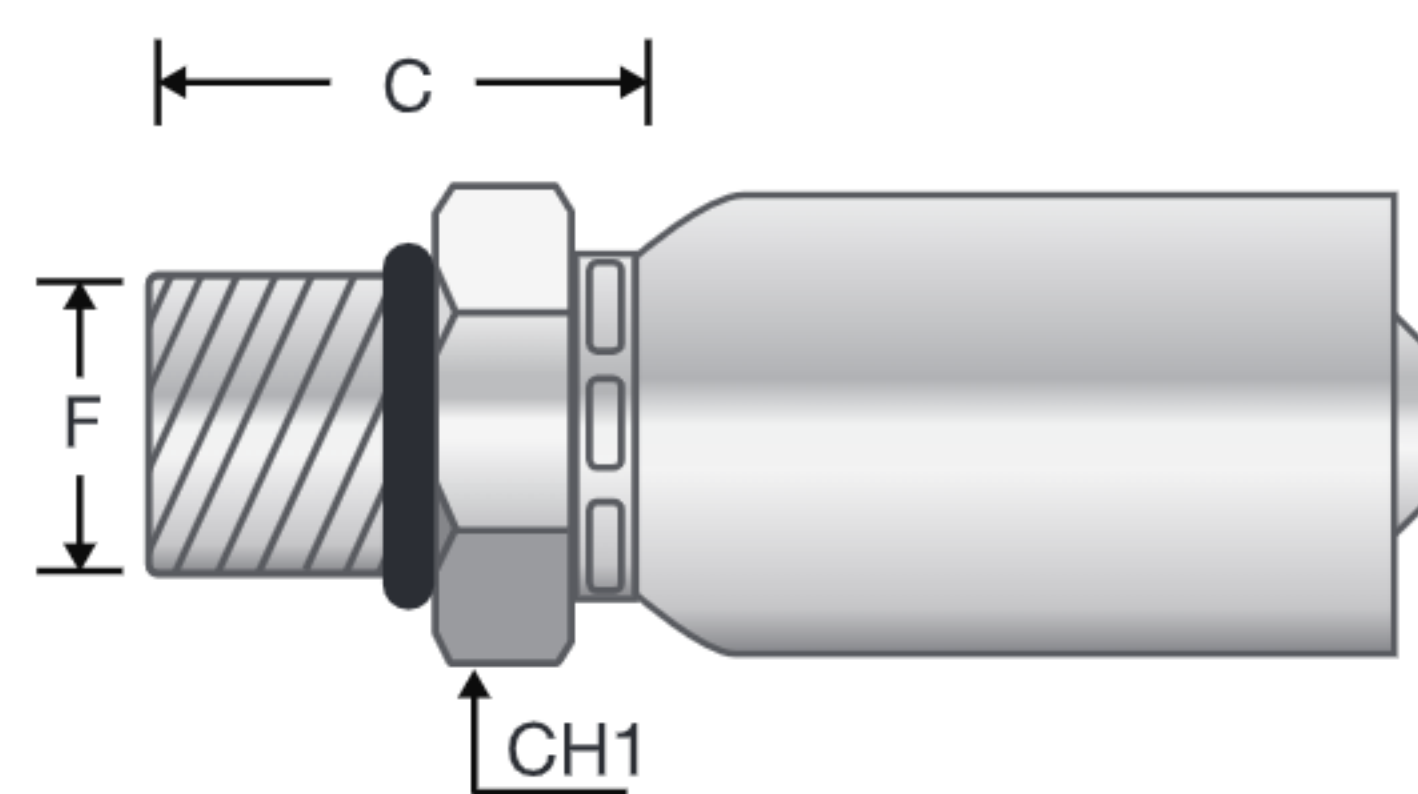
JIC FEMALE 37° SEAT

Part Number	Dash Size	Hose ID Size		F Thread		C Cut-Off Factor (mm)	Hex Dia. CH1 (mm)	Weight (lbs/each)
		(in)	(mm)	Dash Size	Size (in) - TPI			
P-0304-FJDH-SS	03	3/16	4.8	04	7/16-20	19.1	17	0.113
P-0404-FJDH-SS	04	1/4	6.4	04	7/16-20	19.1	19	0.123

[View Up To Date Info](#)



◀ SCAN OR VISIT
[KOA.link/
P-FJDH-SS](https://KOA.link/P-FJDH-SS)



SAE SOLID MALE O-RING BOSS

Part Number	Dash Size	Hose ID Size		F Thread		C Cut-Off Factor (mm)	Hex Dia. CH1 (mm)	Weight (lbs/each)
		(in)	(mm)	Dash Size	Size (in) - TPI			
P-0304-MORB-SS	03	3/16	4.8	04	7/16-20	22.2	17	0.105
P-0404-MORB-SS	04	1/4	6.4	04	7/16-20	22.2	19	0.115

[View Up To Date Info](#)



◀ SCAN OR VISIT
[KOA.link/
P-MORB-SS](https://KOA.link/P-MORB-SS)

Because we continually examine ways to improve our products, we reserve the right to alter specifications or discontinue products without prior notice.