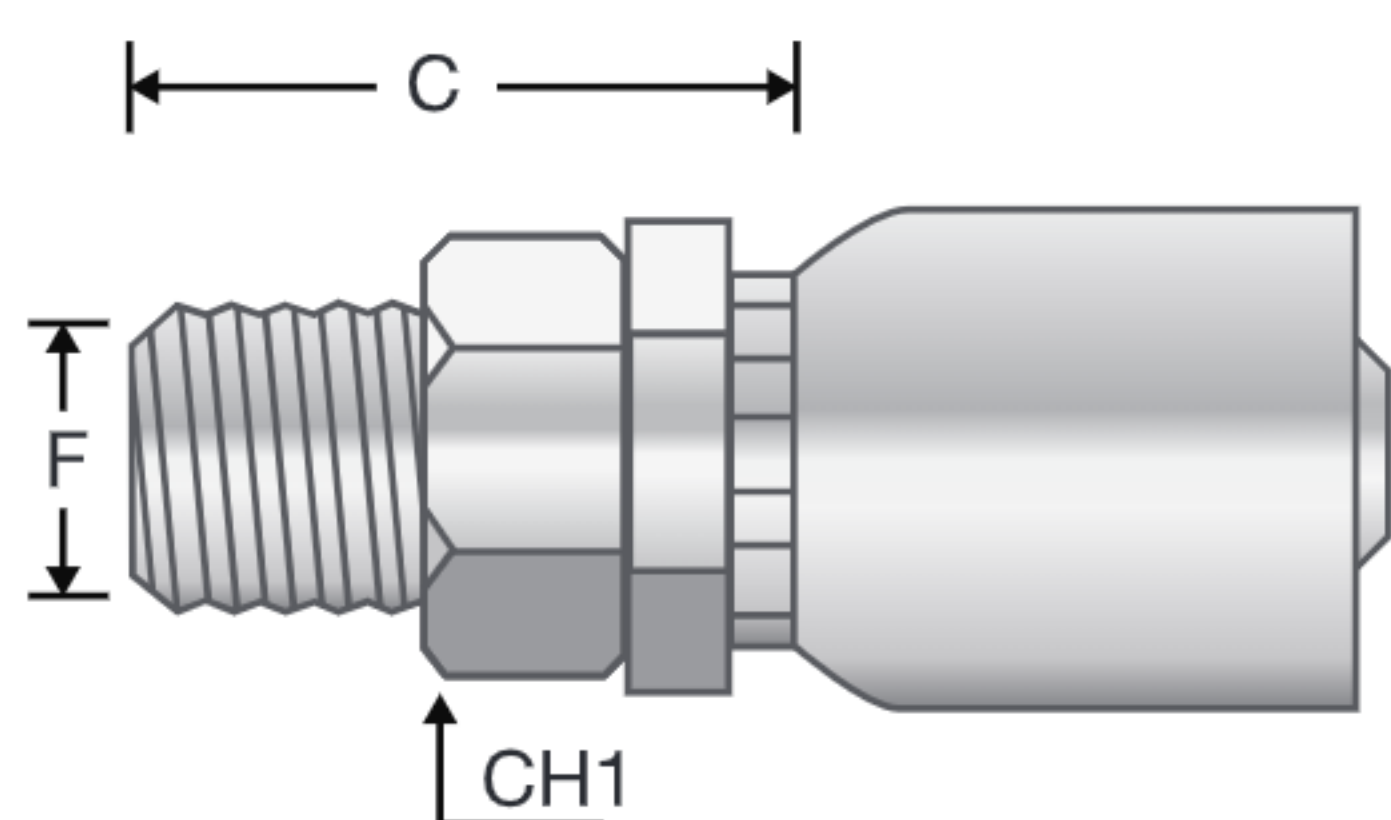


**CARBON STEEL ONE-PIECE FITTINGS - P SERIES**



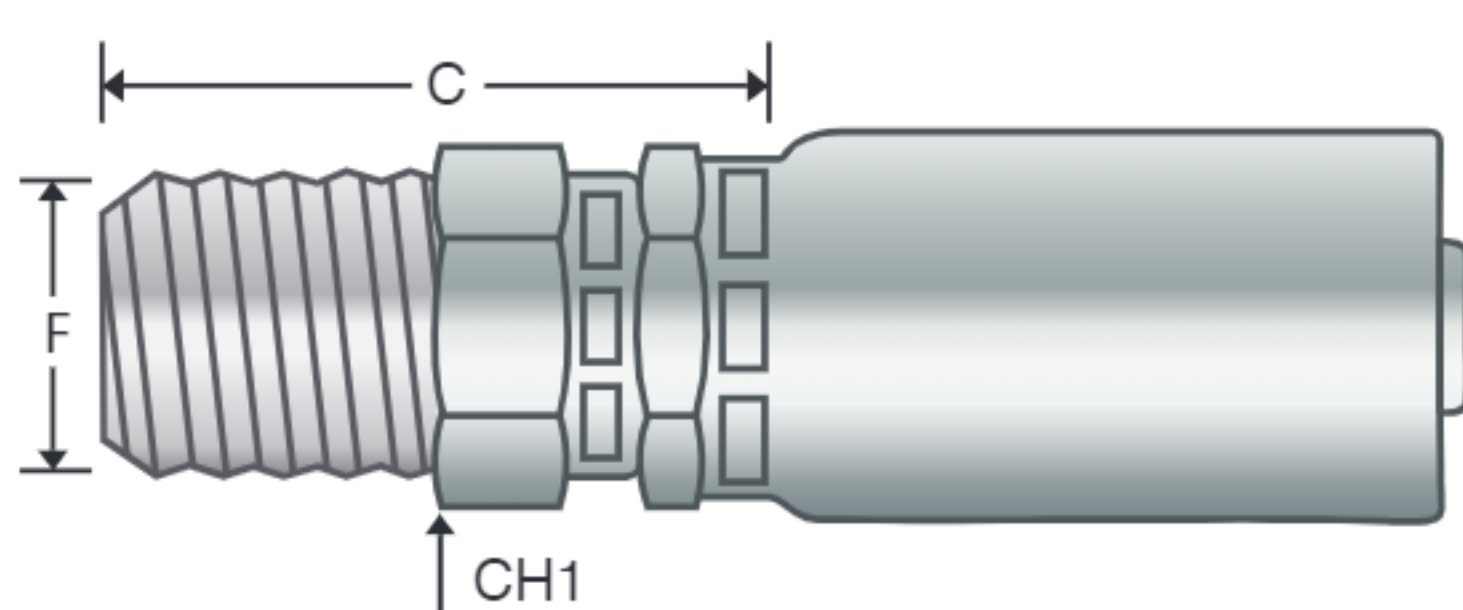
View Up To Date Info



◀ SCAN OR VISIT  
[KOA.link/  
P-MNPT](https://KOA.link/P-MNPT)

**NPTF SOLID MALE 60° SEAT**

Part Number	Dash Size	Hose ID Size		F Thread		C Cut-Off Factor (mm)	Hex Dia. CH2 (mm)	Weight (lbs/each)
		(in)	(mm)	Dash Size	Size (in) - TPI			
P-0402-MNPT	04	1/4	6.4	02	1/8-27	26.7	12	0.11
P-0404-MNPT	04	1/4	6.4	04	1/4-18	31.1	17	0.12
P-0406-MNPT	04	1/4	6.4	06	3/8-18	33.5	19	0.14
P-0504-MNPT	05	5/16	7.9	04	1/4-18	29.8	17	0.15
P-0604-MNPT	06	3/8	9.5	04	1/4-18	34.0	17	0.17
P-0606-MNPT	06	3/8	9.5	06	3/8-18	34.1	19	0.17
P-0608-MNPT	06	3/8	9.5	08	1/2-14	38.9	22	0.23
P-0806-MNPT	08	1/2	12.7	06	3/8-18	31.0	19	0.26
P-0808-MNPT	08	1/2	12.7	08	1/2-14	39.1	22	0.28



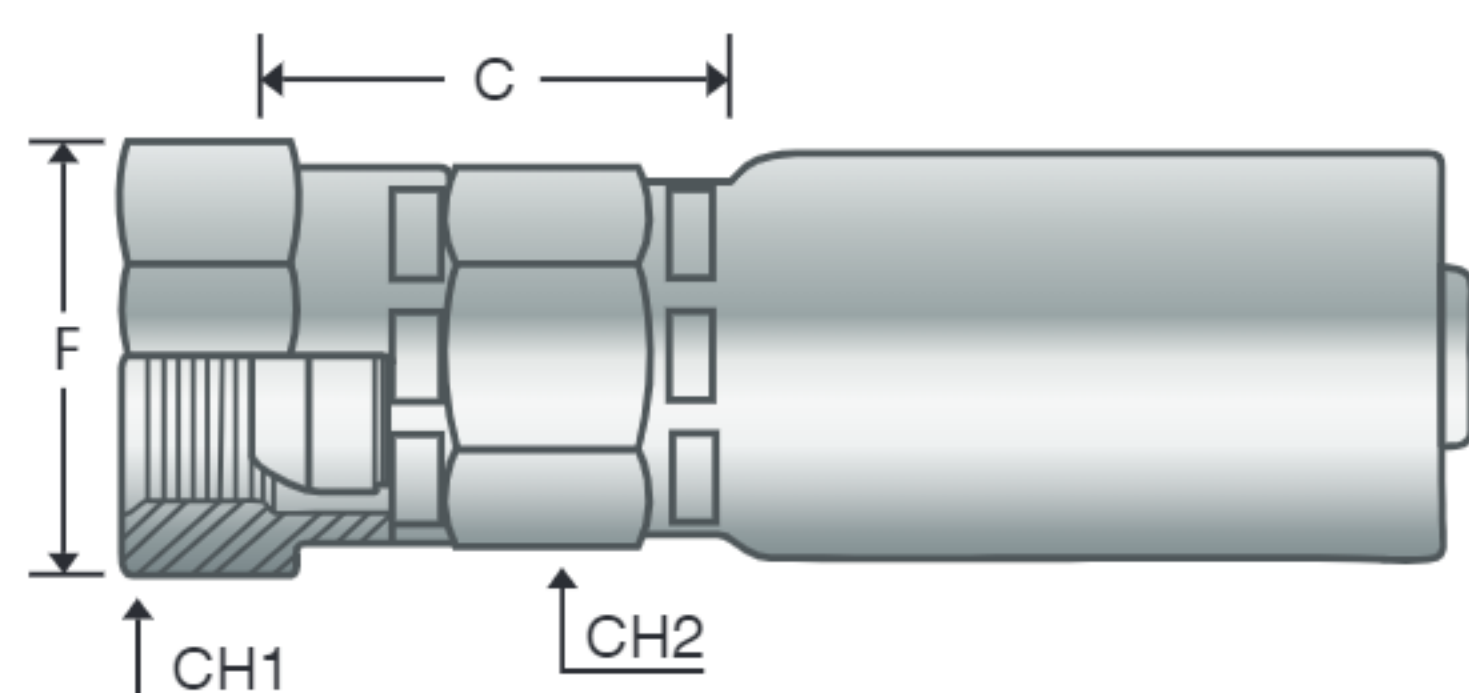
View Up To Date Info



◀ SCAN OR VISIT  
[KOA.link/  
P-MNPS](https://KOA.link/P-MNPS)

**NPTF MALE SWIVEL 60° SEAT**

Part Number	Dash Size	Hose ID Size		F Thread		C Cut-Off Factor (mm)	Hex Dia. CH1 (mm)	Weight (lbs/each)
		(in)	(mm)	Dash Size	Size (in) - TPI			
P-0404-MNPS	04	1/4	6.4	04	1/4-18	45.0	17	0.16
P-0604-MNPS	06	3/8	9.5	04	1/4-18	46.8	17	0.19
P-0606-MNPS	06	3/8	9.5	06	3/8-18	47.7	19	0.23
P-0808-MNPS	08	1/2	12.7	08	1/2-14	52.8	22	0.35



View Up To Date Info



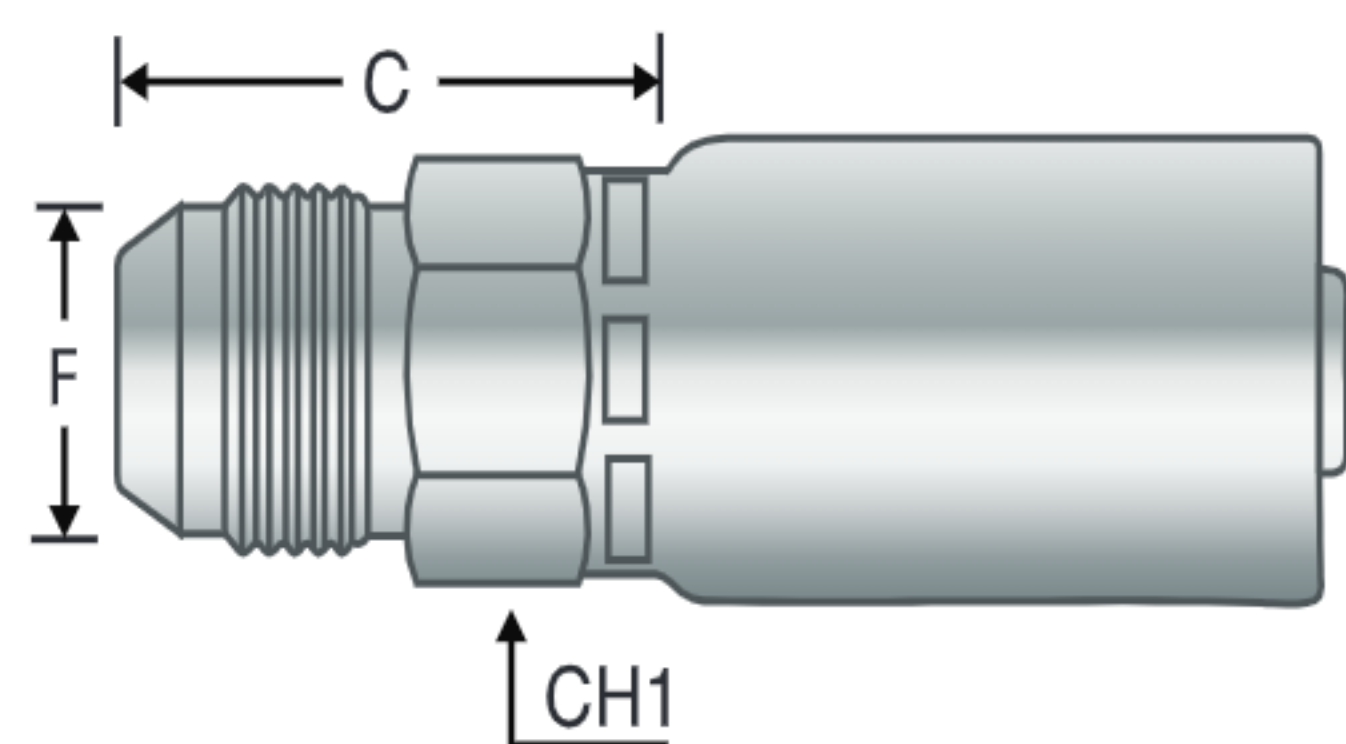
◀ SCAN OR VISIT  
[KOA.link/  
P-FPMS](https://KOA.link/P-FPMS)

**NPSM FEMALE SWIVEL 60° SEAT**

Part Number	Dash Size	Hose ID Size		F Thread		C Cut-Off Factor (mm)	Hex Diameter		Weight (lbs/each)
		(in)	(mm)	Dash Size	Size (in) - TPI		CH1 (mm)	CH2 (mm)	
P-0404-FPMS	04	1/4	6.4	04	1/4-18	27.9	17	19	0.15
P-0606-FPMS	06	3/8	9.5	06	3/8-18	31.3	19	22	0.21
P-0808-FPMS	08	1/2	12.7	08	1/2-14	30.9	22	27	0.31

Because we continually examine ways to improve our products, we reserve the right to alter specifications or discontinue products without prior notice.

## CARBON STEEL ONE-PIECE FITTINGS - P SERIES



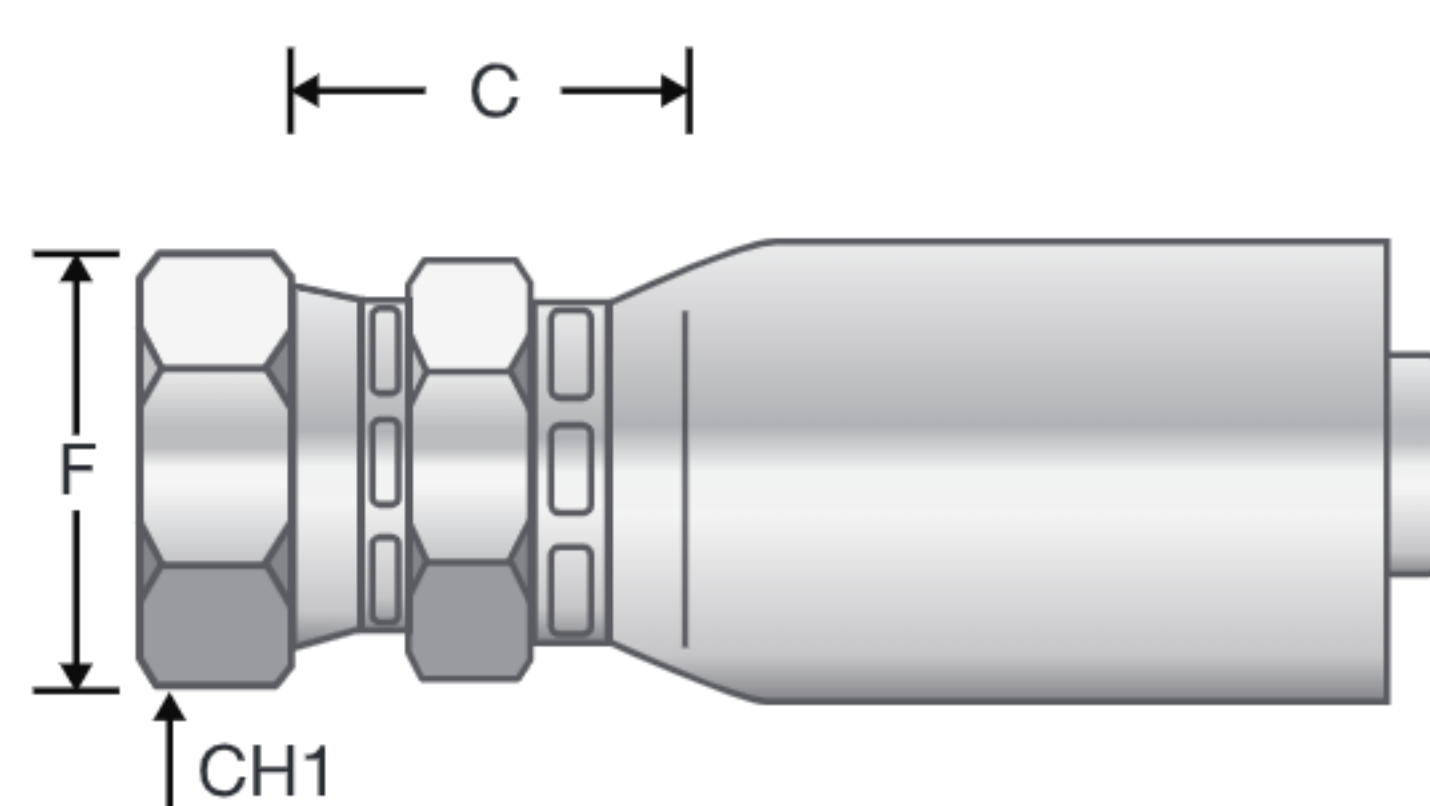
[View Up To Date Info](#)



← SCAN OR VISIT  
[KOA.link/  
P-MJIC](https://koa.link/P-MJIC)

### JIC SOLID MALE 37° SEAT

Part Number	Dash Size	Hose ID Size		F Thread		C Cut-Off Factor (mm)	Hex Dia.		Weight (lbs/each)
		(in)	(mm)	Dash Size	Size (in) - TPI		CH1 (mm)	CH2 (mm)	
P-0404-MJIC	04	1/4	6.4	04	1/4-18	30.9	17	0.11	
P-0405-MJIC	04	1/4	6.4	05	1/2-20	30.9	19	0.11	
P-0406-MJIC	04	1/4	6.4	06	9/16-18	33.4	17	0.13	
P-0605-MJIC	06	3/8	9.5	05	1/2-20	33.6	19	0.18	
P-0606-MJIC	06	3/8	9.5	06	9/16-18	33.7	22	0.16	
P-0608-MJIC	06	3/8	9.5	08	3/4-16	36.6	19	0.24	
P-0808-MJIC	08	1/2	12.7	08	3/4-16	35.2	22	0.27	



[View Up To Date Info](#)



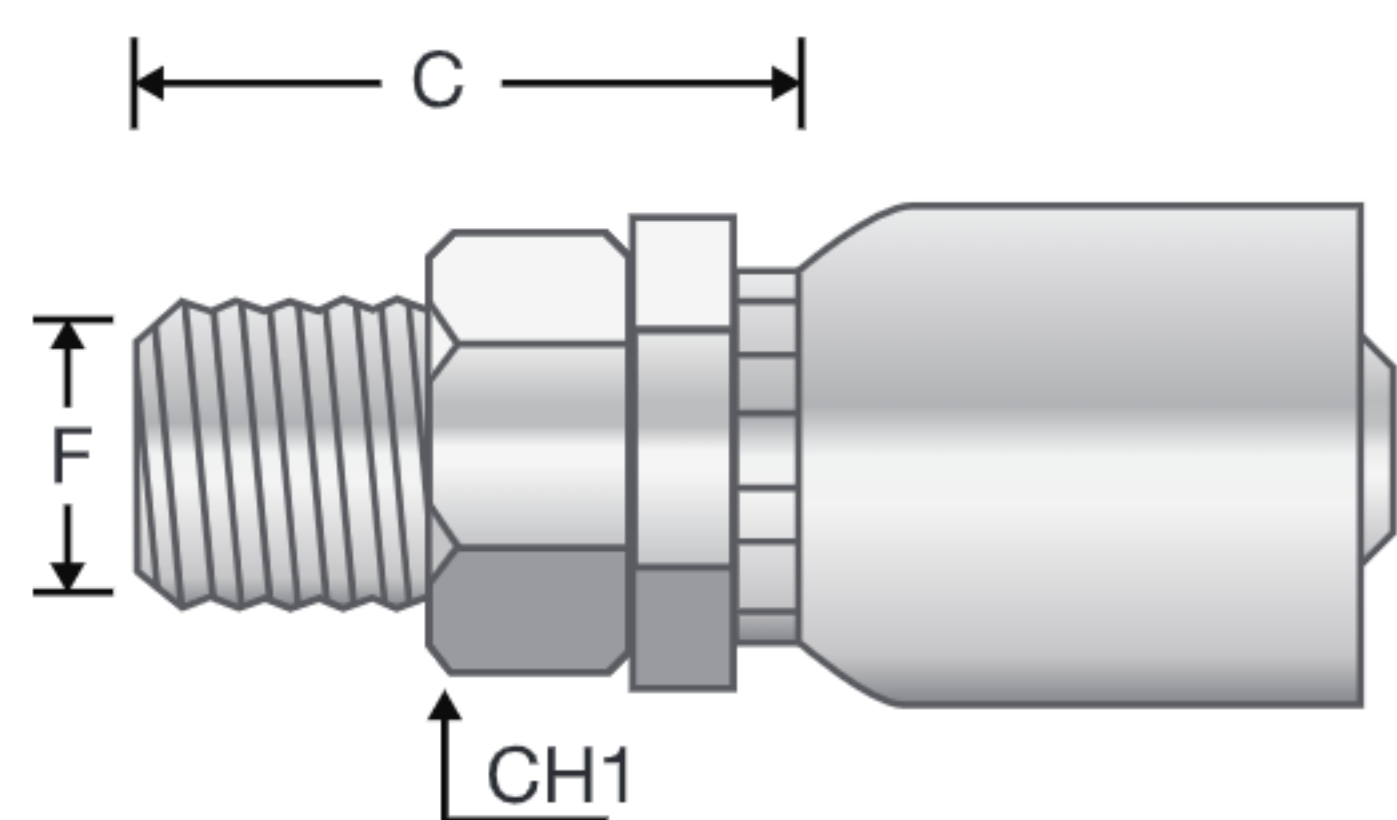
← SCAN OR VISIT  
[KOA.link/  
P-FJDH](https://koa.link/P-FJDH)

### JIC FEMALE 37° SEAT

Part Number	Dash Size	Hose ID Size		F Thread		C Cut-Off Factor (mm)	Hex Diameter		Weight (lbs/each)
		(in)	(mm)	Dash Size	Size (in) - TPI		CH1 (mm)	CH2 (mm)	
P-0404-FJDH	04	1/4	6.4	04	7/16-20	27.8	16	16	0.14
P-0405-FJDH	04	1/4	6.4	05	1/2-20	27.2	16	19	0.16
P-0406-FJDH	04	1/4	6.4	06	9/16-18	26.8	16	19	0.15
P-0605-FJDH	06	3/8	9.5	05	1/2-20	29.8	16	19	0.22
P-0606-FJDH	06	3/8	9.5	06	9/16-18	29.8	19	19	0.20
P-0608-FJDH	06	3/8	9.5	08	3/4-16	30.6	19	24	0.22
P-0808-FJDH	08	1/2	12.7	08	3/4-16	33.9	22	24	0.32

Because we continually examine ways to improve our products, we reserve the right to alter specifications or discontinue products without prior notice.

**STAINLESS STEEL ONE-PIECE FITTINGS - P SERIES**



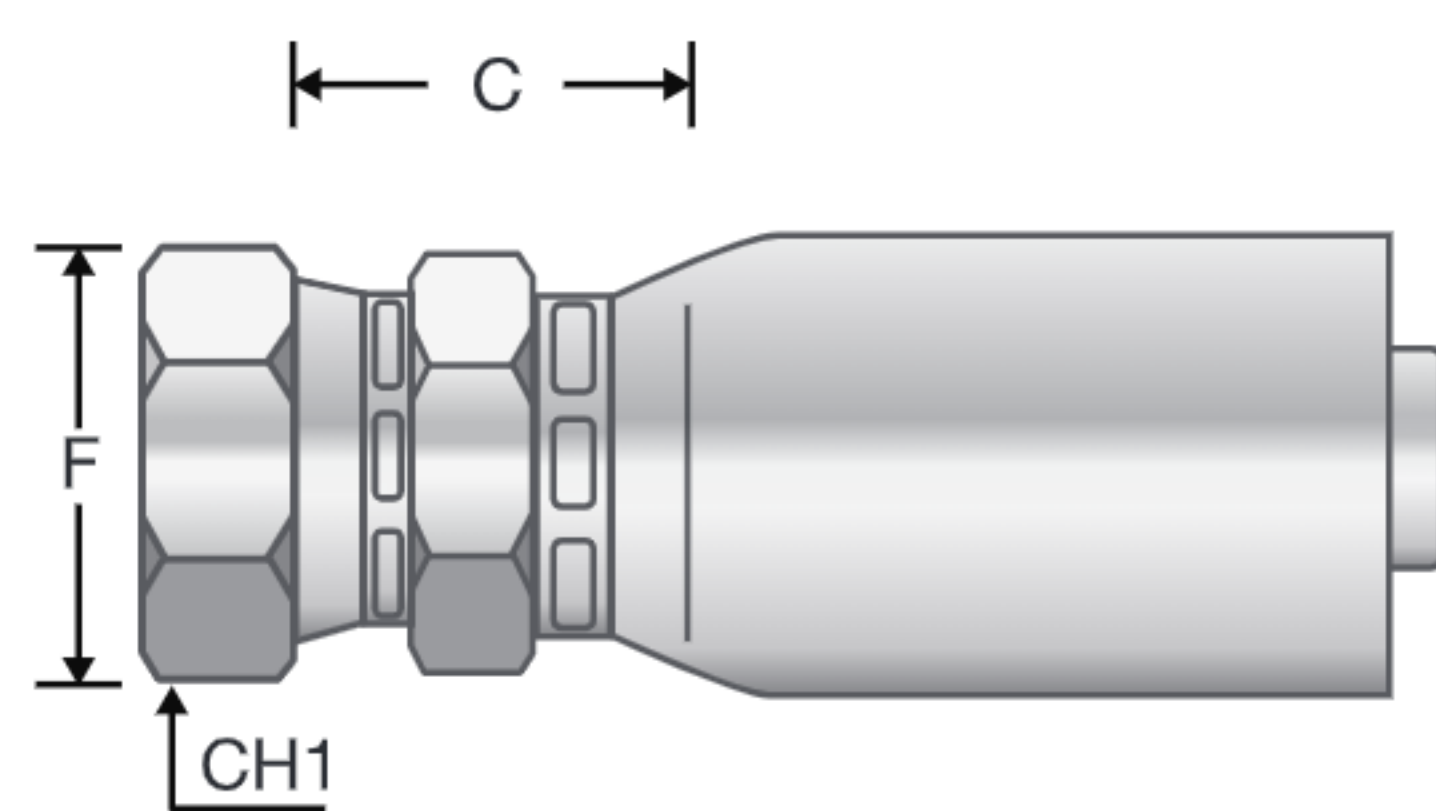
**NPTF SOLID MALE 60° SEAT**

Part Number	Dash Size	Hose ID Size		F Thread		C Cut-Off Factor (mm)	Hex Dia. CH1 (mm)	Weight (lbs/each)
		(in)	(mm)	Dash Size	Size (in) - TPI			
P-0304-MNPT-SS	03	3/16	4.8	04	1/4-18	28.6	19	0.107
P-0404-MNPT-SS	04	1/4	6.4	04	1/4-18	28.6	22	0.117

[View Up To Date Info](#)



◀ SCAN OR VISIT  
[KOA.link/  
P-MNPT-SS](https://KOA.link/P-MNPT-SS)



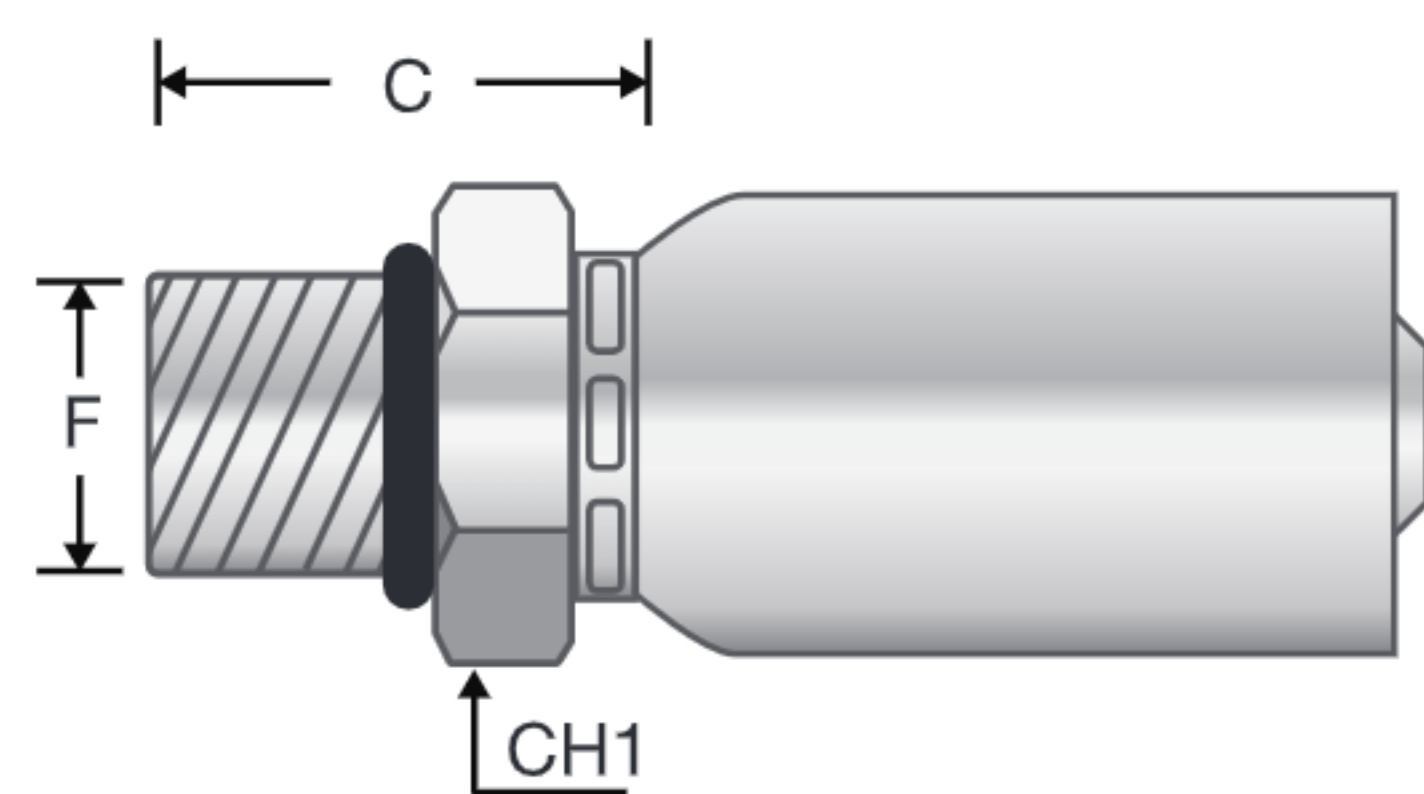
**JIC FEMALE 37° SEAT**

Part Number	Dash Size	Hose ID Size		F Thread		C Cut-Off Factor (mm)	Hex Dia. CH1 (mm)	Weight (lbs/each)
		(in)	(mm)	Dash Size	Size (in) - TPI			
P-0304-FJDH-SS	03	3/16	4.8	04	7/16-20	19.1	17	0.113
P-0404-FJDH-SS	04	1/4	6.4	04	7/16-20	19.1	19	0.123

[View Up To Date Info](#)



◀ SCAN OR VISIT  
[KOA.link/  
P-FJDH-SS](https://KOA.link/P-FJDH-SS)



**SAE SOLID MALE O-RING BOSS**

Part Number	Dash Size	Hose ID Size		F Thread		C Cut-Off Factor (mm)	Hex Dia. CH1 (mm)	Weight (lbs/each)
		(in)	(mm)	Dash Size	Size (in) - TPI			
P-0304-MORB-SS	03	3/16	4.8	04	7/16-20	22.2	17	0.105
P-0404-MORB-SS	04	1/4	6.4	04	7/16-20	22.2	19	0.115

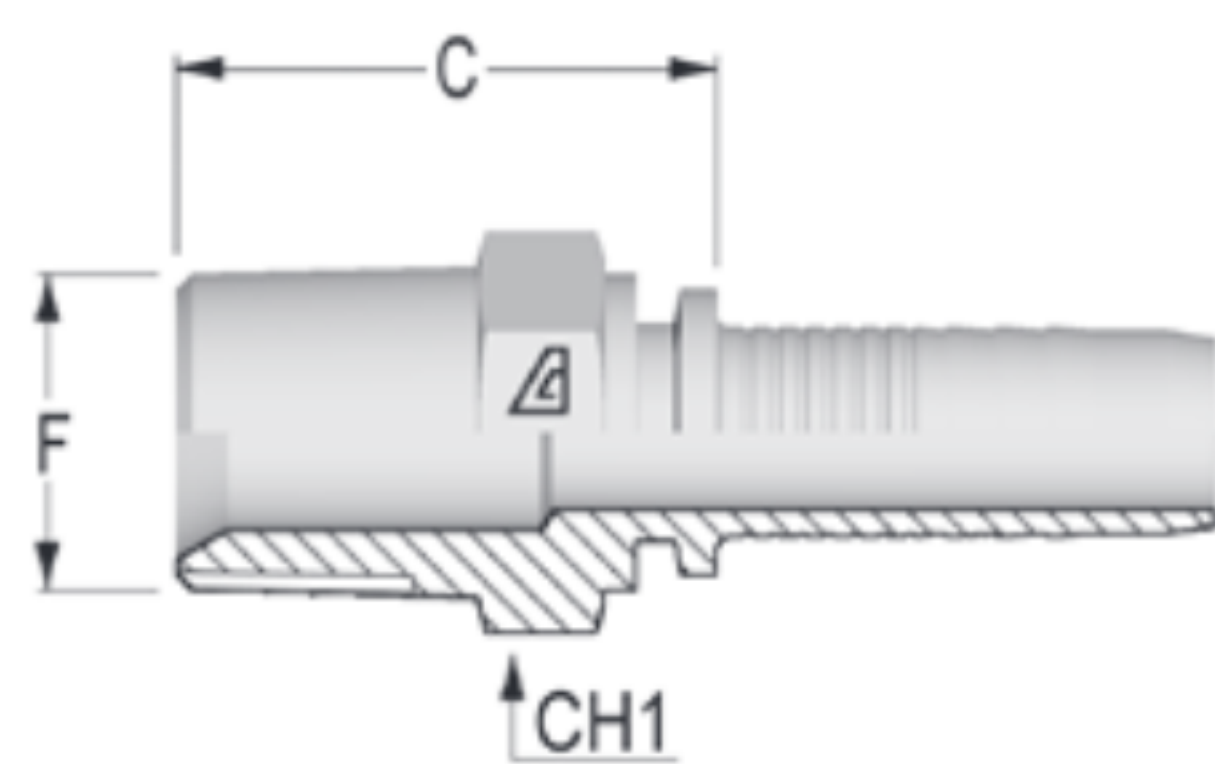
[View Up To Date Info](#)



◀ SCAN OR VISIT  
[KOA.link/  
P-MORB-SS](https://KOA.link/P-MORB-SS)

Because we continually examine ways to improve our products, we reserve the right to alter specifications or discontinue products without prior notice.

## CARBON STEEL TWO-PIECE FITTINGS INSERTS – A SERIES



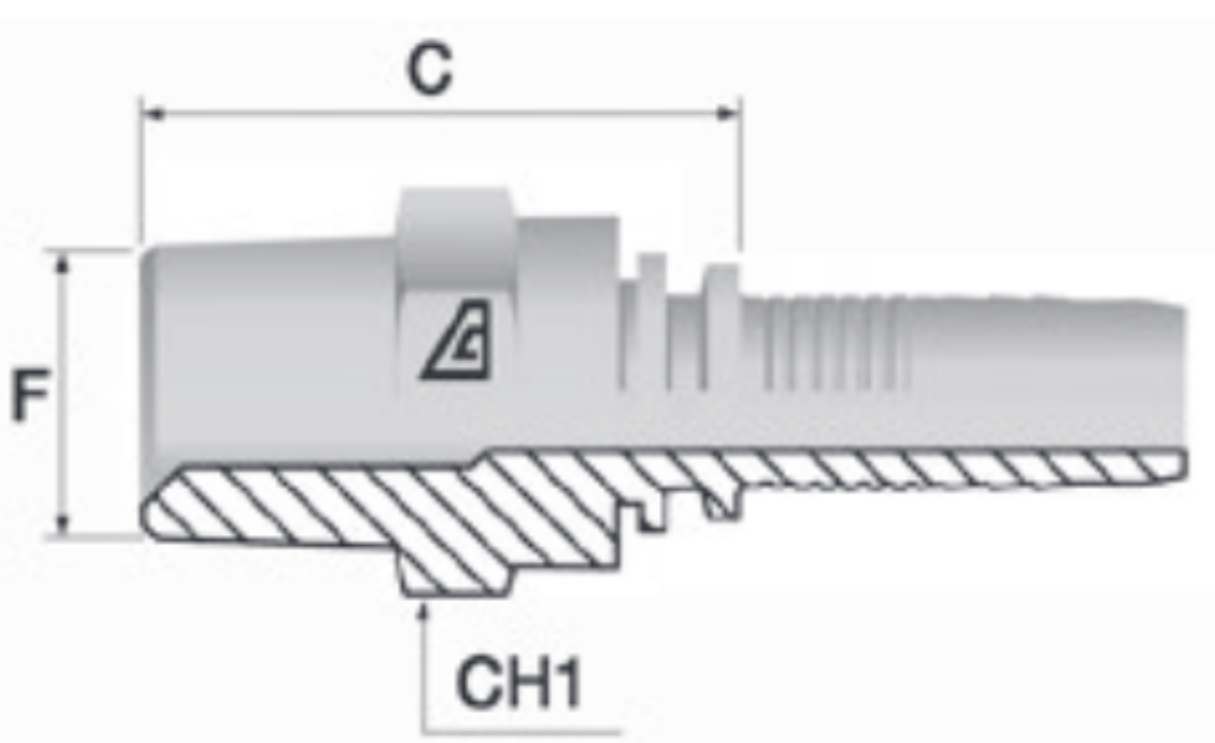
[View Up To Date Info](#)



← SCAN OR VISIT  
[KOA.link/  
A-MNPT](https://koya.link/A-MNPT)

### NPTF SOLID MALE 60° SEAT

Part Number	Dash Size	Hose ID Size		F Thread		C Cut-Off Factor (mm)	Hex Dia. CH1 (mm)	Weight (lbs/each)
		(in)	(mm)	Dash Size	Size (in) - TPI			
A-0302-MNPT	03	3/16	4.8	02	1/8-27	19.8	12	0.03
A-0402-MNPT	04	1/4	6.4	02	1/8-27	21.3	14	0.04
A-0404-MNPT	04	1/4	6.4	04	1/4-18	26.8	17	0.06
A-0406-MNPT	04	1/4	6.4	06	3/8-18	27.8	19	0.08
A-0504-MNPT	05	5/16	7.9	04	1/4-18	26.8	17	0.07
A-0506-MNPT	05	5/16	7.9	06	3/8-18	27.8	19	0.11
A-0604-MNPT	06	3/8	9.5	04	1/4-18	26.8	17	0.07
A-0606-MNPT	06	3/8	9.5	06	3/8-18	27.8	19	0.09
A-0608-MNPT	06	3/8	9.5	08	1/2-14	31.3	22	0.15
A-0806-MNPT	08	1/2	12.7	06	3/8-18	28.6	19	0.12
A-0808-MNPT	08	1/2	12.7	08	1/2-14	32.1	22	0.17
A-0812-MNPT	08	1/2	12.7	12	3/4-14	34.1	27	0.22
A-1012-MNPT	10	5/8	15.9	12	3/4-14	34.1	27	0.24
A-1212-MNPT	12	3/4	19.0	12	1-11 1/2	34.6	27	0.26



[View Up To Date Info](#)



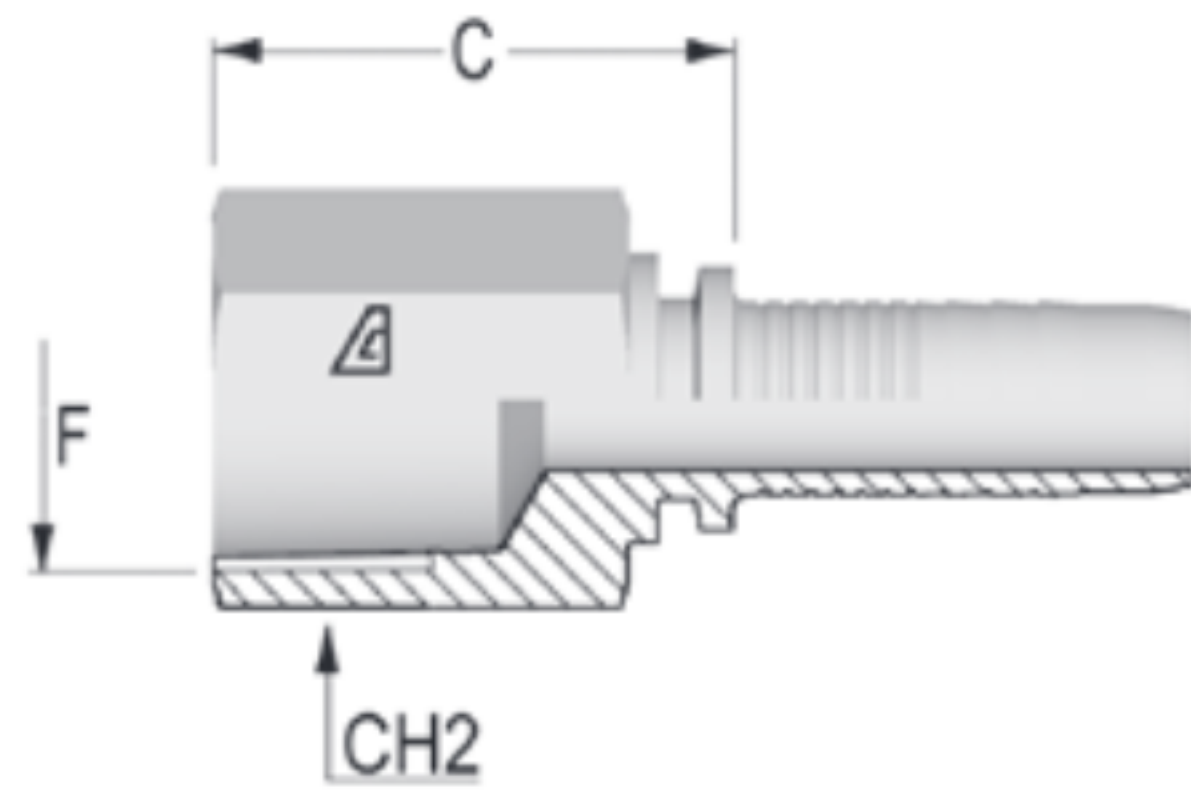
← SCAN OR VISIT  
[KOA.link/  
A-MNPS](https://koya.link/A-MNPS)

### NPTF MALE SWIVEL 60° SEAT

Part Number	Dash Size	Hose ID Size		F Thread		C Cut-Off Factor (mm)	Hex Dia. CH1 (mm)	Weight (lbs/each)
		(in)	(mm)	Dash Size	Size (in) - TPI			
A-0404-MNPS	04	1/4	6.4	04	1/4-18	37.6	17	0.09
A-0604-MNPS	06	3/8	9.5	04	1/4-18	39.6	17	0.12
A-0606-MNPS	06	3/8	9.5	06	3/8-18	37.5	22	0.15
A-0806-MNPS	08	1/2	12.7	06	3/8-18	38.3	22	0.17
A-0808-MNPS	08	1/2	12.7	08	1/2-14	42.3	25	0.25
A-1212-MNPS	12	3/4	19.0	12	3/4-14	50.1	32	0.31

Because we continually examine ways to improve our products, we reserve the right to alter specifications or discontinue products without prior notice.

**CARBON STEEL TWO-PIECE FITTINGS INSERTS – A SERIES**



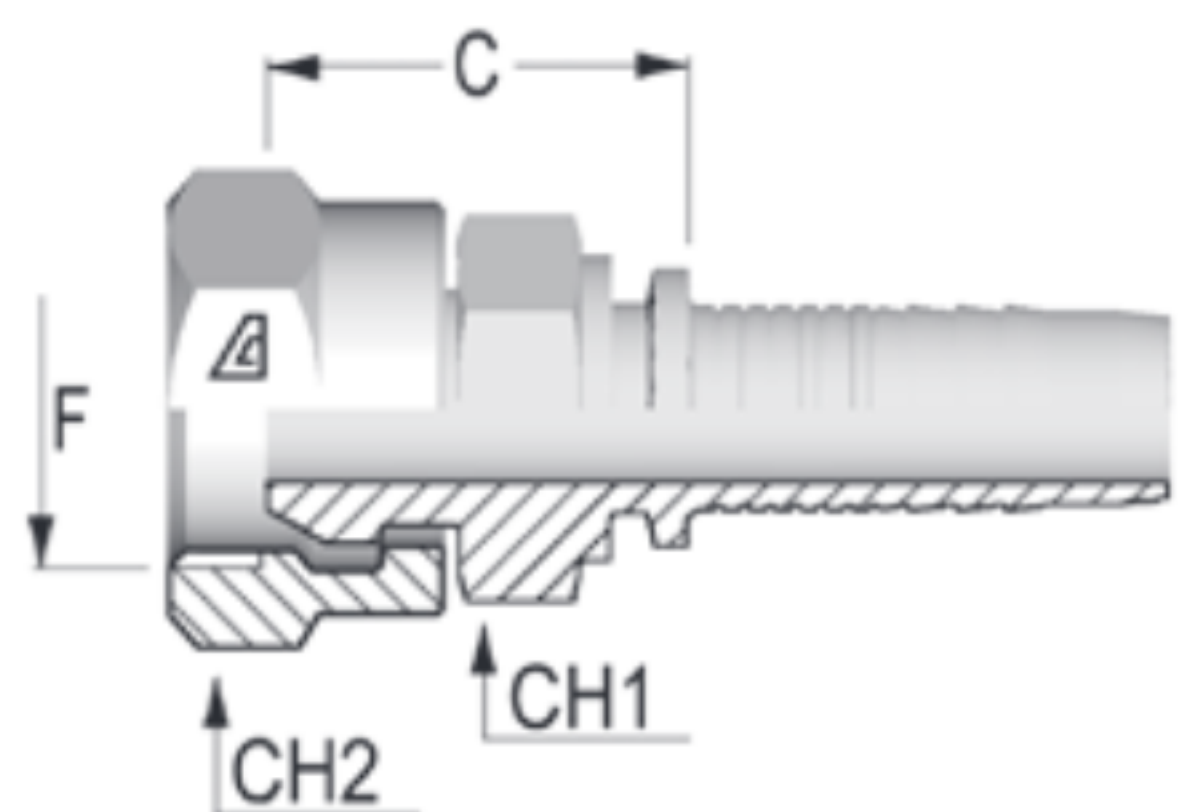
View Up To Date Info



◀ SCAN OR VISIT  
[KOA.link/A-FNPR](https://KOA.link/A-FNPR)

**NPTF SOLID FEMALE RIGID**

Part Number	Dash Size	Hose ID Size		F Thread		C Cut-Off Factor (mm)	Hex Dia. CH2 (mm)	Weight (lbs/each)
		(in)	(mm)	Dash Size	Size (in) - TPI			
A-0404-FNPR	04	1/4	6.4	04	1/4-18	27.8	19	0.10
A-0606-FNPR	06	3/8	9.5	06	3/8-18	28.8	22	0.17
A-0808-FNPR	08	1/2	12.7	08	1/2-14	35.6	25	0.20
A-1212-FNPR	12	3/4	19.0	12	3/4-14	38.1	32	0.35



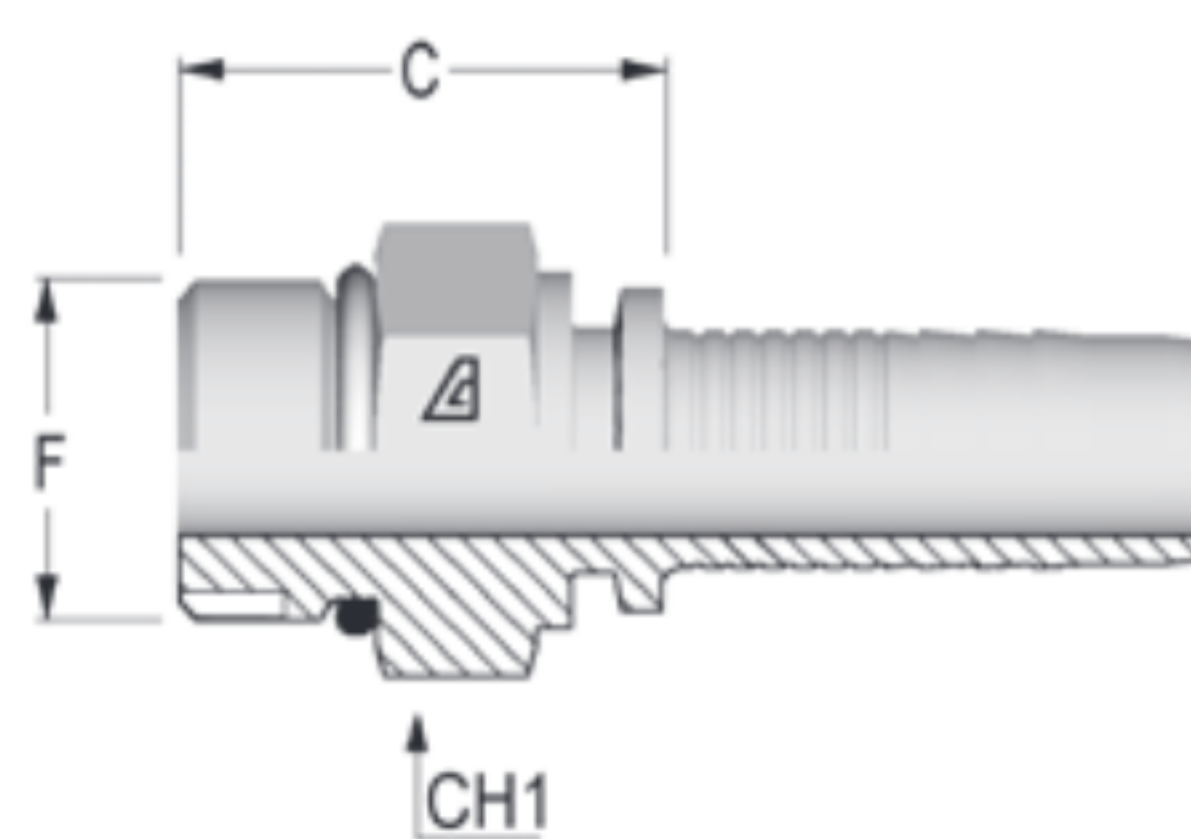
View Up To Date Info



◀ SCAN OR VISIT  
[KOA.link/P-FPMS](https://KOA.link/P-FPMS)

**NPSM FEMALE SWIVEL 60° SEAT**

Part Number	Dash Size	Hose ID Size		F Thread		C Cut-Off Factor (mm)	Hex Diameter		Weight (lbs/each)
		(in)	(mm)	Dash Size	Size (in) - TPI		CH1 (mm)	CH2 (mm)	
A-0404-FPMS	04	1/4	6.4	04	1/4-18	24.3	17	19	0.09
A-0606-FPMS	06	3/8	9.5	06	3/8-18	24.8	19	22	0.14
A-0808-FPMS	08	1/2	12.7	08	1/2-14	26.6	22	27	0.22



View Up To Date Info



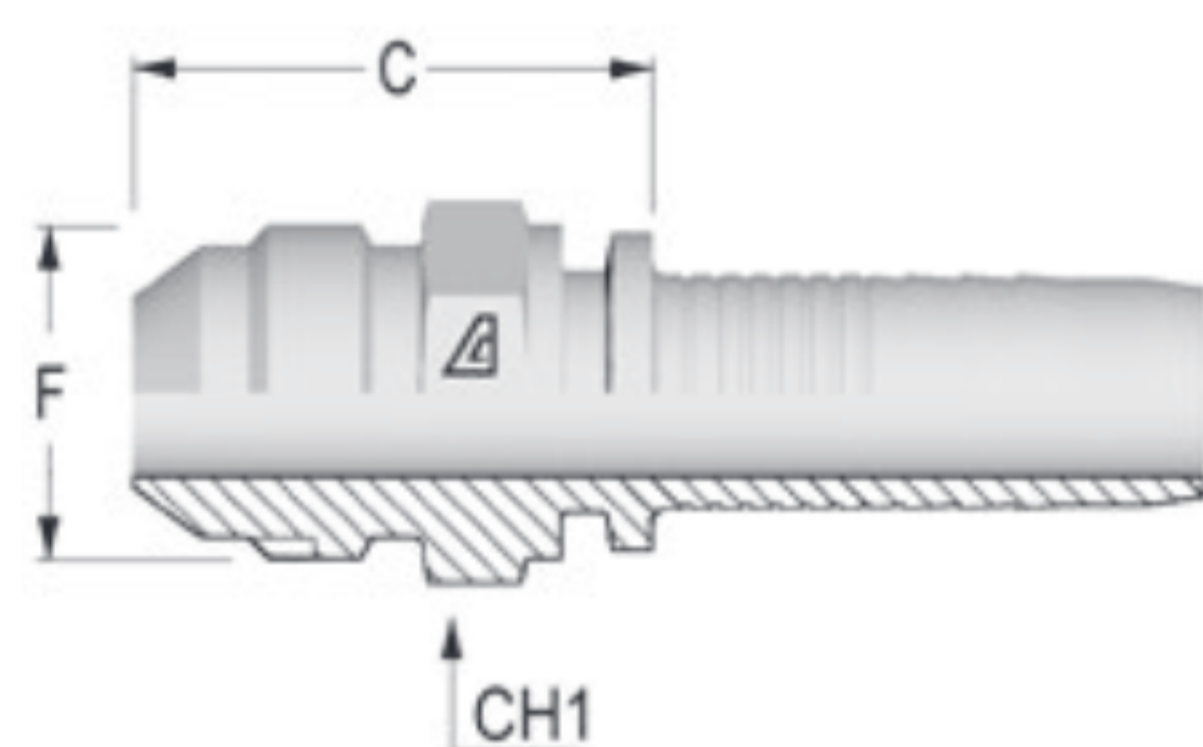
◀ SCAN OR VISIT  
[KOA.link/A-MORB](https://KOA.link/A-MORB)

**SAE SOLID MALE O-RING BOSS**

Part Number	Dash Size	Hose ID Size		F Thread		C Cut-Off Factor (mm)	Hex Dia. CH1 (mm)	Weight (lbs/each)
		(in)	(mm)	Dash Size	Size (in) - TPI			
A-0404-MORB	04	1/4	6.4	04	7/16-20	20.3	14	0.04
A-0405-MORB	04	1/4	6.4	05	1/2-20	21.3	16	0.05
A-0406-MORB	04	1/4	6.4	06	9/16-18	22.3	17	0.06
A-0606-MORB	06	3/8	9.5	06	9/16-18	23.3	19	0.08
A-0608-MORB	06	3/8	9.5	08	3/4-16	24.3	22	0.12
A-0610-MORB	06	3/8	9.5	10	7/8-14	26.8	27	0.16
A-0808-MORB	08	1/2	12.7	08	3/4-16	25.1	22	0.14
A-0810-MORB	08	1/2	12.7	10	7/8-14	27.6	27	0.19
A-0812-MORB	08	1/2	12.7	12	1 1/16-12	32.1	32	0.28
A-1210-MORB	12	3/4	19.0	10	7/8-14	28.1	27	0.24
A-1212-MORB	12	3/4	19.0	12	1 1/16-12	32.6	32	0.31
A-1216-MORB	12	3/4	19.0	16	1 5/16-12	35.7	38	0.44

Because we continually examine ways to improve our products, we reserve the right to alter specifications or discontinue products without prior notice.

## CARBON STEEL TWO-PIECE FITTINGS INSERTS – A SERIES



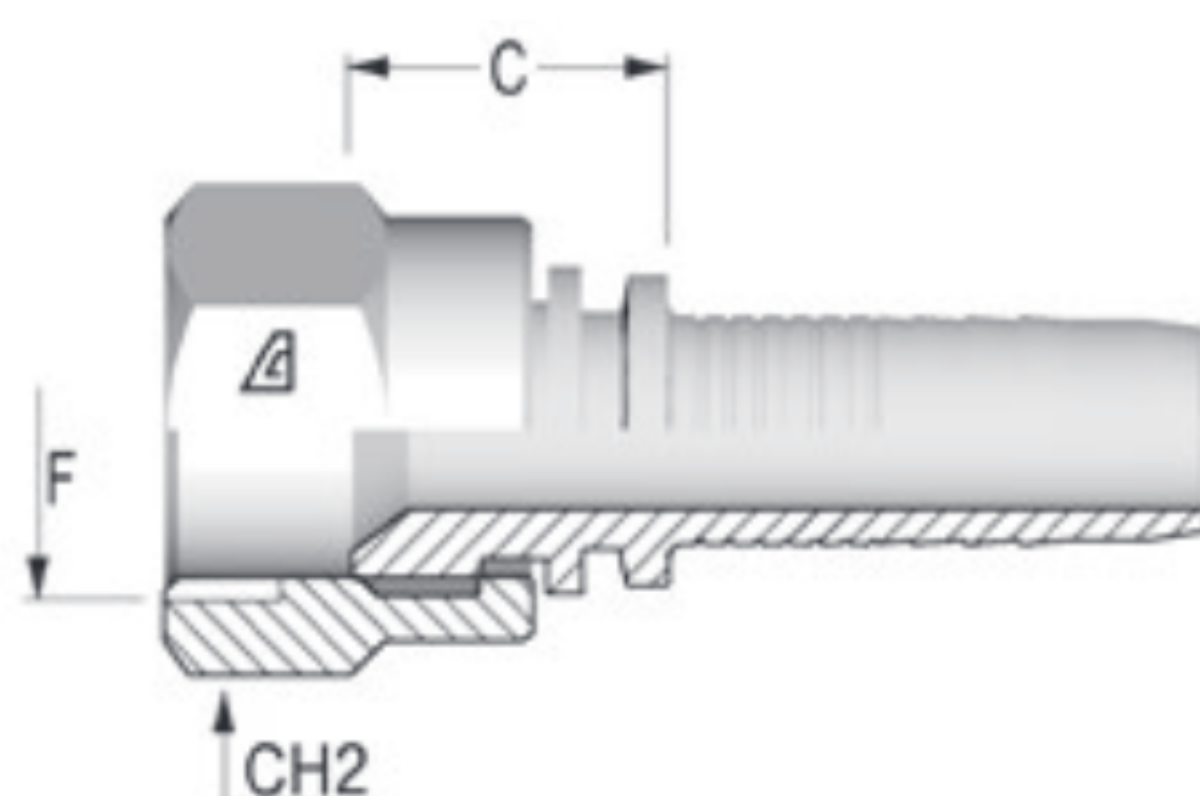
View Up To Date Info



← SCAN OR VISIT  
[KOA.link/  
A-MJIC](https://KOA.link/A-MJIC)

### JIC SOLID MALE 37° SEAT

Part Number	Dash Size	Hose ID Size		F Thread		C Cut-Off Factor (mm)	Hex Dia. CH1 (mm)	Weight (lbs/each)
		(in)	(mm)	Dash Size	Size (in) - TPI			
A-0404-MJIC	04	1/4	6.4	04	7/16-20	25.3	12	0.04
A-0405-MJIC	04	1/4	6.4	05	1/2-20	25.3	14	0.05
A-0406-MJIC	04	1/4	6.4	06	9/16-18	26.3	17	0.06
A-0505-MJIC	05	5/16	7.9	05	1/2-20	25.3	14	0.05
A-0506-MJIC	05	5/16	7.9	06	9/16-18	26.3	17	0.07
A-0606-MJIC	06	3/8	9.5	06	9/16-18	26.3	17	0.07
A-0608-MJIC	06	3/8	9.5	08	3/4-16	29.8	19	0.11
A-0808-MJIC	08	1/2	12.7	08	3/4-16	29.8	19	0.12
A-0810-MJIC	08	1/2	12.7	10	7/8-14	34.6	24	0.19
A-0812-MJIC	08	1/2	12.7	12	1 1/16-12	37.1	27	0.23
A-1212-MJIC	12	3/4	19.0	12	1 1/16-12	37.6	27	0.27
A-1214-MJIC	12	3/4	19.0	14	1 3/16-12	40.1	32	0.36
A-1216-MJIC	12	3/4	19.0	16	1 5/16-12	42.6	36	0.54



View Up To Date Info



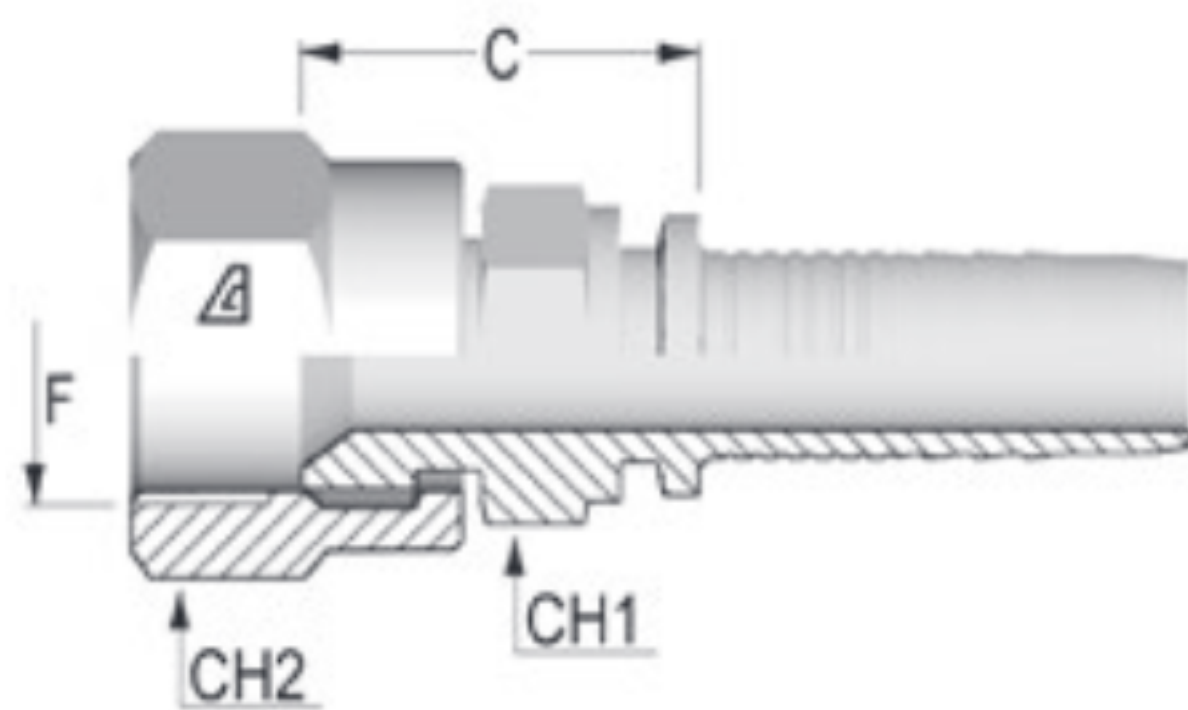
← SCAN OR VISIT  
[KOA.link/  
A-FJSH](https://KOA.link/A-FJSH)

### JIC FEMALE 37° SEAT

Part Number	Dash Size	Hose ID Size		F Thread		C Cut-Off Factor (mm)	Hex Dia. CH2 (mm)	Weight (lbs/each)
		(in)	(mm)	Dash Size	Size (in) - TPI			
A-0304-FJSH	03	3/16	4.8	04	7/16-20	14.3	16	0.04
A-0404-FJSH	04	1/4	6.4	04	7/16-20	14.6	16	0.04
A-0405-FJSH	04	1/4	6.4	05	1/2-20	15.3	17	0.06
A-0406-FJSH	04	1/4	6.4	06	9/16-18	15.3	19	0.07
A-0505-FJSH	05	5/16	7.9	05	1/2-20	15.3	17	0.07
A-0506-FJSH	05	5/16	7.9	06	9/16-18	15.3	19	0.08
A-0606-FJSH	06	3/8	9.5	06	9/16-18	15.3	19	0.08
A-0608-FJSH	06	3/8	9.5	08	3/4-16	17.8	25	0.14
A-0808-FJSH	08	1/2	12.7	08	3/4-16	18.6	25	0.16
A-0810-FJSH	08	1/2	12.7	10	7/8-14	19.6	27	0.19
A-0812-FJSH	08	1/2	12.7	12	1 1/16-12	22.1	32	0.25
A-1210-FJSH	12	3/4	19.0	10	7/8-14	20.0	27	0.28
A-1212-FJSH	12	3/4	19.0	12	1 1/16-12	20.0	32	0.28
A-1214-FJSH	12	3/4	19.0	14	1 3/16-12	20.0	36	0.33
A-1216-FJSH	12	3/4	19.0	16	1 5/16-12	22.1	38	0.38

Because we continually examine ways to improve our products, we reserve the right to alter specifications or discontinue products without prior notice.

**CARBON STEEL TWO-PIECE FITTINGS INSERTS – A SERIES**



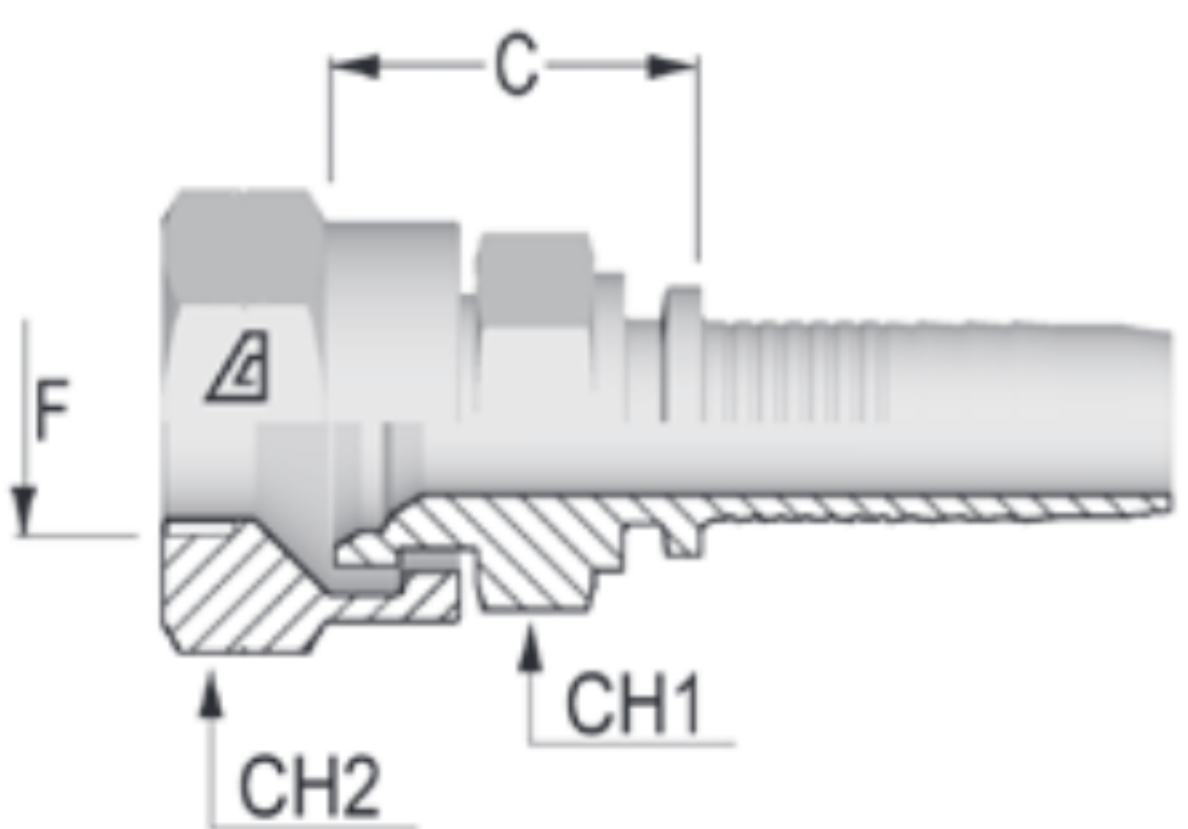
View Up To Date Info



◀ SCAN OR VISIT  
[KOA.link/  
A-FJDH](https://KOA.link/A-FJDH)

**JIC FEMALE 37° SEAT – DOUBLE HEX**

Part Number	Dash Size	Hose ID Size		F Thread		C Cut-Off Factor (mm)	Hex Diameter		Weight (lbs/each)
		(in)	(mm)	Dash Size	Size (in) - TPI		CH1 (mm)	CH2 (mm)	
A-0404-FJDH	04	1/4	6.4	04	7/16-20	19.6	14	16	0.06
A-0405-FJDH	04	1/4	6.4	05	1/2-20	20.3	14	17	0.07
A-0406-FJDH	04	1/4	6.4	06	9/16-18	20.3	14	19	0.09
A-0506-FJDH	05	5/16	7.9	06	9/16-18	20.3	14	19	0.08
A-0606-FJDH	06	3/8	9.5	06	9/16-18	21.3	17	19	0.10
A-0608-FJDH	06	3/8	9.5	08	3/4-16	24.8	19	25	0.17
A-0610-FJDH	06	3/8	9.5	10	7/8-14	25.8	22	22	0.20
A-0806-FJDH	08	1/2	12.7	06	9/16-18	23.1	19	19	0.15
A-0808-FJDH	08	1/2	12.7	08	3/4-16	25.6	19	25	0.20
A-0810-FJDH	08	1/2	12.7	10	7/8-14	26.6	22	27	0.22
A-0812-FJDH	08	1/2	12.7	12	1 1/16-12	28.1	25	32	0.30
A-1210-FJDH	12	3/4	19.0	10	7/8-14	28.1	27	32	0.31
A-1212-FJDH	12	3/4	19.0	12	1 1/16-12	28.6	27	32	0.35
A-1214-FJDH	12	3/4	19.0	14	1 3/16-12	29.9	32	36	0.44
A-1216-FJDH	12	3/4	19.0	16	1 5/16-12	32.1	32	38	0.49



View Up To Date Info



◀ SCAN OR VISIT  
[KOA.link/  
A-FJIS](https://KOA.link/A-FJIS)

**JIS FEMALE SWIVEL 30° SEAT – B 8363 TYPE F**

Part Number	Dash Size	Hose ID Size		F Thread		C Cut-Off Factor (mm)	Hex Diameter		Weight (lbs/each)
		(in)	(mm)	Dash Size	Size (in) - TPI		CH1 (mm)	CH2 (mm)	
A-0404-FJIS	04	1/4	6.4	04	1/4-19	20.8	17	19	0.09
A-0606-FJIS	06	3/8	9.5	06	3/8-19	21.8	19	22	0.13
A-0808-FJIS	08	1/2	12.7	08	1/2-14	23.6	22	27	0.20
A-1212-FJIS	12	3/4	19.0	12	3/4-14	27.1	30	36	0.41

Because we continually examine ways to improve our products, we reserve the right to alter specifications or discontinue products without prior notice.

## CARBON STEEL TWO-PIECE FITTINGS FERRULES – FOR USE WITH A SERIES FITTINGS

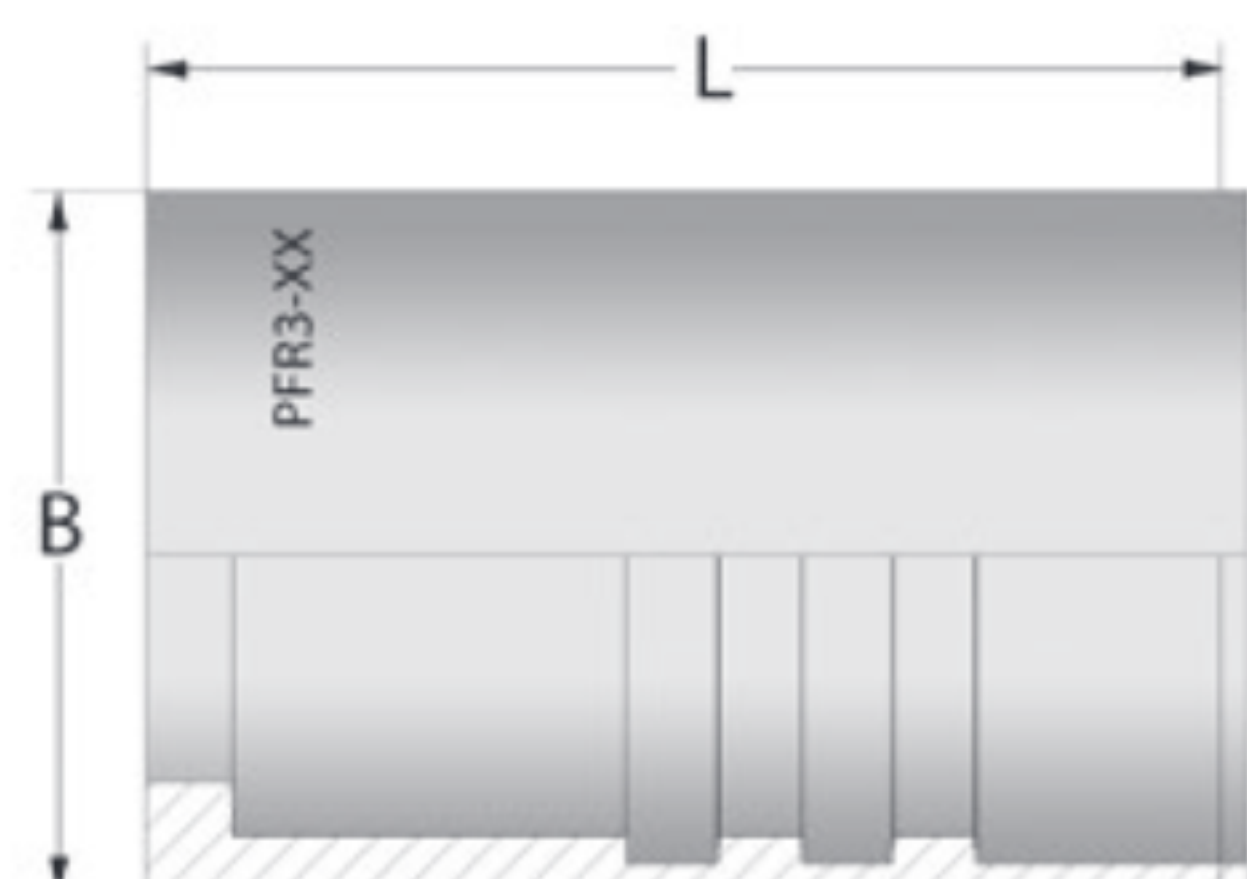
### Piranhaflex™ Ferrules

View Up To Date Info

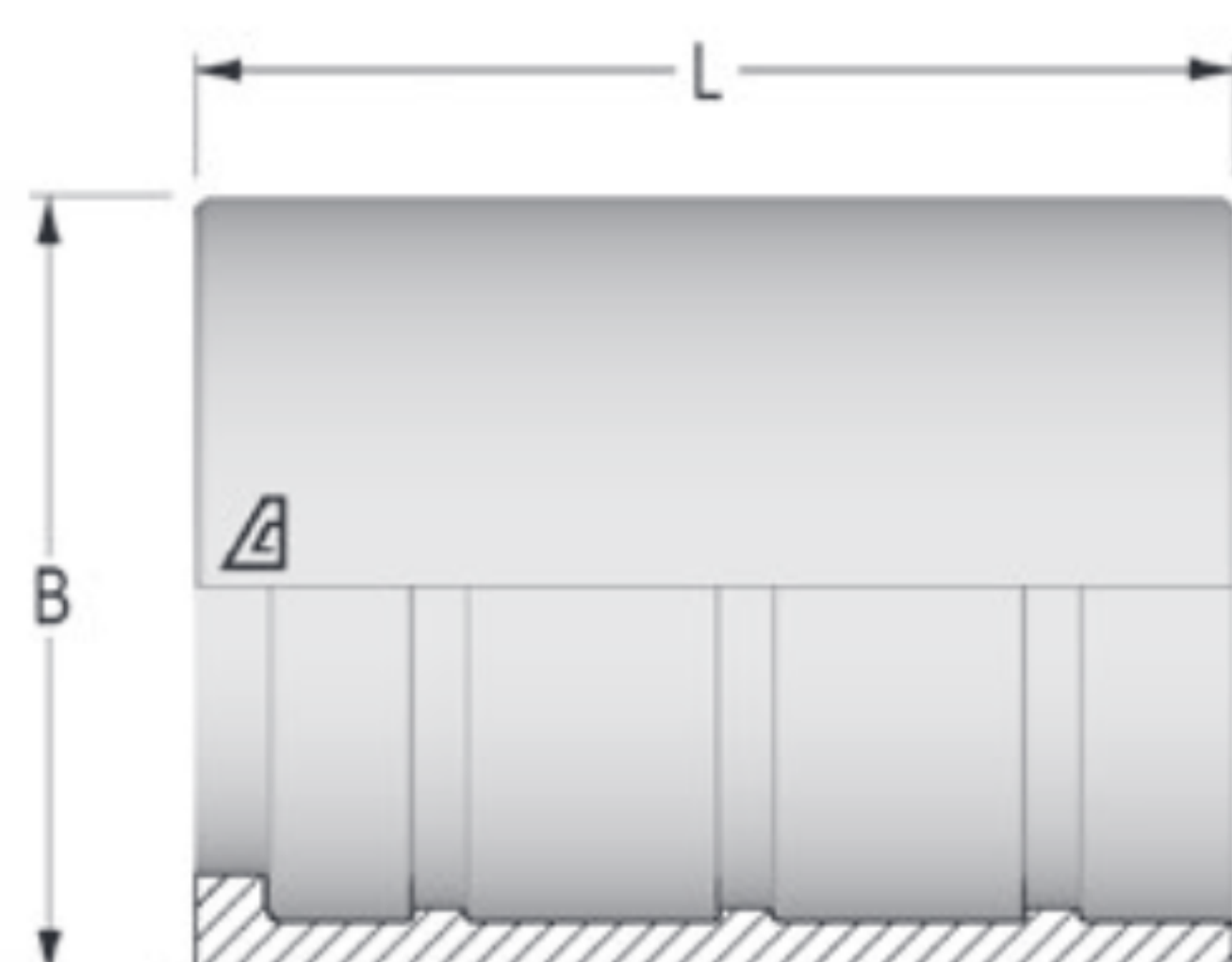


← SCAN OR VISIT  
[KOA.link/  
PF-Ferrules](https://KOA.link/PF-Ferrules)

### PFR3 Series

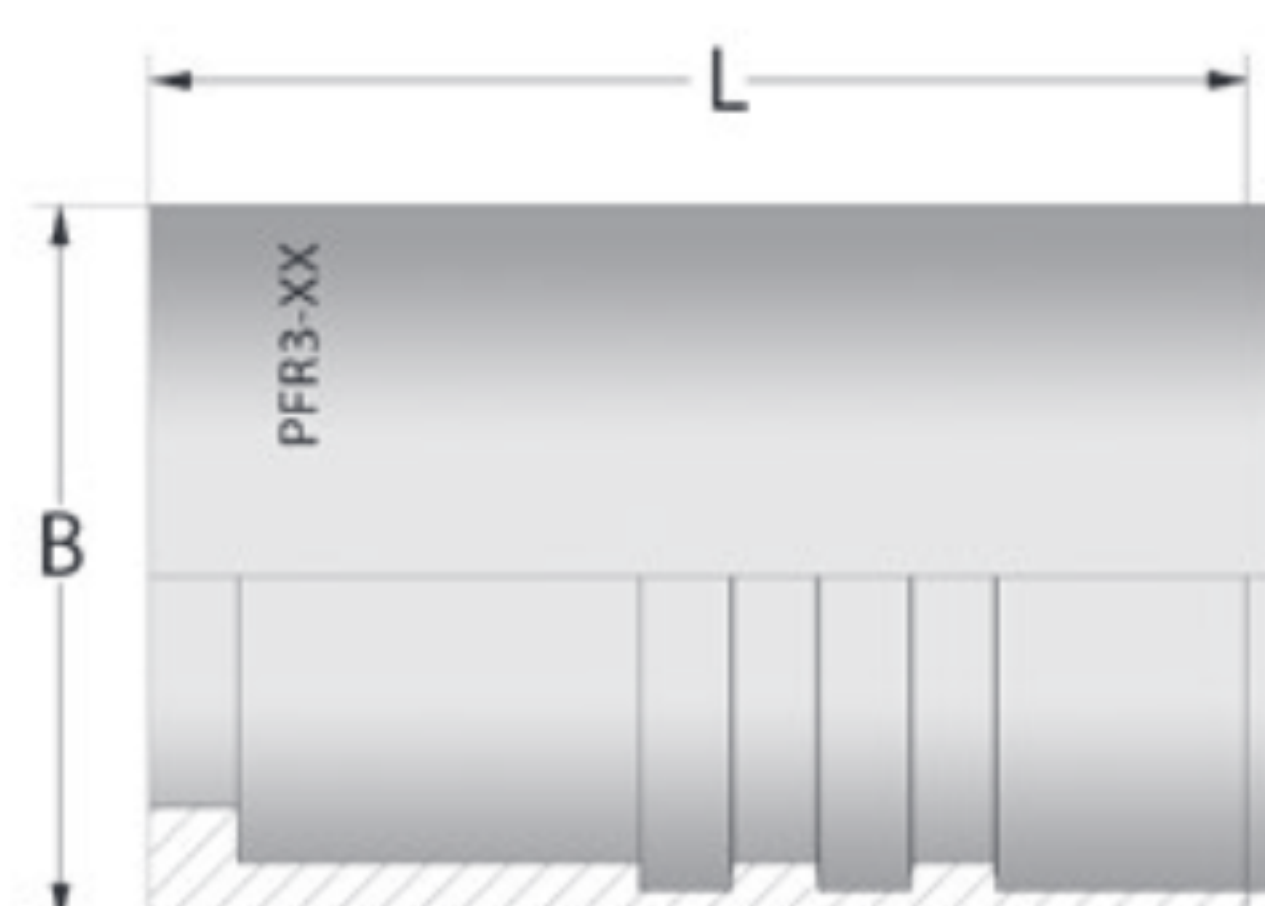


Part Number	Dash Size	Hose ID Size		B OD (mm)	L Length (mm)	Weight Each (lbs)
		(in)	(mm)			
PFR3-04	04	1/4	6.4	14.8	28.9	0.03
PFR3-05	05	5/16	7.9	17.4	28.8	0.04
PFR3-06	06	3/8	9.5	19.0	28.8	0.04
PFR3-08	08	1/2	12.7	23.7	36.3	0.06



### AFX Series

Part Number	Dash Size	Hose ID Size		B OD (mm)	L Length (mm)	Weight Each (lbs)
		(in)	(mm)			
AFX-03	03	3/16	4.8	21	21.5	0.05
AFX-04	04	1/4	6.4	23	24.7	0.07
AFX-05	05	5/16	7.9	25	24.7	0.08
AFX-06	06	3/8	9.5	27	29.7	0.10
AFX-08	08	1/2	12.7	30	30.5	0.11
AFX-10	10	5/8	15.9	34	35.5	0.15
AFX-12	12	3/4	19.0	38	36.0	0.17
AFX-16	16	1	25.4	48	42.5	0.28



### PFR / PFR7 Series

Universal Ferrules for SAE 100R7, 100R8, 100R18 & ANSI 92.2 Hoses (Steel)

Part Number	Dash Size	Hose ID Size		B OD (mm)	L Length (mm)	Weight Each (lbs)
		(in)	(mm)			
PFR-03	03	3/16	4.7	14.9	24.0	0.03
PFR-04	04	1/4	6.4	17.0	29.0	0.04
PFR7-05*	05	5/16	7.9	19.0	29.0	0.04
PFR-06	06	3/8	9.5	19.0	31.0	0.05
PFR-08	08	1/2	12.7	25.4	36.0	0.06
PFR-12	12	3/4	19.1	31.8	45.2	0.11

\* PFR7-05 ferrules are to be used only with SAE 100R7 hoses!


Kuriyama stocks a variety of fittings designed for use with all of our Piranhaflex™ SAE 100R7, 100R8, 100R18 and ANSI 92.2 hoses. For more information contact your nearest Kuriyama warehouse location. Please refer to our latest Kuriyama Hydraulic Connections Catalog for a complete list of available two-piece fittings.

Because we continually examine ways to improve our products, we reserve the right to alter specifications or discontinue products without prior notice.



**ADDITIONAL CARBON STEEL TWO-PIECE FITTINGS FERRULES**



	SAE Female 45° Seat – Double Hex		A-XXXX-FBFS BSP Female Swivel Flat Seat
	Other Configurations Available: A-XXXX-FJ9 (S,M,L) 45° & 90° JIC Female Swivel 37° Seat Solid Bent Tube		
	ORFS Solid Male	Metric Solid Male 24° Seat – DIN 3853 Light & Heavy	
	Other Configurations Available: A-XXXX-F045, A-XXXX-F09 (S,M,L) Straight, 45° & 90° ORFS Female		
	Other Configurations Available: A-XXXX-C612, A-XXXX-C613, A-XXXX-C614, A-XXXX-C616, A-XXXX-C619 Straight, 22°, 30°, 45°, 60° & 90° O-Ring Flange SAE J518 Code 61, 62		Other Configurations Available: A-XXXX-FM4L, A-XXXX-FM9L Straight, 45° and 90° Metric O-Ring Female Swivel 24° Seat – DIN 3865 Light
	Other Configurations Available: A-XXXX-C624, A-XXXX-C629 Straight, 45° & 90° O-Ring Flange SAE J518 Code 62 Solid One Piece		Other Configurations Available: A-XXXX-FM4H, A-XXXX-FM9H Straight, 45° and 90° Metric O-Ring Female Swivel 24° Seat – DIN 3865 Heavy
	C61SF-XX, C62SF-XX Split Flange Clamps SAE J518 Code 61 & 62		Other Configurations Available : A-XXXX-MSP4, A-XXXX-MSP9 Straight, 45° & 90° Metric Standpipe
	A-XXXX-MBPP Hose Mender		MTN-XXLXXXX, MTN-XXHXXXX Nut DIN 24° Light and Heavy
	A-XXXX-MBPT Bite Type Tube Fitting		MBS-XXL, MBS-XXH Double Cutting Ring DIN 24° Light & Heavy
	A-XXXX-HMEN		A-XXXX-FMFS Metric Female French Type
	A-XXXX-FGRT		Other Configurations Available: A-XXXX-KFST, A-XXXX-KF45, A-XXXX-KF90 Komatsu Female Swivel & Straight, 45° & 90° Flanges
	A-XXXX-BBAN BSP Banjo		A-XXXX-FKOS A-XXXX-FPWS Pressure Wash Female (Type K)
	Other Configurations Available: A-XXXX-C624, A-XXXX-C629 Straight, 45° & 90° O-Ring Flange SAE J518 Code 62 Solid One Piece		

Please refer to our latest Kuriyama Hydraulic Connections catalog for a complete list of available two-piece fittings.

Because we continually examine ways to improve our products, we reserve the right to alter specifications or discontinue products without prior notice.