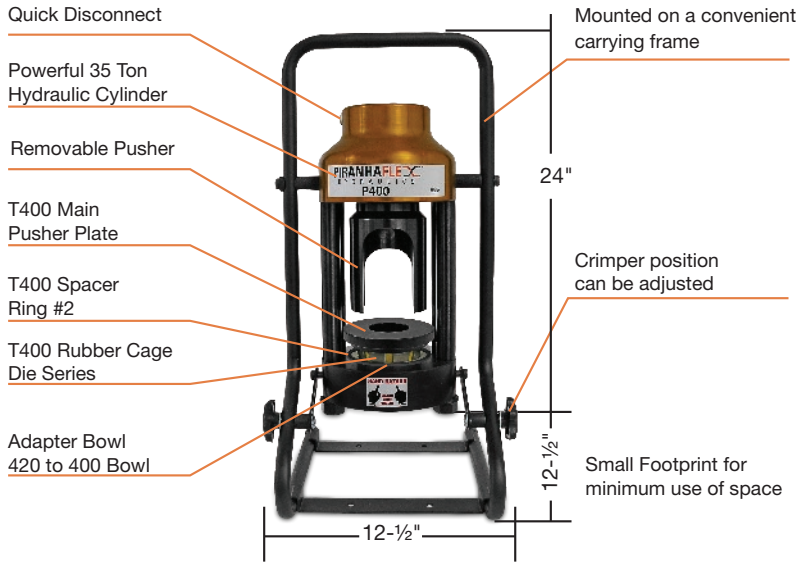


P400 Portable Hose Press



The P400 Portable hose press is light weight making it truly "portable" and can be carried to almost any location where service is required. It can be paired with either a Hand Pump, Pneumatic Pump or Electric Pump, make the perfect combination for shop or portable crimping requirements.

Technical Data
35 Ton
1" - 2 Wire
3/4" - 4SP
L: 12-1/2" x W: 12-1/2" x H: 24"
Weight: 47 lbs
Die Series: PF402 Rubber Caged

ENGINEERED TO ACCOMMODATE YOUR NEEDS

- 35 Tons of crimping force.
- Hose capacity up to 1" 2 wire and 3/4" 4SP.
- Available ValPower® Hand Pump, Pneumatic Pump 10,000 psi or Electric Pump.
- Removable Pusher and 2 piece PF402 rubber caged die set make accurate fitting positioning easy.
- PF402 rubber caged dies sets for heavy duty environments.
- Color-coded die rubber cages for easy identification.
- Base mounting holes allow the crimper to be bench or truck bed mounted if required.

DURABLE, RELIABLE DESIGN = PROFITABILITY

- Crimper position can be adjusted for optimum crimping position or dropped to vertical position for better balance when the crimper is being carried.
- Open design to provide excellent operator visibility.
- Complete range of dies and accessories available.

Pump Options & Accessories:



T420 Micrometer (Available)
P/N:103085



Hand Pump (Available)
P/N:VHP-10-43



Pneumatic Pump (Available)
P/N:VAP-10-100



Electric Pump (Available)
P/N:VEP1001



Die Removal Magnet
(Included) P/N:104679



CRIMPX Die Lubricant: Oil 4 oz bottle with dauber cap
(Included) P/N:103886



CRIMPX Die Lubricant (Available)
Grease 4 oz can with brush
P/N:104162



Die Storage Shelf
(Available) P/N:101431

Because we continually examine ways to improve our products, we reserve the right to alter specifications or discontinue products without prior notice.